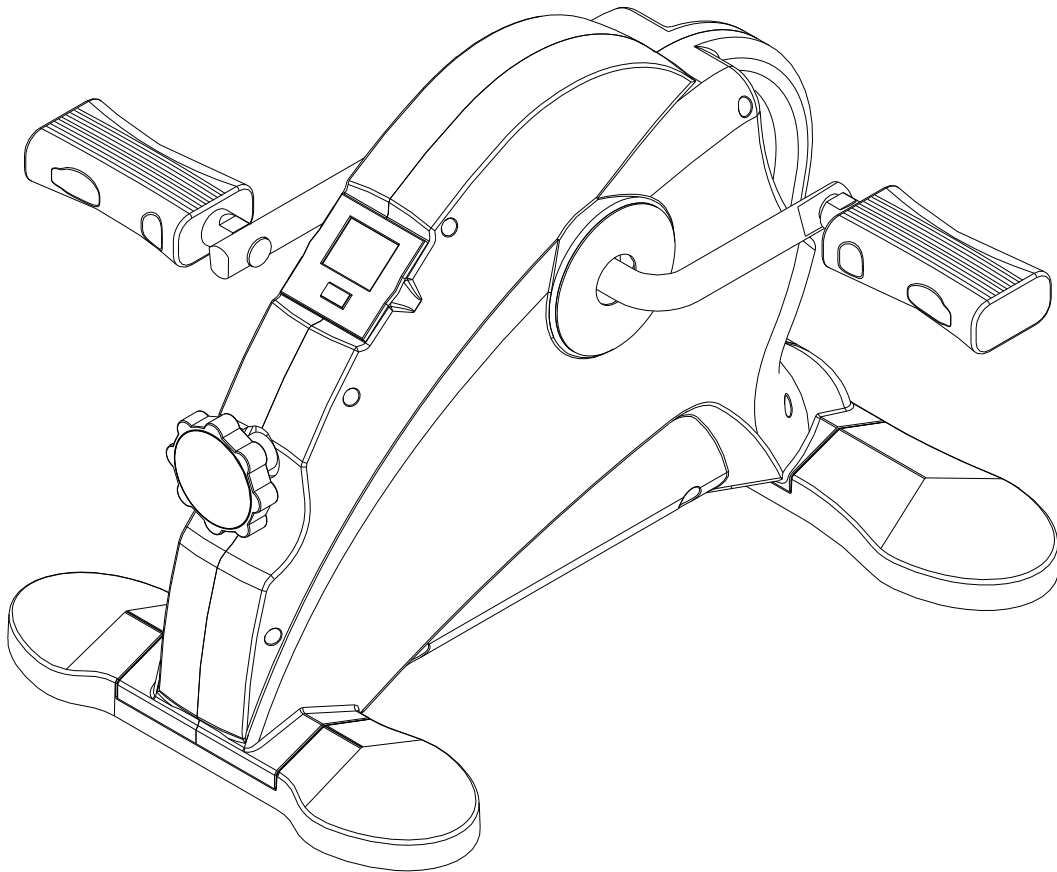




USER MANUAL – EN

IN 10891 Mini Bike inSPORTline Temiste



CONTENTS

IMPORTANT SAFETY NOTICE 3
EXPLODED VIEW 4
PARTS LIST 4
EXERCISE COMPUTER 7
EXERCISE TIPS 8
TERMS AND CONDITIONS OF WARRANTY, WARRANTY CLAIMS 9

IMPORTANT!

Please read all instructions carefully before using this product. Retain this manual for future reference.

IMPORTANT SAFETY NOTICE

PRECAUTIONS

This exercise machine is built for optimum safety. However, certain precautions apply whenever you operate a piece of exercise equipment. Be sure to read the entire manual before you assemble or operate your machine. In particular, note the following safety precautions:

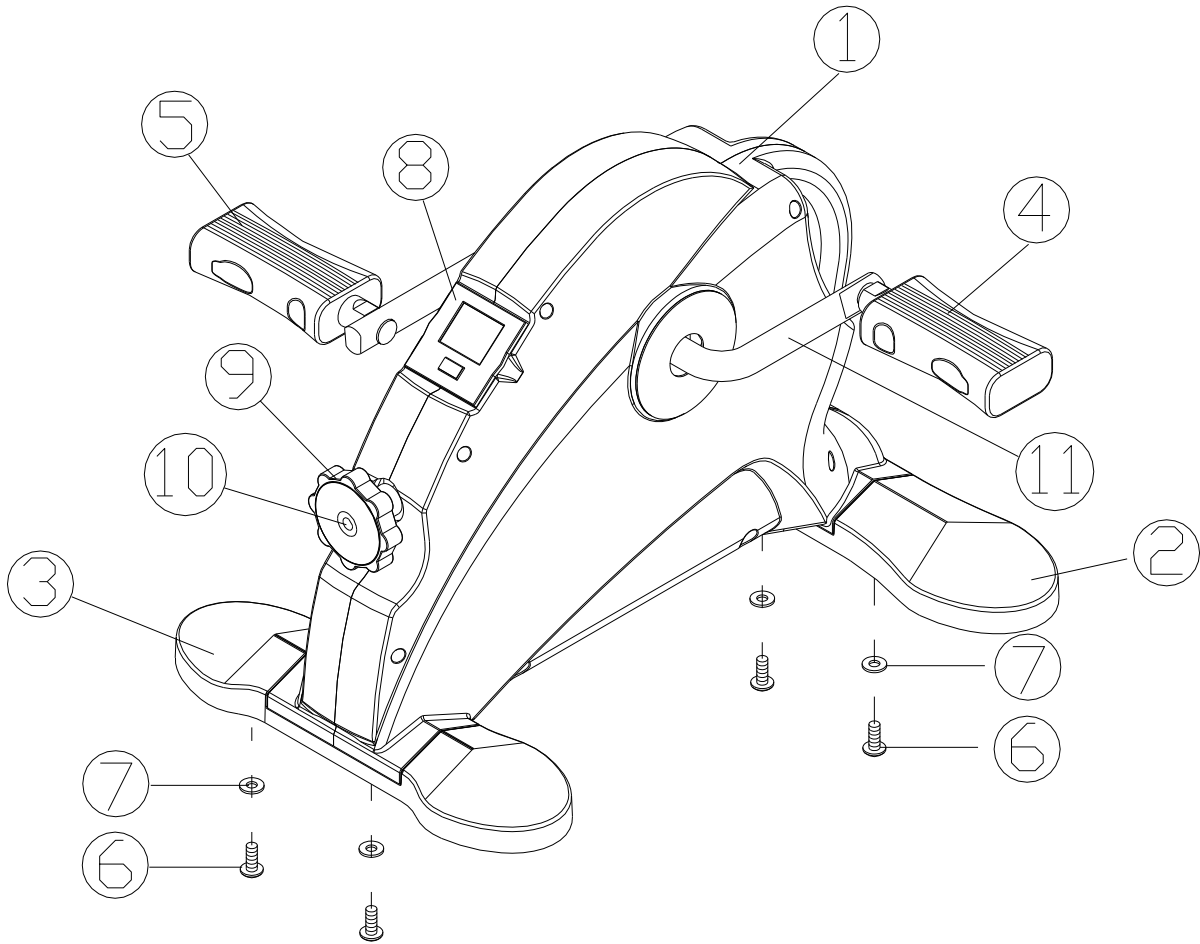
1. Keep children and pets away from the machine at all times. DO NOT leave children unattended in the same room with the machine.
2. Only one person at a time should use the machine.
3. If the user experiences dizziness, nausea, chest pain, or any other abnormal symptoms, STOP the workout at once. CONSULT A PHYSICIAN IMMEDIATELY.
4. Position the machine on a clear, leveled surface. For your own safety, always ensure that there is at least 0.6 meter of free space in all directions around your product while you are exercising. DO NOT use the machine near water or outdoors.
5. Keep hands away from all moving parts.
6. Always wear appropriate workout clothing when exercising. DO NOT wear robes or other clothing that could become caught in the machine. Running or aerobic shoes are also required when using the machine.
7. Use the machine only for its intended use as described in this manual. DO NOT use attachments not recommended by the manufacturer.
8. Do not place any sharp object around the machine.
9. Disabled person should not use the machine without a qualified person or physician in attendance.
10. Before using the machine to exercise, always do stretching exercises to properly warm up.
11. Never operate the machine if the machine is not functioning properly.
12. **Class:** HC (according to EN ISO 20957) for home use.
13. **User weight limit:** 220 LBS / 15.6 Stones / 100 KG or less.

WARNING: BEFORE BEGINNING ANY EXERCISE PROGRAM, CONSULT YOUR PHYSICIAN. FOR INDIVIDUALS OVER THE AGE OF 35 OR PERSONS WITH PRE-EXISTING HEALTH PROBLEMS. READ ALL INSTRUCTIONS BEFORE USING ANY FITNESS EQUIPMENT.

MANUFACTURER ASSUMES NO RESPONSIBILITY FOR PERSONAL INJURY OR PROPERTY DAMAGE SUSTAINED BY OR THROUGH THE USE OF THIS PRODUCT.

SAVE THESE INSTRUCTIONS.

EXPLODED VIEW



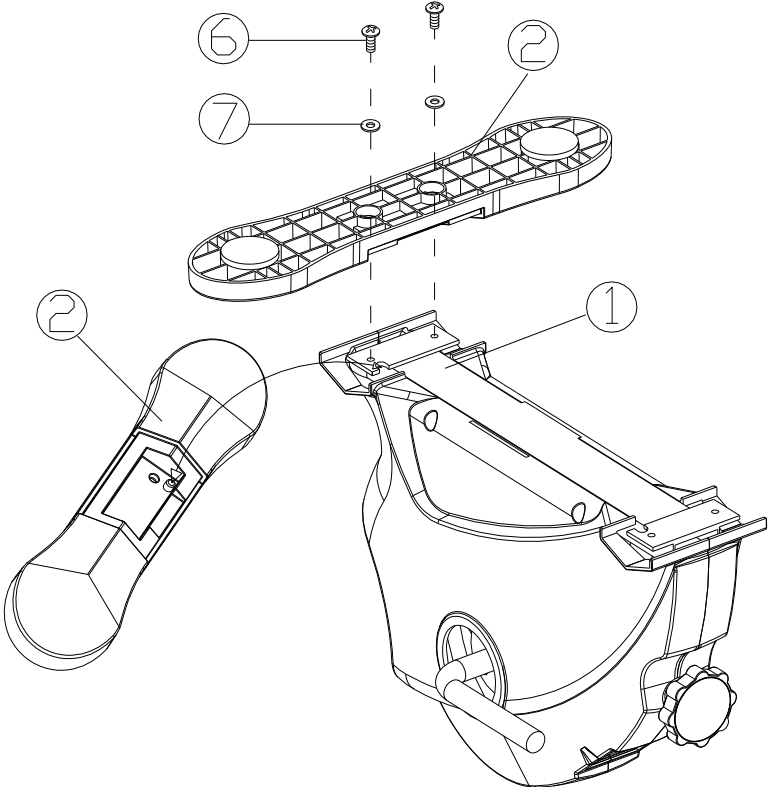
PARTS LIST

NO.	DESCRIPTION	Q'TY
1	Main Body	1
2	Front Stabilizer	1
3	Rear Stabilizer	1
4	Right Pedal	1
5	Left Pedal	1
6	M6 Bolt	4
7	Φ12 Washer	4
8	Computer	1
9	Knob	1
10	Knob Screw	1
11	Crank Arm	1

ASSEMBLY STEPS

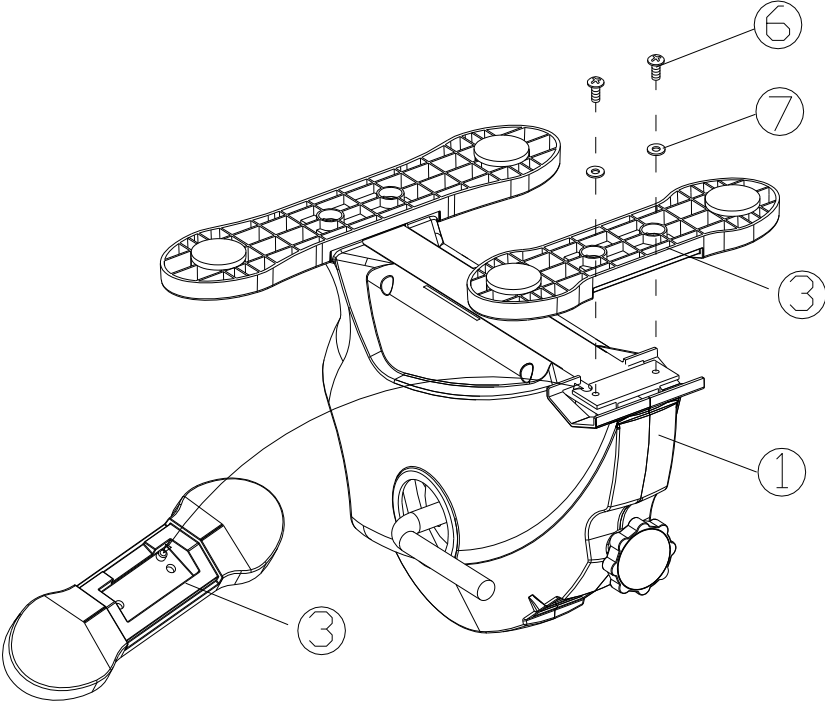
STEP 1:

Fix the Front Stabilizer (2) to the Main Body (1) with 2 sets of M6 Bolts (6) and Ø12 Washers (7).



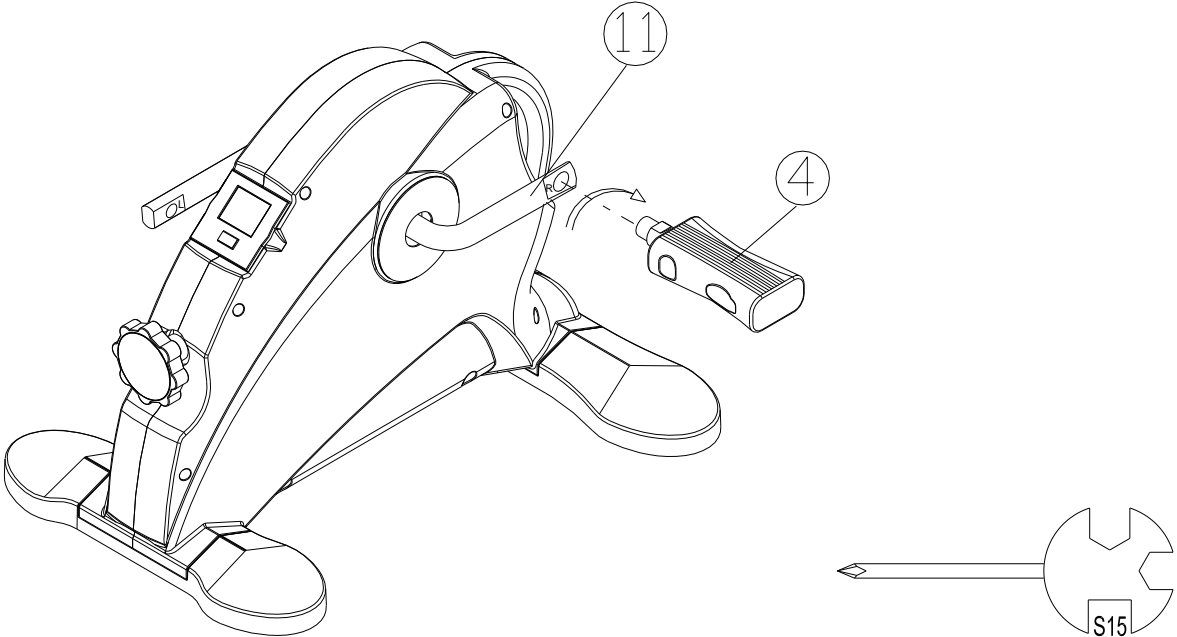
STEP 2:

Fix the Rear Stabilizer (3) to the Main Body (1) with 2 sets of M6 Bolts (6) and Ø12 Washers (7).



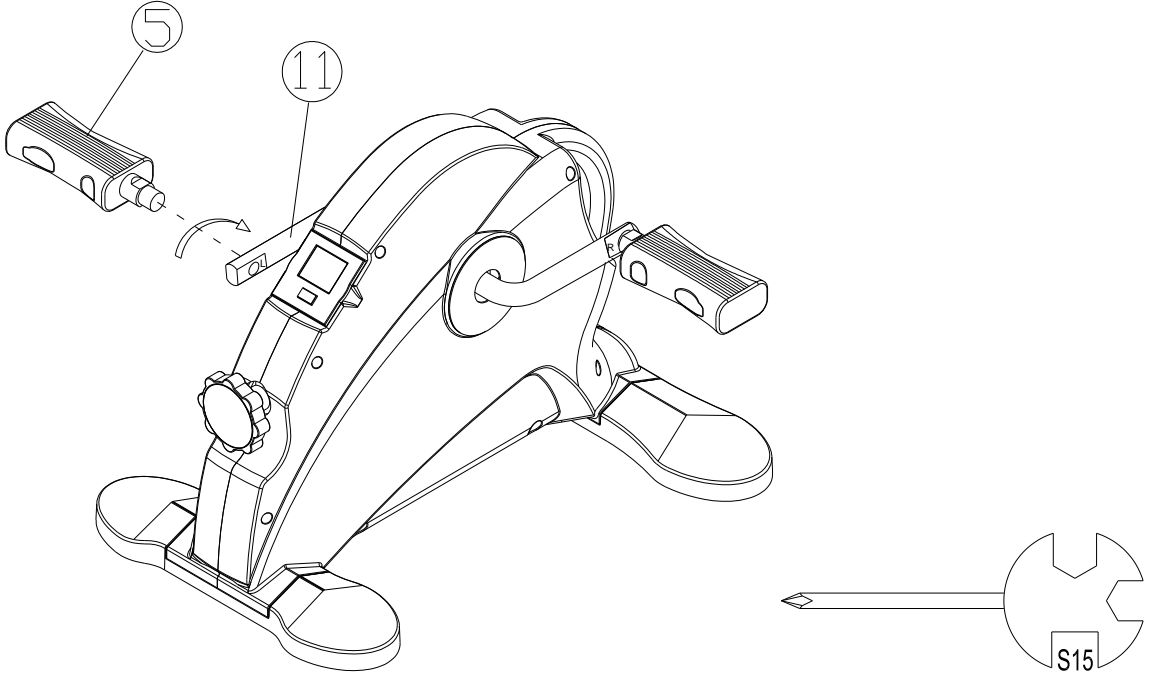
STEP 3:

The Right Pedal (4) is marked "R" on the end of the pedal axle. Connect to the appropriate Crank Arm (11). Note that the right pedal should be threaded on clockwise.

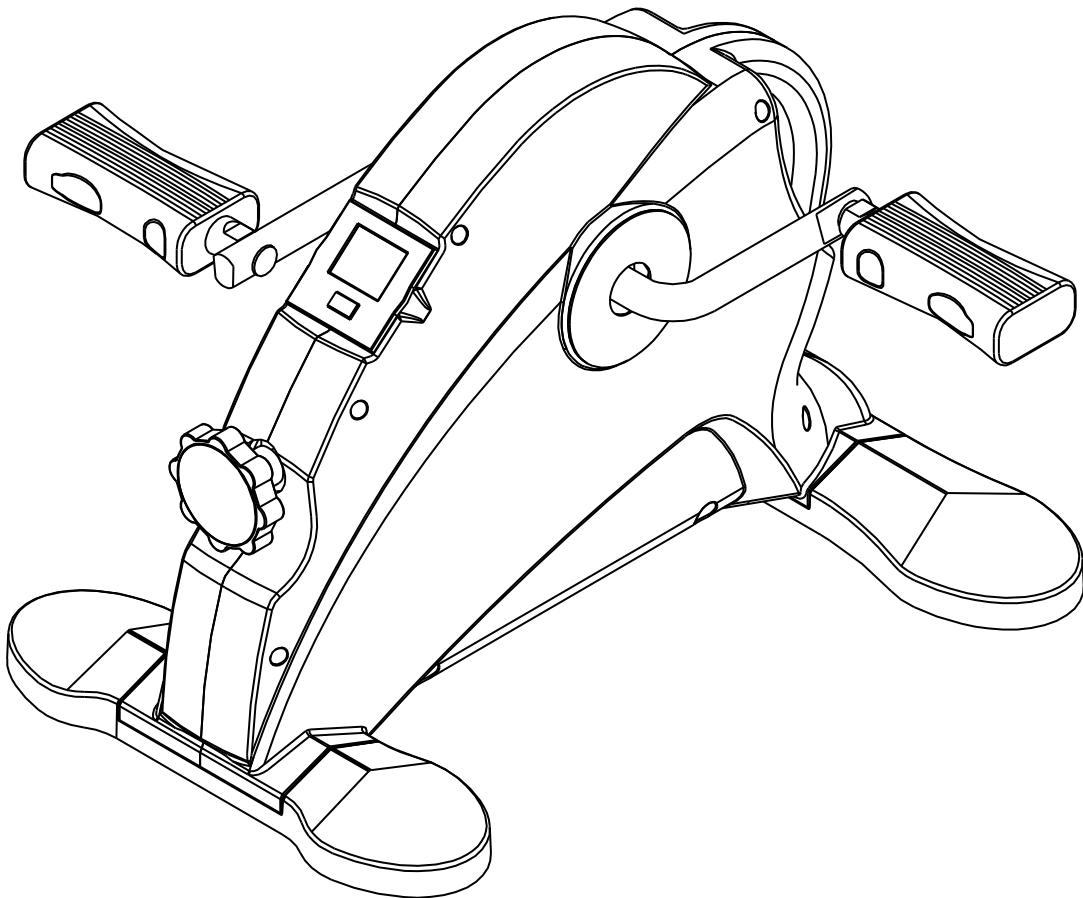


STEP 4:

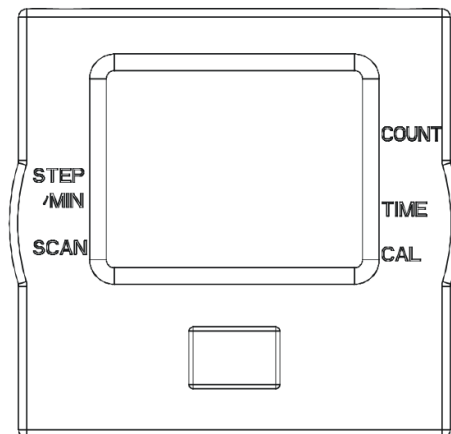
The Left Pedal (5) is marked "L" on the end of the pedal axle. Connect to the appropriate Crank Arm (11). Note that the left pedal should be threaded on anti-clockwise.



Recheck all bolts and nuts are tightened securely before using the machine.



EXERCISE COMPUTER



FUNCTION BUTTON

SCAN: Press “MODE” key to select “scan”, then this function will automatically scans through all the functions displayed on the bottom line of the monitor.

TIME: Automatically accumulates workout time when starting exercise.

COUNT: Accumulates total pedal during working session.

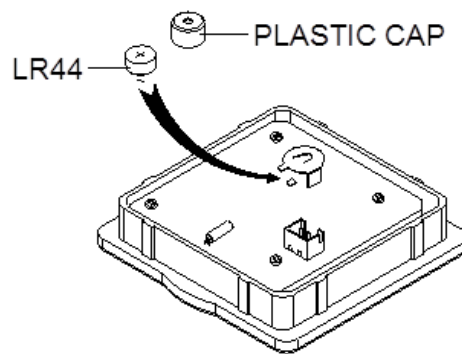
STEP/MIN: Displays the exerciser pedals on the machine per minute.

CAL: Automatically accumulates calories amount consumed when starting exercise.

MODE: To select functions or time, calories, rpm, scan, count. Hold the button for 2 seconds to have a total reset.

NOTE:

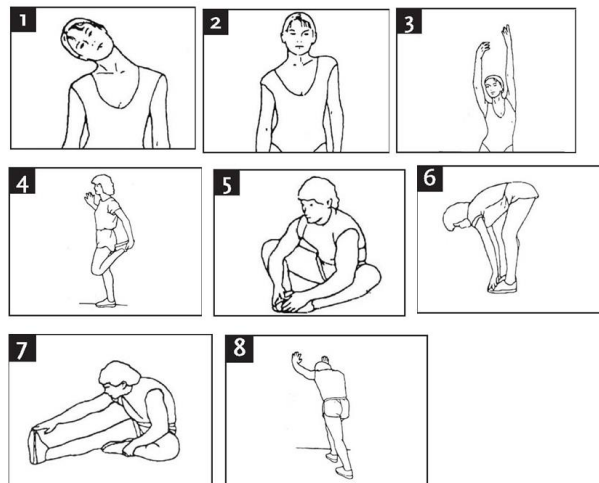
1. If there is a possibility to see an improper display on the monitor, please replace the batteries to have a good result.
2. Please use 1pcs of BUTTON CELL LR44 1.5V batteries as a power supply.
3. The monitor will be automatically shut off if there is no signal coming in for 4 to 5 minutes.
4. The monitor will be auto-powered when start exercise, push button w/signal in.
5. All functions will automatically stop calculating w/a "stop" sign on the upper left corner of the monitor when there is no signal coming in for a period of 4 seconds. The meter will automatically start calculating w/"stop" sign off when taking exercise.
6. The meter will automatically start calculating by simply starting exercising, and will automatically stop calculating when stop exercising for 4 seconds.



EXERCISE TIPS

A successful exercise session begins with warming up exercises and ends with exercises for cooling down and relaxing. These warming up exercises prepare your body for the subsequent demands made upon it. The cooling down/relaxation period after the exercise session ensures that you do not experience any muscular problems. In the following, you will find stretching exercise instructions for warming up and cooling down. Please pay attention to the following points:

- Carefully warm up every muscle group you will be using in the exercise session for about 5 to 10 minutes. The stretching exercises are carried out correctly if you feel a comfortable tension in the corresponding muscle.
- Speed does not play a role during the stretching exercises. Fast and jerky movements must be avoided.



USER INFORMATION RELATED TO THE WEEE



Decree n° 2005-829 of July 20, 2005 relating to the composition of electric and electronic equipment and to the waste disposal resulted from these equipment.

TITLE III

PROVISIONS RELATING TO THE COLLECTION OF HOUSEHOLD WASTE ELECTRIC AND ELECTRONIC EQUIPMENTS

Article 12

Municipalities or their groupings, producers, distributors and coordinating organizations implement the actions that they deem appropriate to inform users of household electric and electronic equipment:

- Of the obligation not to dispose the waste of electric and electronic equipment with unsorted municipal waste; of the collection systems available to them;
- Of the effects on the environment and human health from the presence of dangerous substances in the electric and electronic equipment.

TERMS AND CONDITIONS OF WARRANTY, WARRANTY CLAIMS

General Conditions of Warranty and Definition of Terms

All Warranty Conditions stated hereunder determine Warranty Coverage and Warranty Claim Procedure. Conditions of Warranty and Warranty Claims are governed by Act No. 40/1964 Coll. Civil Code, Act No. 513/1991 Coll., Commercial Code, and Act No. 634/1992 Coll., Consumer Protection Act, as amended, also in cases that are not specified by these Warranty rules.

The seller is SEVEN SPORT s.r.o. with its registered office in Borivojova Street 35/878, Prague 13000, Company Registration Number: 26847264, registered in the Trade Register at Regional Court in Prague, Section C, Insert No. 116888.

According to valid legal regulations it depends whether the Buyer is the End Customer or not.

“The Buyer who is the End Customer” or simply the “End Customer” is the legal entity that does not conclude and execute the Contract in order to run or promote his own trade or business activities.

“The Buyer who is not the End Customer” is a Businessman that buys Goods or uses services for the purpose of using the Goods or services for his own business activities. The Buyer conforms to the General Purchase Agreement and business conditions to the extent specified in the Commercial Code.

These Conditions of Warranty and Warranty Claims are an integral part of every Purchase Agreement made between the Seller and the Buyer. All Warranty Conditions are valid and binding, unless otherwise specified in the Purchase Agreement, in the Amendment to this Contract or in another written agreement.

Warranty Conditions

Warranty Period

The Seller provides the Buyer a 24 months Warranty for Goods Quality, unless otherwise specified in the Certificate of Warranty, Invoice, Bill of Delivery or other documents related to the Goods. The legal warranty period provided to the Consumer is not affected.

By the Warranty for Goods Quality, the Seller guarantees that the delivered Goods shall be, for a certain period of time, suitable for regular or contracted use, and that the Goods shall maintain its regular or contracted features.

The Warranty does not cover defects resulting from:

User's fault, i.e. product damage caused by unqualified repair work, improper assembly, insufficient insertion of seat post into frame, insufficient tightening of pedals and cranks

Improper maintenance

Mechanical damages

Regular use (e.g. wearing out of rubber and plastic parts, joints etc.)

Unavoidable event, natural disaster

Adjustments made by unqualified person

Improper maintenance, improper placement, damages caused by low or high temperature, water, inappropriate pressure, shocks, intentional changes in design or construction etc.

Warranty Claim Procedure

The Buyer is obliged to check the Goods delivered by the Seller immediately after taking the responsibility for the Goods and its damages, i.e. immediately after its delivery. The Buyer must check the Goods so that he discovers all the defects that can be discovered by such check.

When making a Warranty Claim the Buyer is obliged, on request of the Seller, to prove the purchase and validity of the claim by the Invoice or Bill of Delivery that includes the product's serial number, or eventually by the documents without the serial number. If the Buyer does not prove the validity of the Warranty Claim by these documents, the Seller has the right to reject the Warranty Claim.

If the Buyer gives notice of a defect that is not covered by the Warranty (e.g. in the case that the Warranty Conditions were not fulfilled or in the case of reporting the defect by mistake etc.), the Seller is eligible to require a compensation for all the costs arising from the repair. The cost shall be calculated according to the valid price list of services and transport costs.

If the Seller finds out (by testing) that the product is not damaged, the Warranty Claim is not accepted. The Seller reserves the right to claim a compensation for costs arising from the false Warranty Claim.

In case the Buyer makes a claim about the Goods that is legally covered by the Warranty provided by the Seller, the Seller shall fix the reported defects by means of repair or by the exchange of the damaged part or product for a new one. Based on the agreement of the Buyer, the Seller has the right to exchange the defected Goods for a fully compatible Goods of the same or better technical characteristics. The Seller is entitled to choose the form of the Warranty Claim Procedures described in this paragraph.

The Seller shall settle the Warranty Claim within 30 days after the delivery of the defective Goods, unless a longer period has been agreed upon. The day when the repaired or exchanged Goods is handed over to the Buyer is considered to be the day of the Warranty Claim settlement. When the Seller is not able to settle the Warranty Claim within the agreed period due to the specific nature of the Goods defect, he and the Buyer shall make an agreement about an alternative solution. In case such agreement is not made, the Seller is obliged to provide the Buyer with a financial compensation in the form of a refund.



SEVEN SPORT s.r.o.

Registered Office:	Borivojova 35/878, 130 00 Praha 3, Czech Republic
Headquarters:	Delnicka 957, 749 01 Vitkov, Czech Republic
Warranty & Service Centre:	Cermenska 486, 749 01 Vitkov, Czech Republic
CRN:	26847264
VAT ID:	CZ26847264
Phone:	+420 556 300 970
E-mail:	eshop@insportline.cz reklamace@insportline.cz servis@insportline.cz
Web:	www.insportline.cz

SK

INSPORTLINE s.r.o.

Headquarters, Warranty & Service centre: Elektrická 6471, 911 01 Trenčín, Slovakia

CRN: 36311723

VAT ID: SK2020177082

Phone: +421(0)326 526 701

E-mail: objednavky@insportline.sk

reklamacie@insportline.sk

servis@insportline.sk

Web: www.insportline.sk

Date of Sale:

Stamp and Signature of Seller: