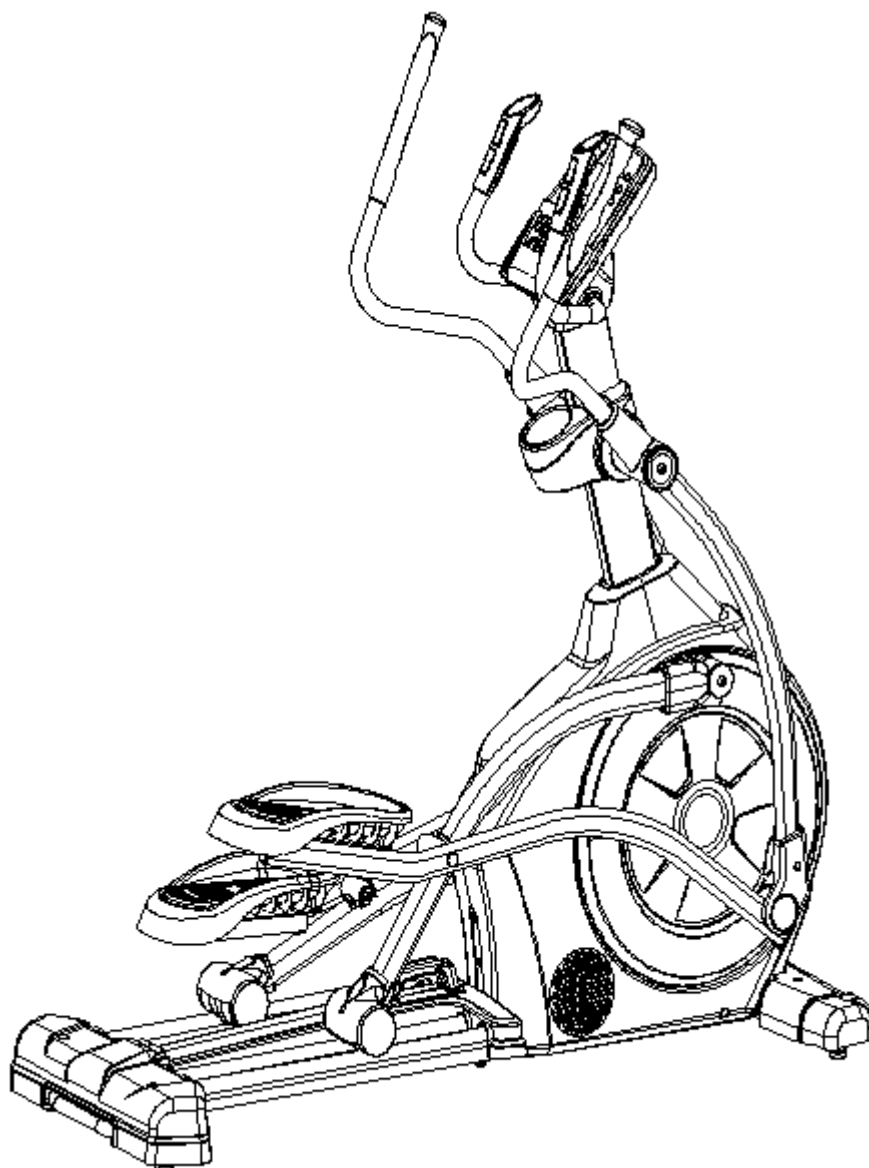




USER MANUAL – EN

IN 21341 Elliptical inSPORTline inCondi ET660i II



CONTENTS

- SAFETY INSTRUCTIONS..... 3
- IMPORTANT NOTES 3
- ASSEMBLY 4
- INCLINE ADJUSTMENT 9
- CONSOLE 9
 - USE..... 12
- APPLICATION ME PANEL..... 17
- USE OF ELECTRICAL TRAINER 21
- THE WARM UP PHASE 21
- MAINTENANCE 22
- DIAGRAM 23
- PARTS LIST 24
- ENVIRONMENT PROTECTION 25
- TERMS AND CONDITIONS OF WARRANTY, WARRANTY CLAIMS..... 25

SAFETY INSTRUCTIONS

- Read the manual carefully and keep it for future reference.
- To ensure the best safety of the exerciser, regularly check it on damages and worn parts.
- If you pass on this exerciser to another person or if you allow another person to use it, make sure that that person is familiar with the content and instructions in these instructions.
- Only one person should use the exerciser at a time.
- Before the first use and regularly make sure that all screws, bolts and other joints are properly tightened and firmly seated.
- Before you start your work-out, remove all sharp-edged objects around the exerciser.
- Only use the exercise for your work-out if it works flawlessly.
- Any broken, worn or defective part must immediately be replaced and/or the exerciser must no longer be used until it has been properly maintained and repaired.
- Parents and other supervisory persons should be aware of their responsibility, due to situations which may arise for which the exerciser has not been designed and which may occur due to children's natural play instinct and interest in experimenting.
- If you do allow children to use this exerciser, be sure to take into consideration and assess their mental and physical condition and development, and above all their temperament. Children should use the exerciser only under adult supervision and be instructed on the correct and proper use of the exerciser. The exerciser is not a toy.
- For your own safety, always ensure that there is at least 0.6 meter of free space in all directions around your product while you are exercising.
- To avoid possible accidents, do not allow children to approach the exerciser without supervision, since they may use it in a way for which it is not intended due to their natural play instinct and interest in experimenting.
- Please note that an improper and excessive work-out may be harmful to your health.
- Please note that levers and other adjustment mechanisms are not projecting into the area of movement during the work-out.
- When setting up the exerciser, please make sure that the exerciser is standing in a stable way and that any possible unevenness of the floor is evened out.
- Always wear appropriate clothing and shoes which are suitable for your work-out on the exerciser. The clothes must be designed in a way so that they will not get caught in any part of the exerciser during the work-out due to their form (for example, length). Be sure to wear appropriate shoes which are suitable for the work-out, firmly support the feet and which are provided with a non-slip sole.
- Be sure to consult a physician before you start any exercise program. He may give you proper hints and advice with respect to the individual intensity of stress for you as well as to your work-out and sensible eating habits.
- **Weight limit:** 150 kg
- **WARNING!** The heart rate monitor may not be accurate. Overloading during training may cause serious injury or death. If you feel any discomfort, immediately stop the exercise!
- **Category:** SC for professional and commercial use (according to EN 957)

IMPORTANT NOTES

- Assemble the exerciser as per assembly instructions and be sure to only use the structural parts provided with the exerciser and designed for it. Prior to the assembly, make sure the

contents of the delivery is complete by referring to the parts list of the assembly and operating instructions.

- Be sure to set up the exerciser in a dry and even place and always protect it from humidity. If you wish to protect the place particularly against pressure points, contamination, etc., it is recommended to put a suitable, non-slip mat under the exerciser.
- The general rule is that exercisers and training devices are no toys. Therefore, they must only be used by properly informed or instructed persons.
- Stop your work-out immediately in case of dizziness, nausea, chest pain or any other physical symptoms. In case of doubt, consult your physician immediately.
- Children, disabled and handicapped persons should use the exercise only under supervision and in presence of another person who may give support and useful instructions.
- Be sure that your body parts and those of other persons are never close to any moving parts of the exerciser during its use.
- When adjusting the adjustable parts, make sure they are adjusted properly and note the marked, maximum adjusting position, for example of the saddle support, respectively.
- Do not work out immediately after meals!

ASSEMBLY

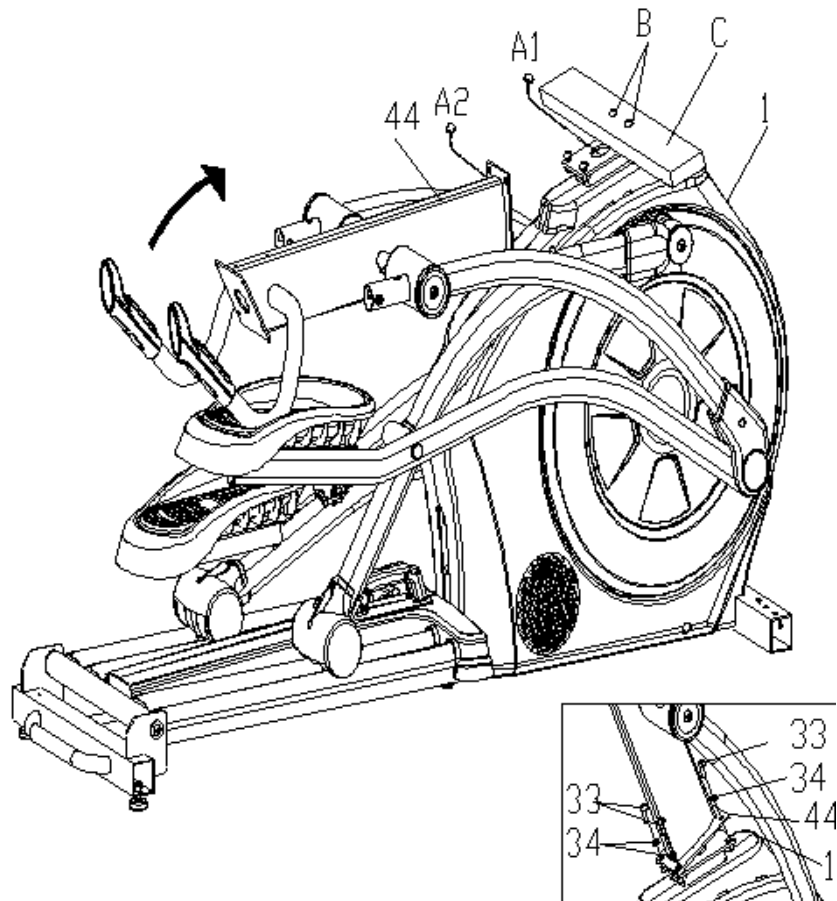
Make sure you have enough free space before assembly.

Before assembly, make sure you have all the parts, and none are missing.

STEP 1

Remove the attached plate (C) by unscrewing the two screws (B) on the front of the main frame (1). The plate and screws are not required for the next steps.

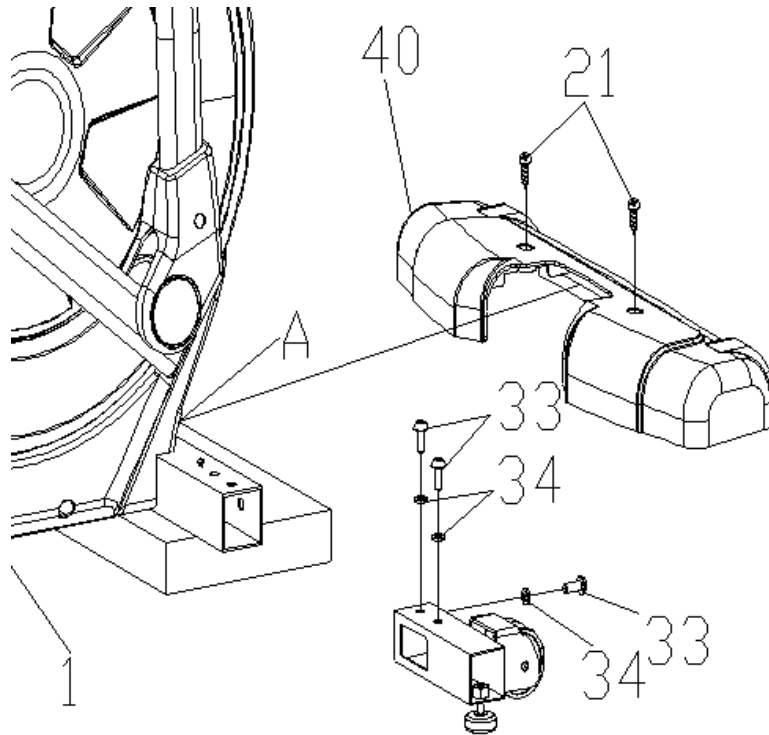
Lift the post (44) in the direction of the arrow in the figure as close as possible to the main frame (1). One person holds the post and the other connects the cables (A1 and A2). Then insert the cable into the main frame (1). Secure the post with the screws (33) and washers (34).



STEP 2

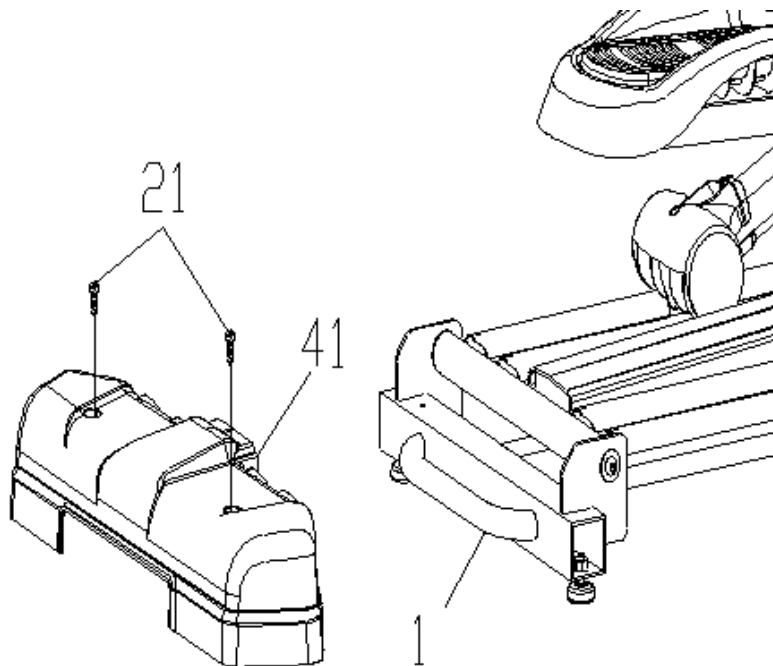
The main frame (1) is supported by the packing material (A). There are 3 bolts (33) and 3 washers (34) on the right and left stabilizer (3, 2) with foot. The screws (21) are screwed in front of the main frame (1). Unscrew these screws and keep them, the screws are still used. Attach the right and left stabilizer with foot (3, 2) to the main frame (1) with 3 screws (33) and 3 washers (34) on each side.

Remove the packing material (A) under the main frame (1). Attach the front rail cover (40) to the main frame (1) with 2 screws (21).



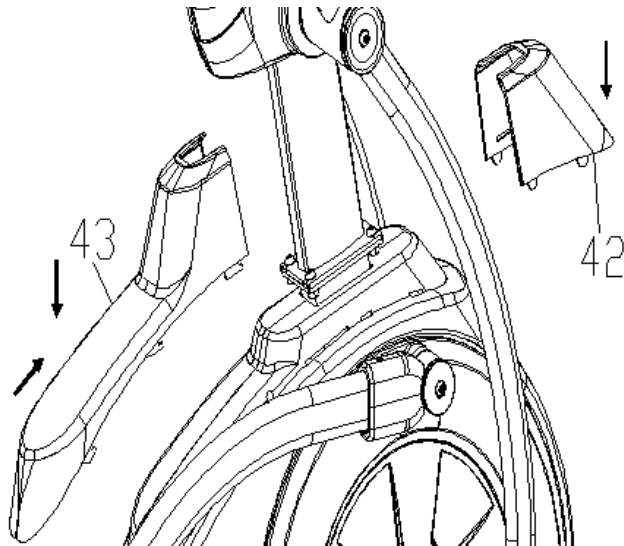
STEP 3

Remove the 2 screws (21) from the main frame and attach the rear stabilizer cover with the 2 screws (21).



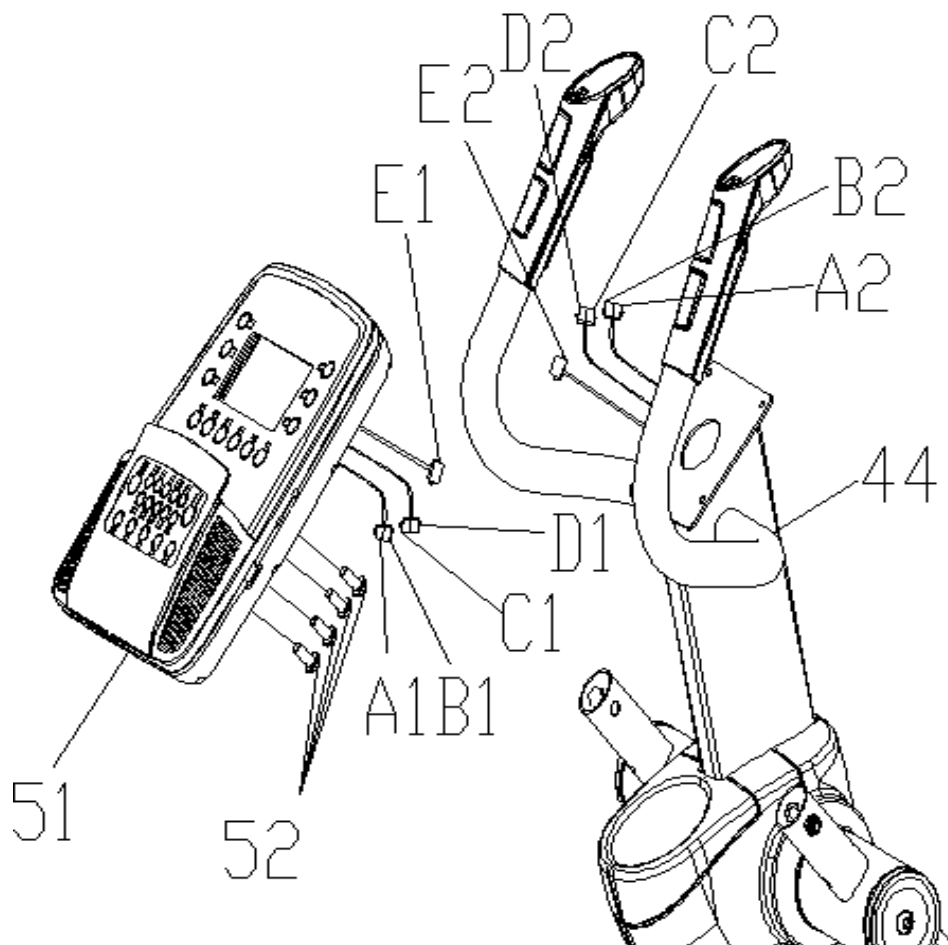
STEP 4

Attach the chain guards (42 and 43) to the main frame (1) as shown.



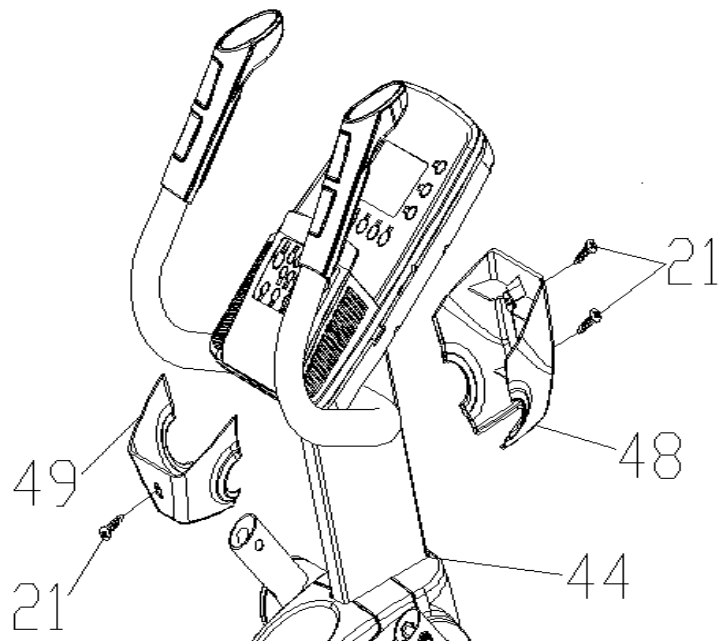
STEP 5

Connect the console cables (51) as shown. Connect the cables (A1 - A2), (B1 - B2), (C1 - C2), (D1 - D2), (E1 - E2) and plug the excess cables into the post (44). Then attach the console (51) to the post (44) with 4 screws (52).



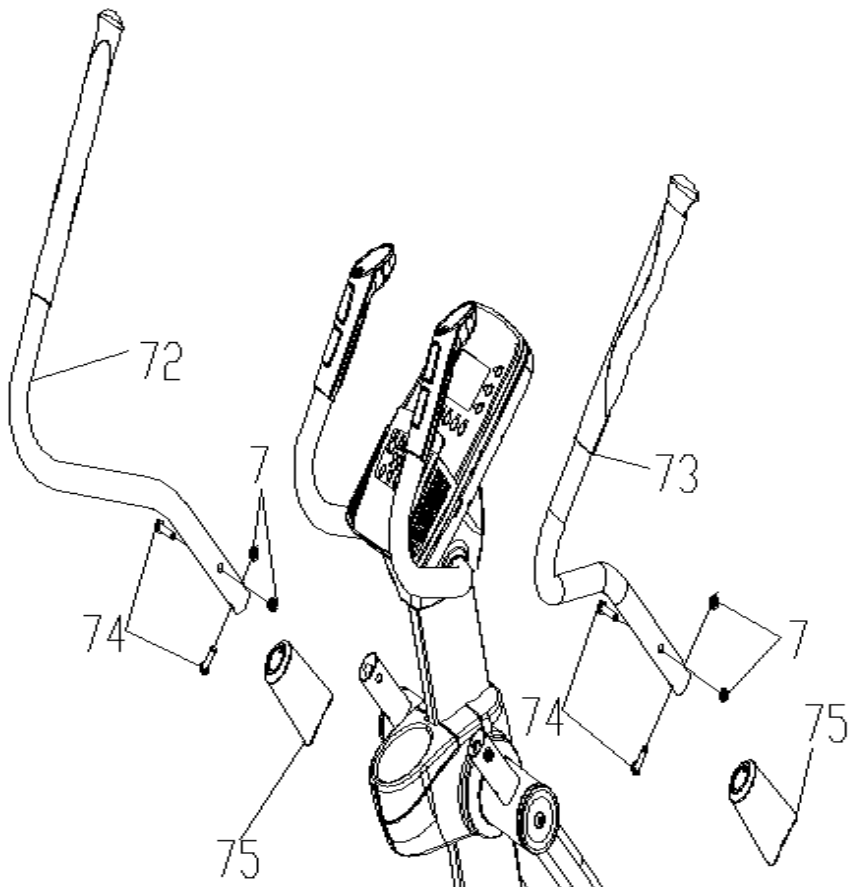
STEP 6

Remove the 3 screws (21) from the post (44). Then attach the covers (48 and 49) to the post with 3 screws (21).



STEP 7

Remove the 4 screws (74) and 4 nuts (7) from the left and right handlebars (72 and 73). Install the covers (75) on the left and right handlebars (72 and 73). Then attach the left and right handlebars with the screws (74) and nuts (7). Then slide the covers (75) down.



INCLINE ADJUSTMENT

You can adjust pedal's incline with handle. You can choose from levels 1 – 5.



CONSOLE

Console contains 21 programs:

1 Manual program	
10 presets programs	
P1: Rolling	P2: Valley
P3: Fat burn	P4: Ramp



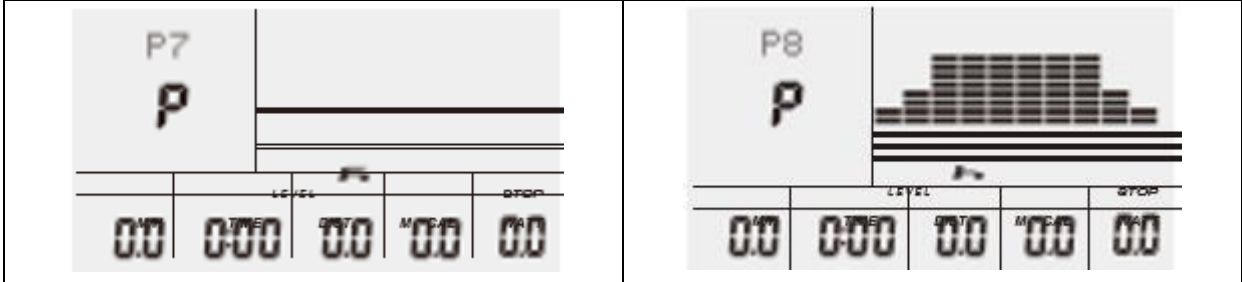
P5: Mountain

P6: Interval



P7: Cardio

P8: Endurance

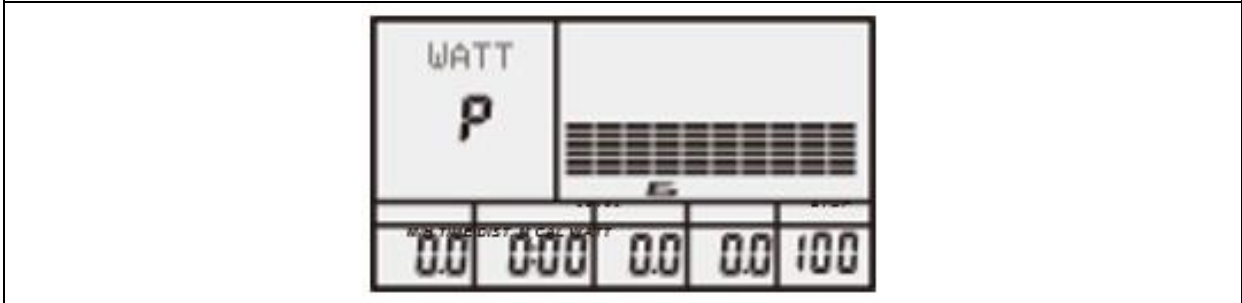


P9: Slope

P10: Rally



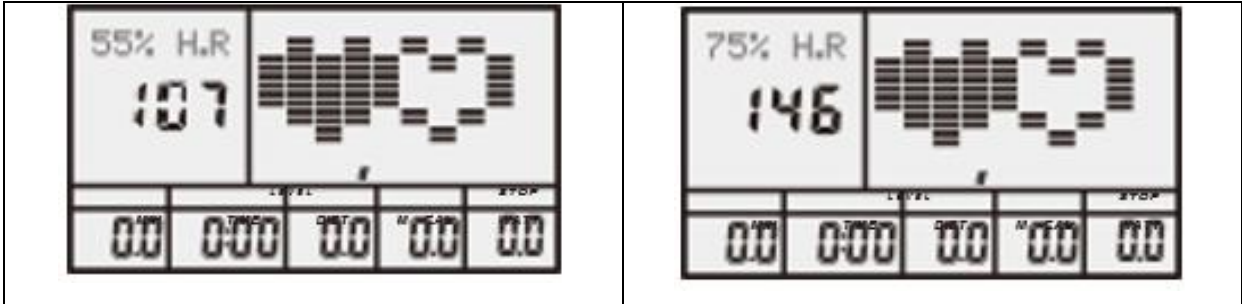
WATT program



HRC program

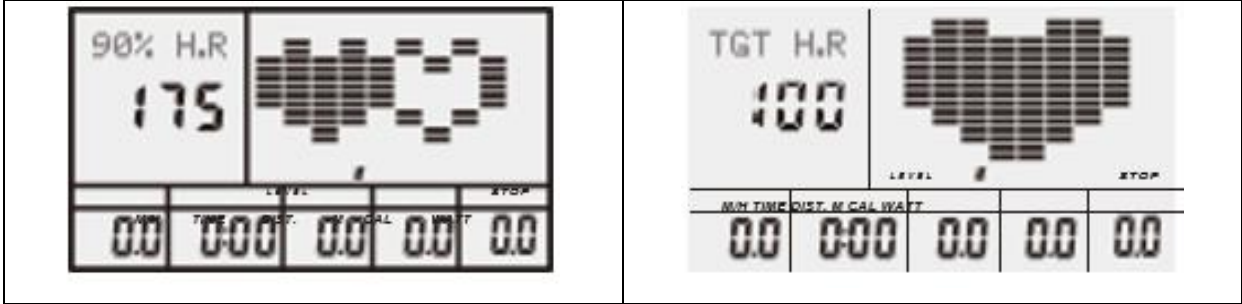
55% H.R

75% H.R

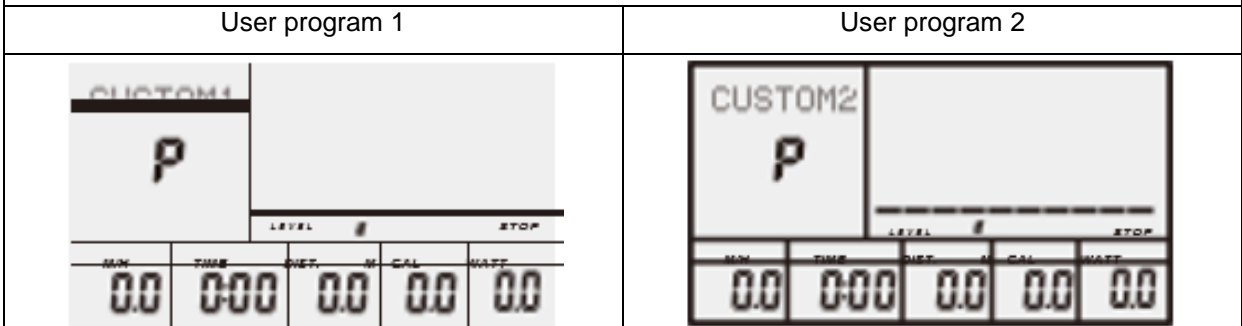


90% H.R

TARGET H.R



User programs 1 - 4



User program 3

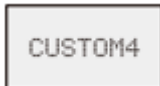
User program 4



BODY FAT



Gender, height, weight, and age data are saved even when you disconnect the device.



The dot display shows the current status.



The heart rate is displayed.

Speed, RPM, time, distance, power, WATT, pulse, level are displayed at the same time.

The console will automatically shut down if the console does not receive the signal for 4 minutes.

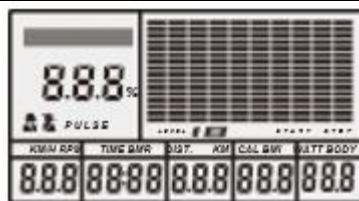
BUTTONS

ENTER	<p>If no program is running (the display shows STOP), press ENTER to enter the program selection</p> <ol style="list-style-type: none"> 1. When selecting a program, press ENTER to confirm the program 2. When setting values in the setting, press ENTER to confirm the setting <p>When a program is running (the display shows START), you can use the ENTER key to toggle between the displayed SPEED, RPM, or alternate display.</p>
START/STOP	<p>Press to pause or start the program</p> <p>In any mode, hold down the button for 2 seconds to restart the console</p>
UP	Use the button to select the program above or increase the value (if the button is a rotary knob, turn clockwise)
DOWN	Use the button to select the program below or decrease the value (if the button is a rotary knob, turn counterclockwise)
PULSE RECOVERY	<p>First test that the device detects your current heart rate, then press to start the recovery test</p> <p>Press the button repeatedly to end the test</p>
RESET (if available)	<p>In the settings you can return the values to the factory settings</p> <p>Hold down the button for 2 seconds to restart the console</p>

USE

A. TURN ON

Plug the device into the power outlet, the console will start up, a beep will sound and enter the home screen (Pic. 24)

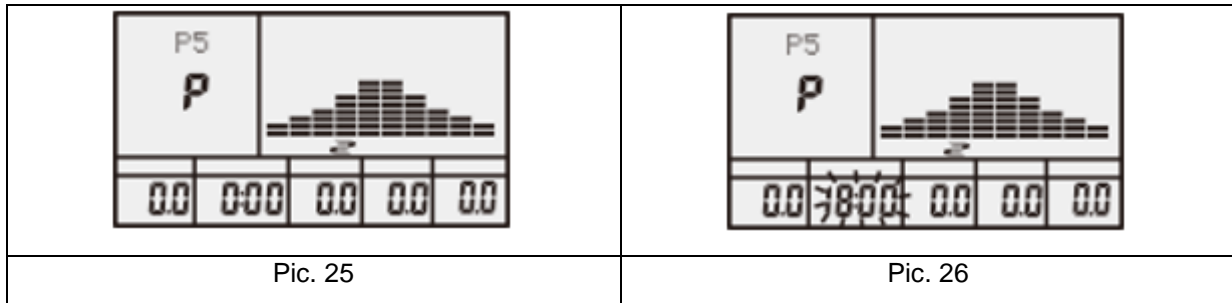


Pic. 24

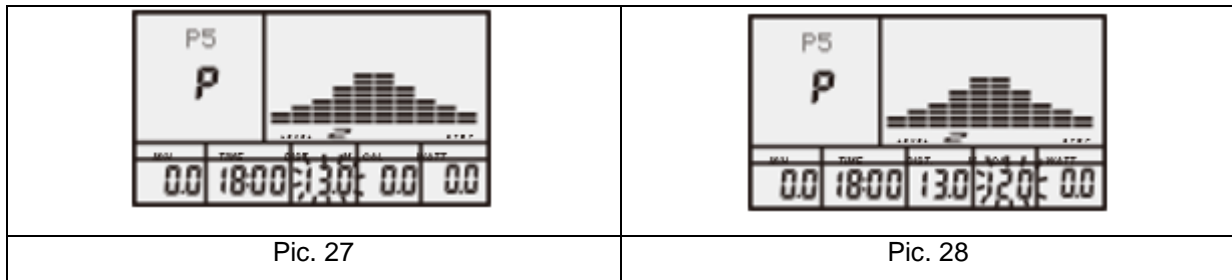
B. PROGRAM SELECTION

Manual program or preset programs P1-P10

1. Select a program using the navigation buttons UP / DOWN (Pic. 25)
2. Press ENTER to confirm your selection and enter the time setting
3. TIME starts flashing and use UP / DOWN navigation buttons to set the value, then press ENTER to confirm (Pic. 26)



- Then set DISTANCE using the UP / DOWN navigation buttons to set the value, then press ENTER to confirm (Pic. 27)
- Then set CALORIES using the UP / DOWN navigation buttons to set the value, then confirm with ENTER (Pic. 28)



- Press START / STOP to start the program.

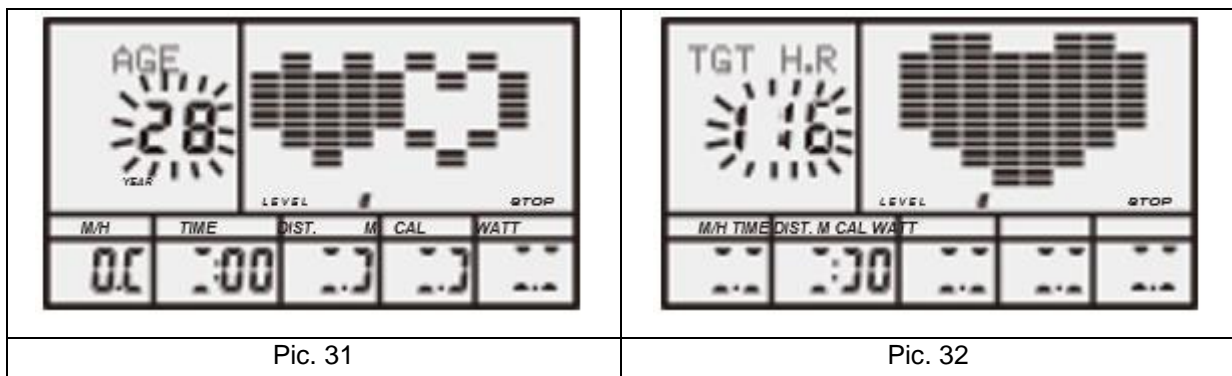
NOTE: In the WATT program, the load is set by torque and RPM. The WATT value will remain the same if you pedal fast, the load will decrease and if you pedal slowly, the load will increase

C. HRC PROGRAM

Values 55 %, 75 % a 90 %

The maximum value depends on age

- Select the heart rate control program
- Confirm with ENTER and set the time
- Use the navigation buttons to set the time and confirm with ENTER, then set the distance
- Use the navigation buttons to set the distance and confirm with ENTER, then set the calories burned
- Use the navigation buttons to set the desired calories burned and confirm with ENTER, then set the age
- Use the navigation buttons to set the age and confirm with ENTER
- Then the program sets the appropriate value according to the set age
- Press START / STOP to start the program



D. TARGET HEART RATE

The user can set his own heart rate value

1. Choose TARGET HEART RATE
2. Confirm with ENTER and set the time
3. Use the navigation buttons to set the time and confirm with ENTER, then set the distance
4. Use the navigation buttons to set the distance and confirm with ENTER, then set the calories burned
5. Use the navigation buttons to set the desired calories burned and confirm with ENTER, then set the target heart rate
6. Use the navigation buttons to set the target heart rate and confirm with ENTER

Press START / STOP to start the program

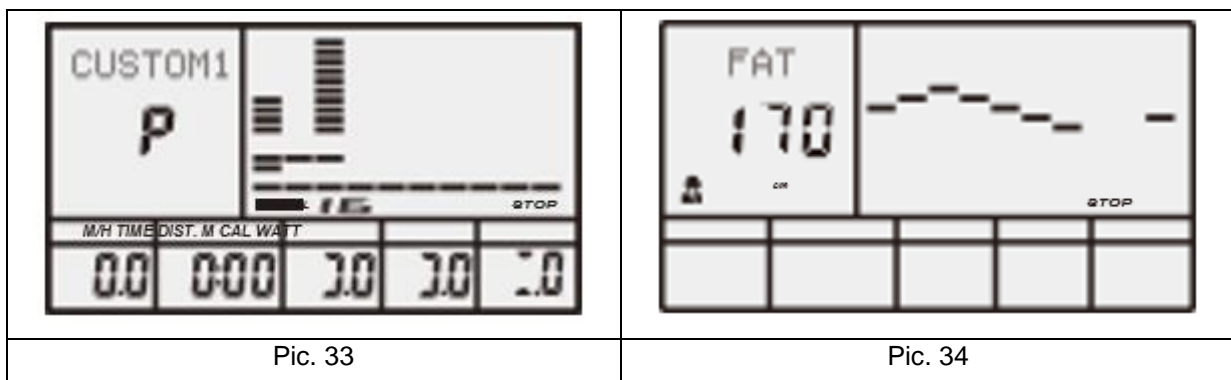
NOTE: Heart rate depends on speed and exercise. If the heart rate is higher than the set value, the load is reduced. If the heart rate is lower than the specified value, the load will increase.

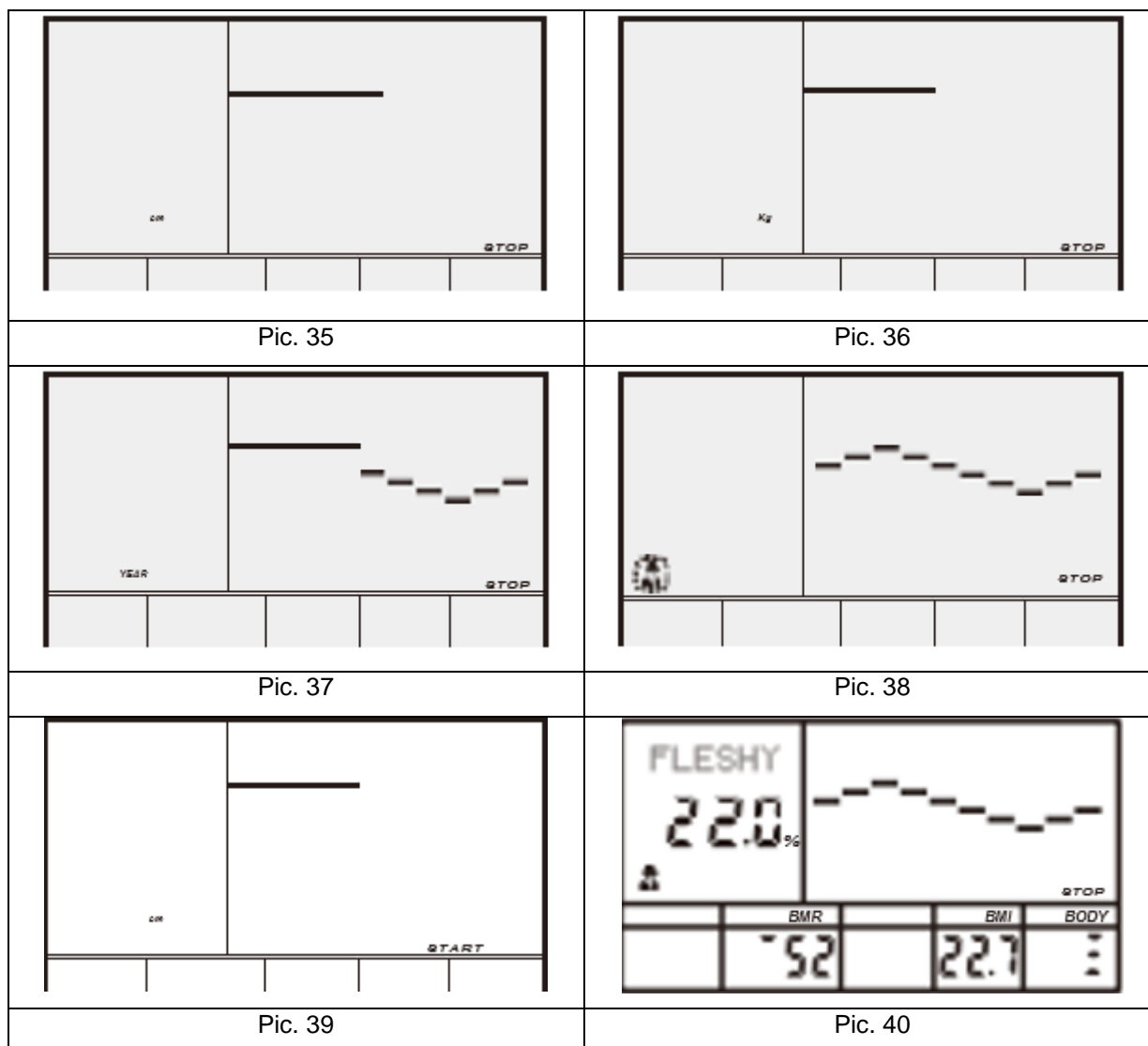
USER PROGRAMS (CUSTOM 1 – CUSTOM 4)

1. Use the navigation keys to select a user.
2. Confirm with ENTER and set the time.
3. Use the navigation buttons to set the time and confirm with ENTER, then set the distance
4. Use the navigation buttons to set the distance and confirm with ENTER, then set the calories burned
5. Use the navigation buttons to set the desired calories burned and confirm with ENTER, then set the load
6. Use the navigation buttons to set the load on all parts, always press ENTER to confirm.
7. Press START / STOP to start the program

E. BODY FAT MEASUREMENT PROGRAM

1. Use the navigation keys to select the BODY FAT TEST program (Pic. 34)
2. Confirm with ENTER
3. Use the navigation keys to adjust the height and confirm with ENTER (Pic. 35)
4. Use the navigation keys to set the weight and confirm with ENTER (Pic. 36)
5. Use the navigation keys to set the age and confirm with ENTER (Pic. 37)
6. Use the navigation keys to set the gender and confirm with ENTER (Pic. 38)
7. Press START / STOP to start the program





NOTE: Grasp both body pulse plates. FAT%, BMR, BMI and body status results are displayed. (Pic. 40).

FAT%: Body fat measured in %.

BMR: Metabolism

BMI: Body mass index

If the pulse pads do not work properly and do not transmit a signal during the measurement, ERROR2 is displayed. Press START / STOP and try running the test again.

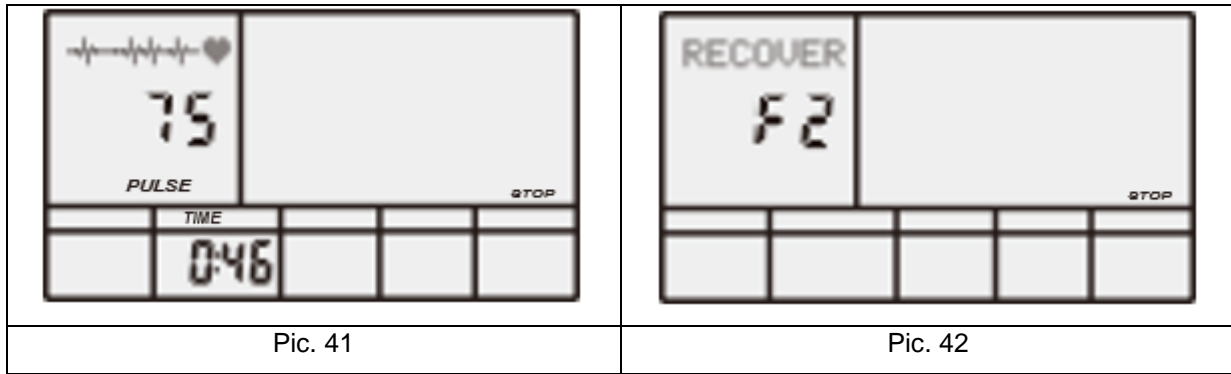
You cannot exit the test after running the test. When finished, press UP / DOWN to exit.

F. PULSE RECOVERY TEST

A test that compares heart rate before and after exercise. The result is the ability of the heart to recover from exercise.

1. Grasp the pulse sensors or attach the chest strap (if applicable to the device)
2. Press RECOVERY to start the program (Pic. 41)
3. The 60-second countdown starts.
4. The result is then displayed F1 – F6.

F1 - excellent / F2 - good / F3 - average / F4 below average / F5 - poor / F6 - worst result



G. MEASUREMENT OF THE PULSE

Grasp both pulse sensors. The heart rate is displayed after 3-4 seconds. The heart icon is displayed along with the ECG.

NOTE:

Values are for guidance only and not for medical purposes.

You can use the chest strap, if supported.

DISPLAY

SPEED	Display speed, range: 0.0 – 99.9 km/h (mil/h)
RPM	Displays the RPM, range: 0 – 999
TIME	Displays training time, range: 0:00 – 99:59 min:sec. Settings: 5:00 – 99:00 min:sec.
DIST	Displays the distance, range: 0.0 – 99.9 – 999 km (mil). Settings: 1.0 – 99.0 – 999.
CALORIE	Displays burned calories, range: 0 – 99.9 – 999. Settings 10.0 – 90.0 – 990.
PULSE	Displays heart rate 30 – 240 beats per minute
RESISTANCE LEVEL	Displays the load from 1 – 16
WATT	Displays the result of the WATT program

ERROR 1 – check motor and motor connection





ERROR 2 – check the pulse sensors

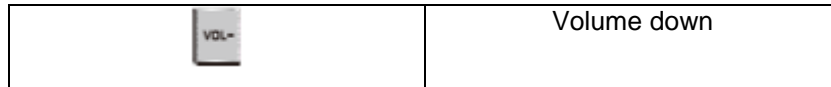
MP3 PLAYER (if available)

Connect the audio device to the console. Then start the audio device and then the console. If the console starts audio itself, it should start playing automatically.

USB PORT (if available)

Insert the USB device into the console.

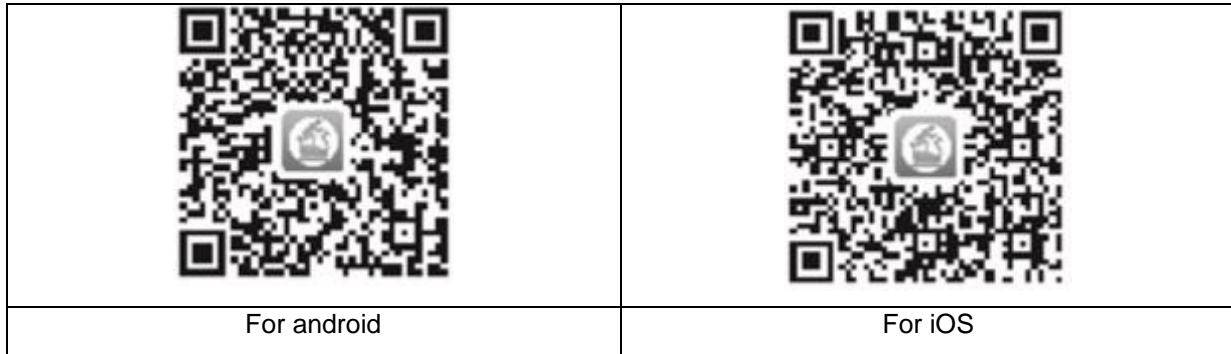
	Play next
	Play the following
	START / PAUSE
	Volume up



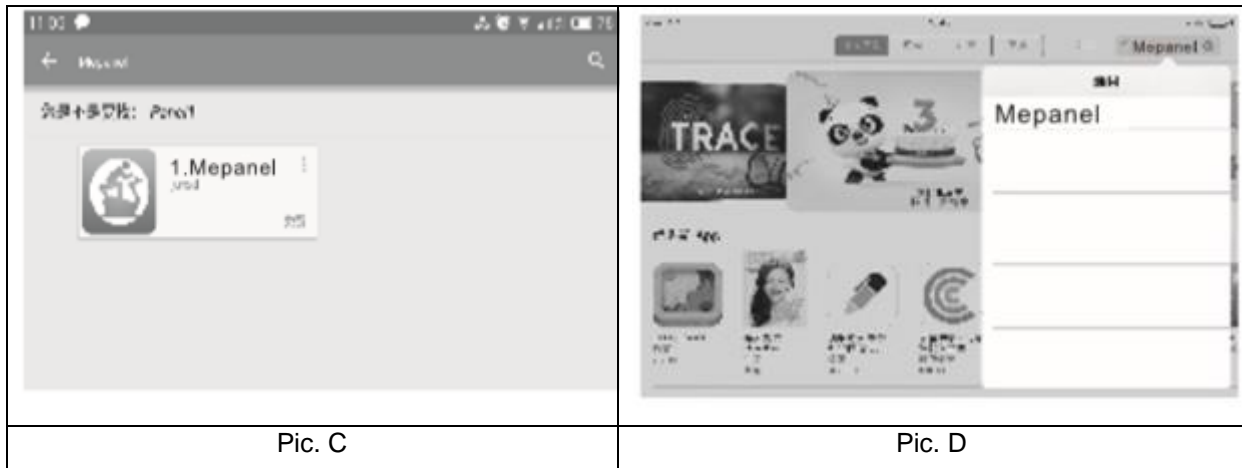
APPLICATION MEPANEL

DOWNLOAD


1. Download the application using QR code:

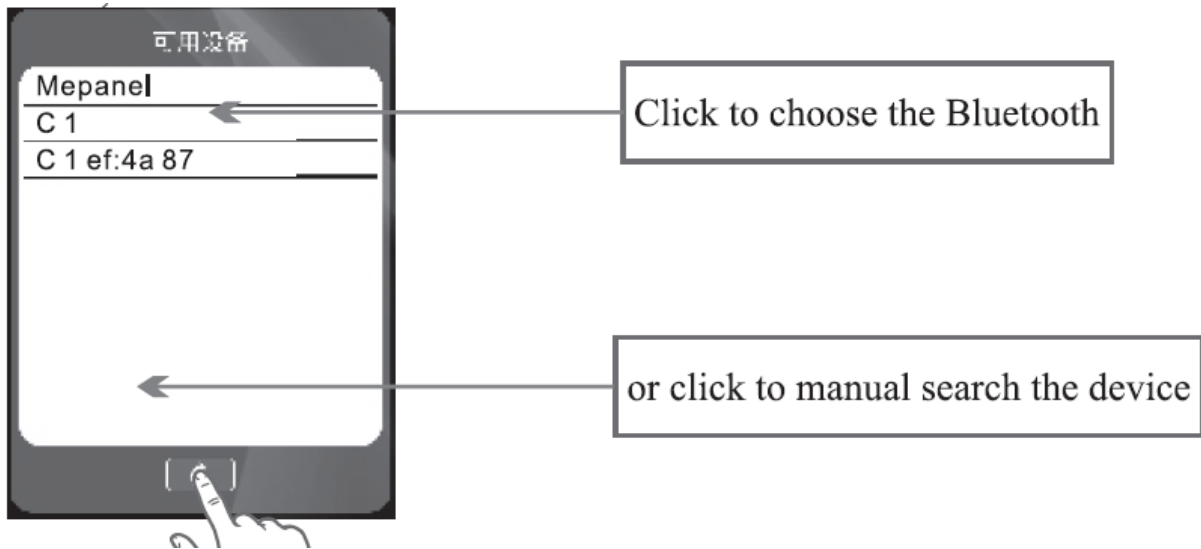


2. Download the app using Google Play (Pic. C) or App Store (Pic. D), search for the MePanel app.



BLUETOOTH CONNECTION

Devices are paired using Bluetooth 4.0. Press  and select a device.



Select your smart device and access the app. The console display turns off when you start the application.

When you turn off the app, the console display turns on again.

FUNCTION

You can connect to the device a smart device with Bluetooth 4.0 and MEPANEL application installed.

1. Street view: Launch the map while the program is on. Select the start and destination, the app automatically calculates the distance.
2. Share: After training, you can share your results with Facebook or Twitter.
3. The application automatically saves the data into tables: As soon as you exercise for more than 5 minutes, the data for training time, distance and calories are saved.

USE

A. Program selection

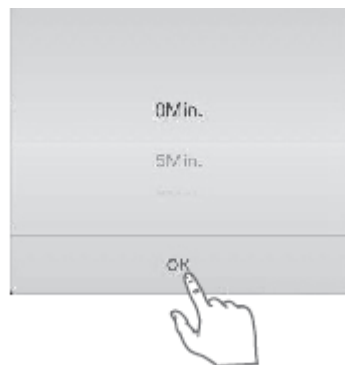
Choose a program:



B. Parameter settings

Setting personal data: Select MENU in the upper left corner to set the height, weight, age and gender. Then return to the main menu.

Setting program parameters: When selecting a program, you can set the time, move the slider up or down and confirm with OK. You can also set distance, calories, watt, target pulse, target watt.




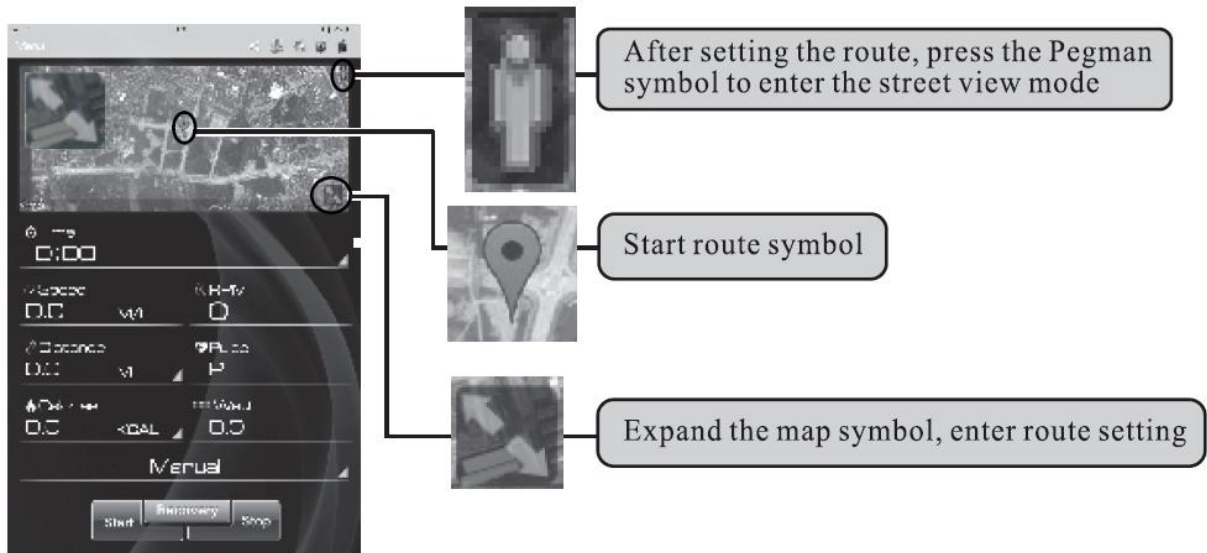
Setting the unit: Enter MENU - System Set - mm (metric) / inch (imperial system)

CONTROLS

Start / stop: Press START to start the program, press STOP to stop the program

Street view: Your smart device must be connected to WIFI and the area covered by MAPS.


Leaving maps: Select  in the top right corner. Resistance settings change to maps. Press repeatedly to return to the resistance setting.

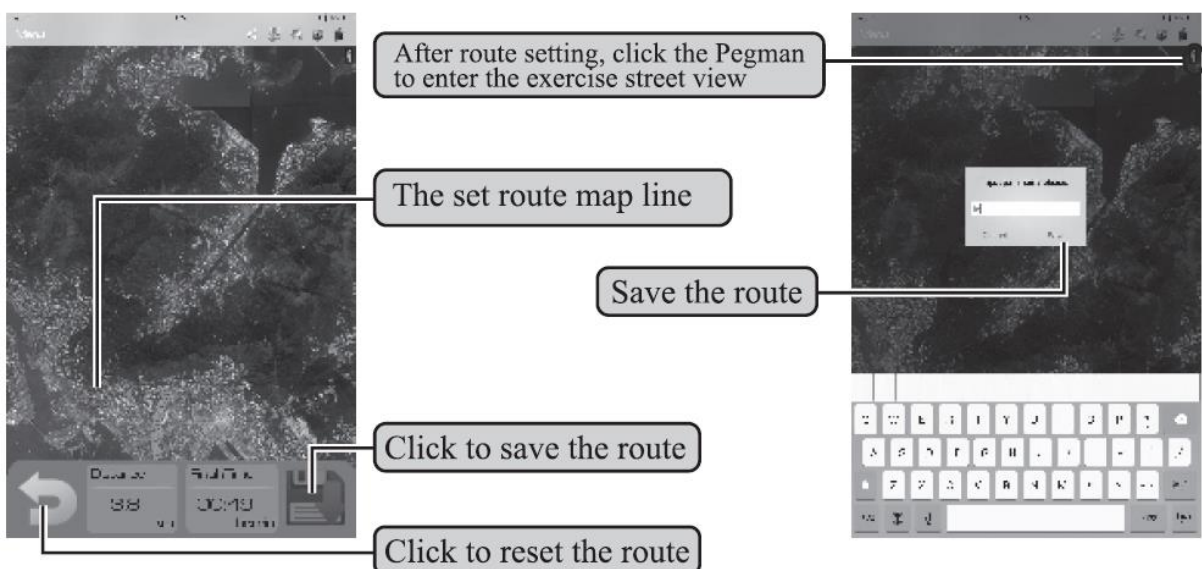


Press  to expand the map

Setting the route: After zooming in the map, hold the start symbol for 2 seconds and then set the start of your route, press the location on the map again to set the destination. The application automatically sets the route.

Press  to save the route

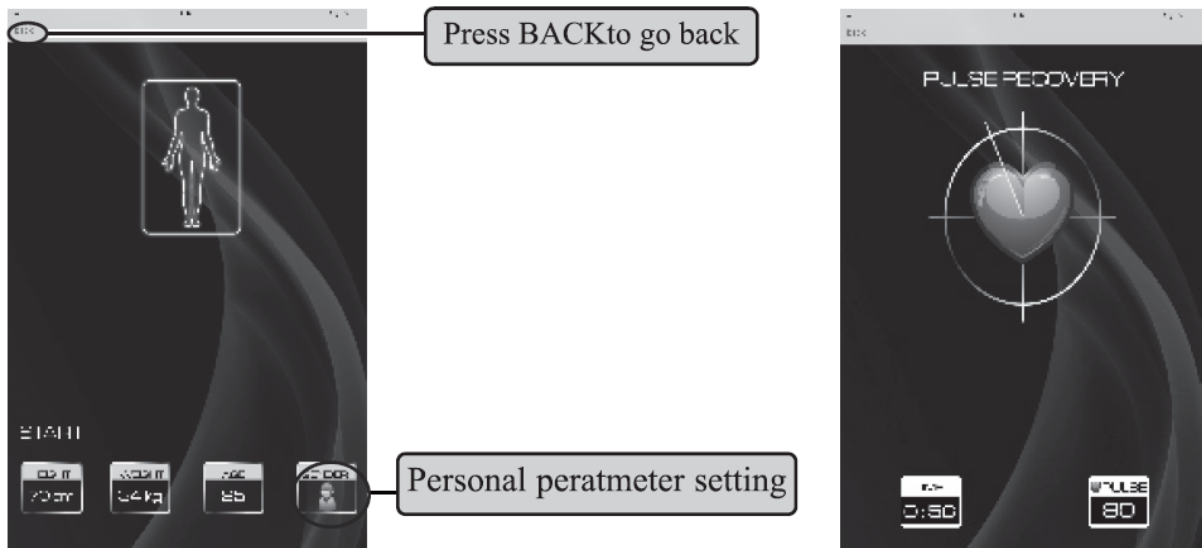
Street view: Press  to enter interface, press  to start the program, press  to stop. Press  to increase resistance, press  to reduce resistance. During street view you can enjoy the scenery while watching the exercise data.



Body Fat Measurement: Select the FAT program, then enter height, weight, age, and gender. Press START to start the program.

To measure, you must hold the pulse measurement plates.

Recovery: Select RECOVERY to start the program, press BACK to return to the main screen.



One-minute counts down begins, then results from F1 (best) - F6 (worst)

Statistics: Enter MENU - STATISTICS, you can look at the exercise curve.

USE OF ELEPTICAL TRAINER

The elliptical trainer is a popular fitness machine, one of the newest and most effective home training machines.

When you are exercising on an elliptical treadmill, your feet move along the elliptical curve.

The elliptical treadmill is a frequent replacement for exercise bikes and treadmills because it is gentler for your joints. With the handles, you are also exercising the upper half of your body.

During exercise, you transfer the weight from one foot to the other. Try to maintain an upright and natural position. Handlers will help you. Find the perfect place to hold the grip and try to move as naturally as possible.

THE WARM UP PHASE

This stage helps get the blood flowing around the body and the muscles working properly. It will also reduce the risk of cramp and muscle injury. It is advisable to do a few stretching exercises as shown below. Each stretch should be held for approximately 30 seconds, do not force or jerk your muscles into a stretch. If it hurts, STOP.



Touching your toes

Slowly bend your back from hips. Keep your back and arms relaxed while stretching downwards to your toes. Do it as far as you are able and hold the position for 15 seconds. Bend your knees slightly.



Upper thigh

Lean against a wall with one hand. Reach down and behind you. Lift up your right or left foot to your buttock as high as possible. Keep for 30 seconds and repeat twice for each leg.



Hamstring stretched

Sit and outstretch your right leg. Rest the sole of your left foot against the inside of your right thigh. Stretch out your right arm along your right leg as far as you can. Hold for 15 seconds and relax. Repeat all with your left leg and left arm.



Inside upper thigh

Sit on the floor and place your feet together. Knees are pointed outwards. Pull your feet as close as possible to your groin. Press your knees carefully downwards. Keep this position for 30-40 seconds if possible.



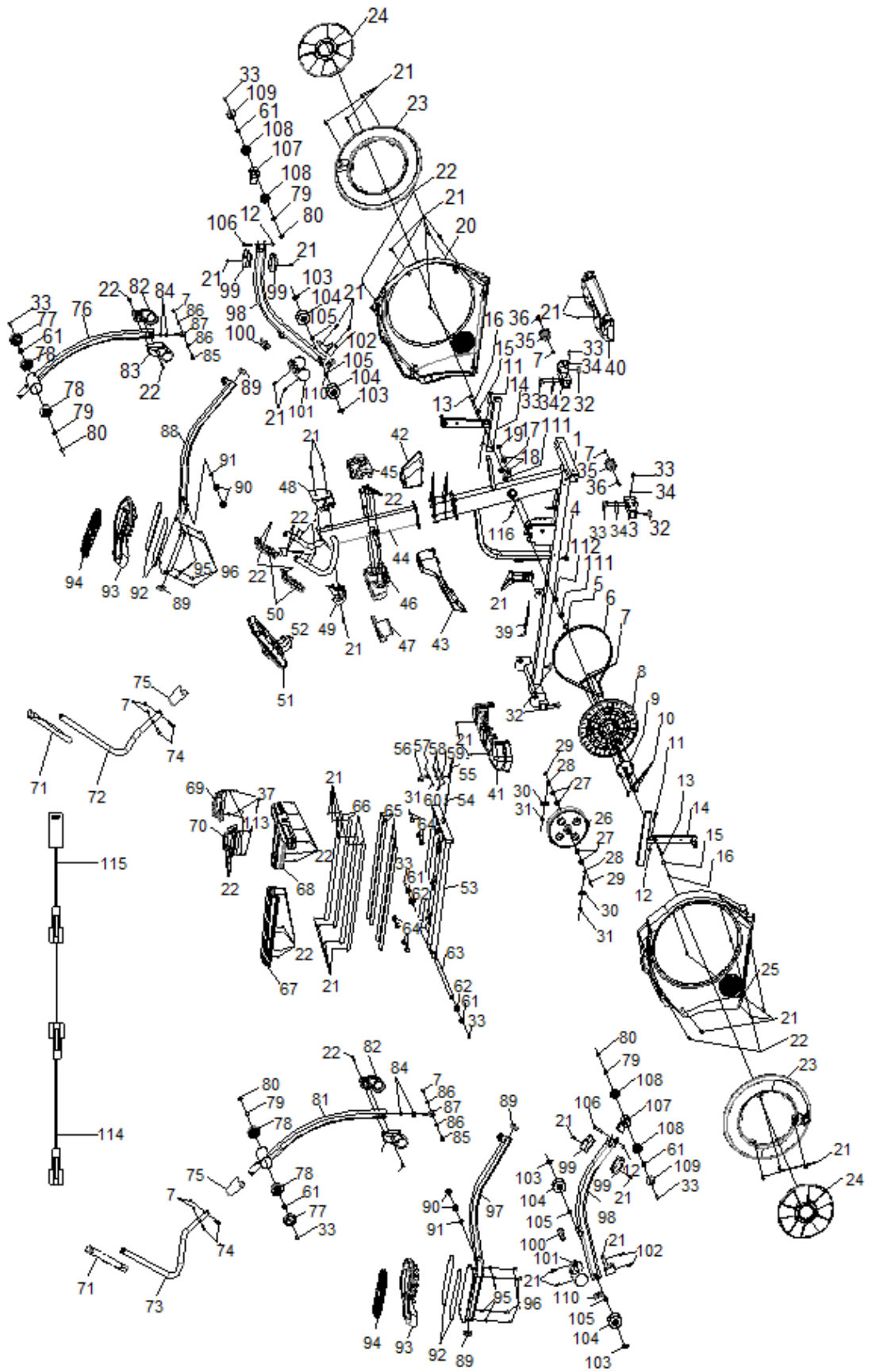
Calves and Achilles tendon

Lean against a wall with your left leg in front of the right one and your arms forward. Stretch out your right leg and keep your left foot on the floor. Bend your left leg and lean forwards by moving your right hip in the direction of the wall. Hold for 30-40 seconds. Keep your leg stretched and repeat exercising with other leg.

MAINTENANCE

- Use only a soft cloth and a mild detergent.
- Do not clean the plastic parts with abrasives or solvents.
- Wipe the sweat after each use.
- Protect the device from moisture and extreme temperatures.
- Protect your device, computer and console from direct sunlight.
- Check the tightening of all bolts and nuts regularly.
- Store in a dry and clean place away from children.

DIAGRAM



PARTS LIST

No.	Name	Qty.	No.	Name	Qty.
1	Main frame	1	36	Screw M8*70	2
2	Left front foot tube connection assembly	1	37	Screw M4*10	6
3	Right front pipe connecting assembly	1	38	Motor cable	1
4	Stopper M8	1	39	Motor cable	1
5	Short crank sleeve	1	40	Front support cover	1
6	Belt	1	41	Rear cover	1
7	Nut M8	12	42	Front chain cover	1
8	Belt wheel	1	43	Rear chain cover	1
9	Straight mandrel assembly	1	44	Post assembly	1
10	Screw M8*16	4	45	Front cover	1
11	Screw M10*55	2	46	Middle cover	1
12	Nut M10	2	47	Top cover	1
13	Sleeve 15*6*6	2	48	Front cover	1
14	Cross assembly	2	49	Rear cover	1
15	Gasket	2	50	Pulse sensor plate	2
16	Screw M6*20	2	51	Console	1
17	Nut M20*1	1	52	Screw M5*10	4
18	Bearing	2	53	Guide rail holder assembly	1
19	Spring	1	54	Spring	1
20	Left chain cover	1	55	Hand knob	1
21	Screw	44	56	Button	1
22	Screw ST4.2*13	38	57	Screw M6*40	1
23	Rotary wheel	2	58	Screw M4*30	2
24	Rotary wheel cover	2	59	Button connection block	1
25	Right chain cover	1	60	Nut M4	2
26	Flywheel	1	61	Big gasket	8
27	Flat washer	4	62	Axle sleeve	2
28	Screw M6*58	2	63	Rear axle	1
29	Nut M10*1	2	64	Protective pad	8
30	Retaining ring	2	65	EVA	4
31	Nut M6	3	66	Aluminum guide rail	4
32	Stopper	4	67	Middle guide rail cover	1
33	Screw M8*20	18	68	Guide rail front cover	1
34	Washer	10	69	Left adjusting handle	1
35	Transport wheel	2	70	Right adjusting handle	1

71	Handle cover	2	94	Pedal pad	2
72	Left Handle	1	95	Flat washer	8
73	Right handle	1	96	Screw M6*15	8
74	Screw	4	97	Right pedal assembly	1
75	Crank cover	2	98	Cover	2
76	Left crank assembly	1	99	Cover	4
77	Ridge ending	2	100	Cover	2
78	Crankcase	4	101	Cover	2
79	Large sealing ring	4	102	Spacer	2
80	Rotating seal	4	103	Outer spring	4
81	Right crank assembly	1	104	Roller	4
82	Left crank cover	2	105	Gasket	4
83	Right crank cover	2	106	Screw M10*60	2
84	Nut	4	107	Coupling lever	2
85	Screw	2	108	End cap	4
86	Joint housing	4	109	Cover	2
87	Joint	2	110	Cover	2
88	Left pedal assembly	1	111	Bearing	10
89	End cap	4	112	Load wheel clamp	1
90	Sleeve	4	113	Flat washer	4
91	Gasket	2	114	Top cable	1
92	Anti-slip mat	4	115	Bottom cable	1
93	Pedal	2	116	Sensor	1

ENVIRONMENT PROTECTION

After the product lifespan expired or if the possible repairing is uneconomic, dispose it according to the local laws and environmentally friendly in the nearest scrapyard.

By proper disposal you will protect the environment and natural sources. Moreover, you can help protect human health. If you are not sure in correct disposing, ask local authorities to avoid law violation or sanctions.

Don't put the batteries among house waste but hand them in to the recycling place.

TERMS AND CONDITIONS OF WARRANTY, WARRANTY CLAIMS

General Conditions of Warranty and Definition of Terms

All Warranty Conditions stated hereunder determine Warranty Coverage and Warranty Claim Procedure. Conditions of Warranty and Warranty Claims are governed by Act No. 89/2012 Coll. Civil Code, and Act No. 634/1992 Coll., Consumer Protection, as amended, also in cases that are not specified by these Warranty rules.

The seller is SEVEN SPORT s.r.o. with its registered office in Borivojova Street 35/878, Prague 13000, Company Registration Number: 26847264, registered in the Trade Register at Regional Court in Prague, Section C, Insert No. 116888.

According to valid legal regulations it depends whether the Buyer is the End Customer or not.

“The Buyer who is the End Customer” or simply the “End Customer” is the legal entity that does not conclude and execute the Contract in order to run or promote his own trade or business activities.

“The Buyer who is not the End Customer” is a Businessman that buys Goods or uses services for the purpose of using the Goods or services for his own business activities. The Buyer conforms to the General Purchase Agreement and business conditions.

These Conditions of Warranty and Warranty Claims are an integral part of every Purchase Agreement made between the Seller and the Buyer. All Warranty Conditions are valid and binding, unless otherwise specified in the Purchase Agreement, in the Amendment to this Contract or in another written agreement.

Warranty Conditions

Warranty Period

The Seller provides the Buyer a 24 months Warranty for Goods Quality, unless otherwise specified in the Certificate of Warranty, Invoice, Bill of Delivery or other documents related to the Goods. The legal warranty period provided to the Consumer is not affected.

By the Warranty for Goods Quality, the Seller guarantees that the delivered Goods shall be, for a certain period of time, suitable for regular or contracted use, and that the Goods shall maintain its regular or contracted features.

The Warranty does not cover defects resulting from (if applicable):

- User’s fault, i.e. product damage caused by unqualified repair work, improper assembly, insufficient insertion of seat post into frame, insufficient tightening of pedals and cranks
- Improper maintenance
- Mechanical damages
- Regular use (e.g. wearing out of rubber and plastic parts, moving mechanisms, joints, wear of brake pads/blocks, chain, tires, cassette/multi wheel etc.)
- Unavoidable event, natural disaster
- Adjustments made by unqualified person
- Improper maintenance, improper placement, damages caused by low or high temperature, water, inappropriate pressure, shocks, intentional changes in design or construction etc.

Warranty Claim Procedure

The Buyer is obliged to check the Goods delivered by the Seller immediately after taking the responsibility for the Goods and its damages, i.e. immediately after its delivery. The Buyer must check the Goods so that he discovers all the defects that can be discovered by such check.

When making a Warranty Claim the Buyer is obliged, on request of the Seller, to prove the purchase and validity of the claim by the Invoice or Bill of Delivery that includes the product’s serial number, or eventually by the documents without the serial number. If the Buyer does not prove the validity of the Warranty Claim by these documents, the Seller has the right to reject the Warranty Claim.

If the Buyer gives notice of a defect that is not covered by the Warranty (e.g. in the case that the Warranty Conditions were not fulfilled or in the case of reporting the defect by mistake etc.), the Seller is eligible to require a compensation for all the costs arising from the repair. The cost shall be calculated according to the valid price list of services and transport costs.

If the Seller finds out (by testing) that the product is not damaged, the Warranty Claim is not accepted. The Seller reserves the right to claim a compensation for costs arising from the false Warranty Claim.

In case the Buyer makes a claim about the Goods that is legally covered by the Warranty provided by the Seller, the Seller shall fix the reported defects by means of repair or by the exchange of the damaged part or product for a new one. Based on the agreement of the Buyer, the Seller has the right to exchange the defected Goods for a fully compatible Goods of the same or better technical characteristics. The Seller is entitled to choose the form of the Warranty Claim Procedures described in this paragraph.

The Seller shall settle the Warranty Claim within 30 days after the delivery of the defective Goods, unless a longer period has been agreed upon. The day when the repaired or exchanged Goods is handed over to the Buyer is considered to be the day of the Warranty Claim settlement. When the Seller is not able to settle the Warranty Claim within the agreed period due to the specific nature of the Goods defect, he and the Buyer shall make an agreement about an alternative solution. In case such agreement is not made, the Seller is obliged to provide the Buyer with a financial compensation in the form of a refund.

CZ
SEVEN SPORT s.r.o.

Registered Office: Strakonická 1151/2c, Praha 5, 150 00, ČR
Headquarters: Dělnická 957, Vítkov, 749 01
Warranty & Service: Čermenská 486, Vítkov 749 01

CRN: 26847264
VAT ID: CZ26847264

Phone: +420 556 300 970
E-mail: eshop@insportline.cz
reklamace@insportline.cz
servis@insportline.cz

Web: www.inSPORTline.cz

SK
inSPORTline s.r.o.

Headquarters, warranty & service center: Električná 6471, Trenčín 911 01, SK

CRN: 36311723
VAT ID: SK2020177082

Phone: +421(0)326 526 701
E-mail: objednavky@insportline.cz
reklamacie@insportline.cz
servis@insportline.cz

Web: www.inSPORTline.sk