



**USER MANUAL – EN**

**IN 25820 Fitness stepmill inSPORTline ProfiStair Max**



# CONTENTS


- SAFETY INSTRUCTIONS..... 3
- PARTS LIST ..... 4
- ASSEMBLY ..... 5
- CONSOLE ..... 6
  - DISPLAY ..... 6
- ERROR CODES..... 8
- MAINTENANCE ..... 8
- ENVIRONMENT PROTECTION ..... 8
- TERMS AND CONDITIONS OF WARRANTY, WARRANTY CLAIMS..... 8

SevenSport s.r.o. reserves the right to make any changes and improvements to its product without prior notice. Visit our website [www.insportline.eu](http://www.insportline.eu) where you will find the latest version of the manual.

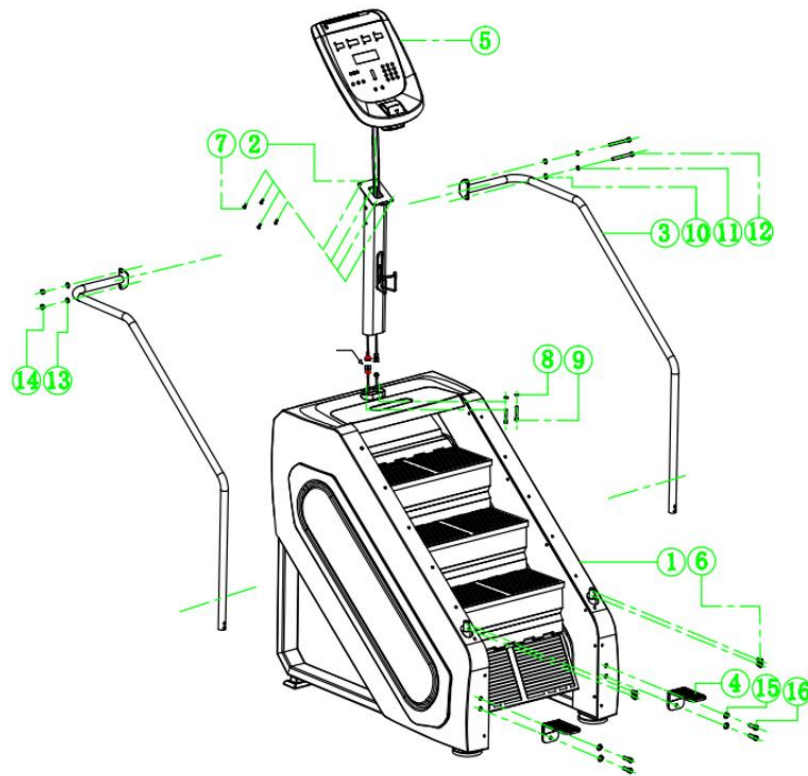
## SAFETY INSTRUCTIONS

- Read this manual carefully before first use and retain it for future reference. Use the product only according to this manual and for its intended purpose. Do not modify the product in any way.
- **WARNING!** Before maintenance, always unplug the device from electrical outlet to prevent burning or electrocuting yourself.
- Do not use in rooms with high humidity.
- While the product is turned on, pay attention to its operating status to avoid an injury. If the machine is idle, it is recommended to turn off the power and unplug the power cord.
- Keep the stepmill away from children and pets. Never leave them unattended near the device.
- Never use the product if parts of it are worn or damaged. Regularly check all the screws, nuts and other connecting parts to make sure they are not loose. Damaged or worn parts should be replaced immediately.
- Never use the stepmill if the plug or power cord are damaged. If the power cord doesn't work properly or if it has been exposed to water, stop using it at once and have it repaired or replaced by a qualified technician or the customer service.
- Never insert anything into the open spaces found on the device.
- This product cannot be used outdoors.
- Do not use the product in a room without proper ventilation or with low levels of oxygen.
- Always unplug the power cord after shutting the stepmill off.
- If the power cord or the plug is damaged, contact the service department for repair.
- This product is not intended for people with physical or mental disabilities and unexperienced users (including children), unless they are under qualified supervision.
- Exercise according to the given instructions. Improper exercising may result in an injury.
- For the assembly, prepare a wide area with a flat and clean surface.
- The stepmill can only be placed on a flat, clean and solid surface. Keep a safety clearance of 2 x 1 m behind the device and at least 0.6 m around the rest.
- You should provide regular maintenance and check the stepmill for damage.
- No adjustable part should protrude and limit the user's movements.
- If the first stair is too high for you, use the foot supports to get on.
- Always hold on to the handlebars while getting on/off the device.
- Wear appropriate sports clothes and shoes. Avoid loose clothes so they don't get stuck in the moving parts of the stepmill.
- Step onto the second stair while holding on to the handlebars and use this as a standby position. Don't start exercising before you stand on the stair.
- Always hold the handlebar as a support.
- **Max. user weight:** 160 kg
- **Category:** SC (according to EN957) suitable for commercial and professional use
- **WARNING!** The heart rate frequency monitoring may not be completely accurate. Overexertion during training can lead to a serious injury or even death. If you start to feel faint, stop the exercise immediately.

## PARTS LIST

No.	Name	Qty.	
1.	Main frame	1	
2.	Console post	1	
3.	Handles	2	
4.	Footplates	1	
5.	Console with power supply (10A/AC250V)	1	Connection material
6.	Allen screw M10x16 mm	4	
7.	Allen screw M4x10 mm	4	
8.	Flat pad Ø8	2	
9.	Allen screw M8x50 mm	2	
10.	Flat pad Ø10	6	
11.	Flexible pad Ø10	2	
12.	Screw M10x130 mm	2	
13.	Nut Ø10	2	
14.	Screw M10x50 mm	4	
	Screwdriver	1	
	Allen screwdriver 5 mm	1	
	Allen screwdriver 8 mm	1	
		2	

## ASSEMBLY



Place the frame (1) in the place where the machine will be used and unpack it from the packaging material.

Carefully pull out the console post (2), handles (3), footplates (4) and console (5).

First, route the console cables (5) through the post (2) and attach the console (5) to the post (2) with 4x M4x10 screws (7).

Connect the cables leading from the console to the cables leading from the main frame. Connect the post (2) to the main frame (1) using 2x Ø8 washers (8) and 2x M8x50mm screws (9). Be careful not to pinch the cables.

Attach the handles (3) to the main frame (1) using 2x M10x16 screws (6). Attach the handrails (3) to the post (2) using 2x flat washers (10), 2x flexible washers (11), 2x M10x130mm screws (12). On the other side, attach the handle to the post with 2x nuts (13) and 2x M10x50mm screws (14).

Attach the footplates (4) to the main frame (1) using 4x washers (15) and 4x screws (16).

After assembly, make sure all parts are tightened and the machine is properly leveled.

# CONSOLE

Power by AC22V + 10%



## DISPLAY

Display: FLOORS and meters (METS).  
TIME and CALORIES  
Resistance (LEVEL) and STEPS/min  
FLOORS/min and HEART RATE  
The dot display shows the resistance graph and the digits entered from the keyboard.

## TLAČÍTKA

### TIME

Press the TIME button to start the time countdown program. 30 min will flash in the TIME display and the dot display will show the time. Use the resistance increase and decrease buttons to set the time in the range of 5 – 95 min. After setting the value, press QUICK START, the countdown and then the set program will start.

### DISTANCE

Press the DISTANCE button to start the distance countdown program. The DISTANCE display will flash 50 meters and the dot display will show the distance. Use the resistance increase and decrease buttons to set the distance in the range of 20-990 meters. After setting the value, press QUICK START, the countdown and then the set program will start.

### CALORIES

Press the CALORIES button to start the calorie countdown program. The CALORIES display will flash 50 cal and the dot display will show calories. Use the increase and decrease resistance buttons to set calories in the range of 20-990 cal. After setting the value, press QUICK START, the countdown and then the set program will start.

### FATBURN

By pressing the FATBURN button, the TIME display will show 30:00 min. and the dot display will show the resistance graph, adjust the exercise time using the buttons to change the resistance. Exercise length range 5 – 99 min. After setting the value, press QUICK START, the countdown and then the set program will start. Use the load change buttons to adjust the load of the current program.

Program resistance profile

3 | 3 | 3 | 3 | 5 | 5 | 4 | 4 | 6 | 6 | 8 | 8 | 7 | 7 | 8 | 8 | 7 | 7 | 5 | 5 | 4 | 4 | 4 | 4 | 2

### INTERVAL

By pressing the INTERVAL button, the TIME display shows 30:00 min. and the dot display will show the resistance graph, adjust the exercise time using the buttons to change the resistance. Exercise length range 5 – 99 min. After setting the value, press QUICK START, the countdown and then the set program will start. Use the load change buttons to adjust the load of the current program.

Program resistance profile

3 | 3 | 3 | 3 | 4 | 4 | 5 | 5 | 8 | 8 | 9 | 10 | 7 | 7 | 6 | 6 | 5 | 5 | 4 | 4 | 3 | 3 | 3 | 3 | 2

### MOUNTAIN CLIMB

By pressing the INTERVAL button, the TIME display shows 30:00 min. and the dot display will show the resistance graph, adjust the exercise time using the buttons to change the resistance. Exercise length range 5 – 99 min. After setting the value, press QUICK START, the countdown and then the set program will start. Use the load change buttons to adjust the load of the current program.

Program resistance profile

3 | 3 | 3 | 3 | 5 | 5 | 5 | 7 | 7 | 7 | 7 | 9 | 9 | 6 | 6 | 7 | 7 | 5 | 4 | 4 | 3 | 3 | 3 | 3 | 1

### QUICK START

Confirm button

### STOP

Press once to pause the program. You must start the program within 20 seconds, otherwise it will shut down.

Press twice to stop the program.

### BUTTONS 0 – 9

You can use the numbers to set the resistance in the range 0 – 15. Confirm by pressing ENTER.

## ENTER

Confirm the set value.

## DELETE

Press to delete the set value.

## RESISTANCE BUTTONS

Use the resistance buttons to adjust the resistance of the current program.

If you press START and the machine is in standby mode, all values will be added, the resistance will be at 1 level, and the resistance setting range is 1-15.

## ERROR CODES

No	Error	No	Error
01	Weak current at startup	08	Stop Anomaly
02	Temperature sensor failure	09	Overheating
04	Overcurrent protection	10	Motor overvoltage
06	Overvoltage	11	Inverter overvoltage
07	IGBT fault	12	System overvoltage
33	FLESH program error	13	Engine damage
34	EEPROM error	14	Brake failure
35	Low voltage	38	ERVVF error
37	ESP failure	41	High temperature warning

## MAINTENANCE

- Clean the device after use. Wipe off the dust with a soft cloth and mild detergent. Do not use aggressive cleaning agents, solvents or brushes. Only clean the surface of the device. Avoid contact with water.
- Check all connections regularly. Be careful if the device makes any unusual noises.
- Regularly clean the space under the device.
- Make sure the device is properly leveled.
- Due to the weight of the device, any movement must be carried out by several people and with the right auxiliary equipment.

## ENVIRONMENT PROTECTION

After the product lifespan expired or if the possible repairing is uneconomic, dispose it according to the local laws and environmentally friendly in the nearest scrapyard.

By proper disposal you will protect the environment and natural sources. Moreover, you can help protect human health. If you are not sure in correct disposing, ask local authorities to avoid law violation or sanctions.

Don't put the batteries among house waste but hand them in to the recycling place.

## TERMS AND CONDITIONS OF WARRANTY, WARRANTY CLAIMS

### General Conditions of Warranty and Definition of Terms



All Warranty Conditions stated here under determine Warranty Coverage and Warranty Claim Procedure. Conditions of Warranty and Warranty Claims are governed by Act No. 89/2012 Coll. Civil Code, and Act No. 634/1992 Coll., Consumer Protection, as amended, also in cases that are not specified by these Warranty rules.

The seller is SEVEN SPORT s.r.o. with its registered office in Strakonická street 1151/2c, Prague 150 00, Company Registration Number: 26847264, registered in the Trade Register at Regional Court in Prague, Section C, Insert No. 116888.

According to valid legal regulations it depends whether the Buyer is the End Customer or not.

“The Buyer who is the End Customer” or simply the “End Customer” is the legal entity that does not conclude and execute the Contract in order to run or promote his own trade or business activities.

“The Buyer who is not the End Customer” is a Businessman that buys Goods or uses services for the purpose of using the Goods or services for his own business activities. The Buyer conforms to the General Purchase Agreement and business conditions.

These Conditions of Warranty and Warranty Claims are an integral part of every Purchase Agreement made between the Seller and the Buyer. All Warranty Conditions are valid and binding, unless otherwise specified in the Purchase Agreement, in the Amendment to this Contract or in another written agreement.

### **Warranty Conditions**

#### Warranty Period

The Seller provides the Buyer a 24 months Warranty for Goods Quality, unless otherwise specified in the Certificate of Warranty, Invoice, Bill of Delivery or other documents related to the Goods. The legal warranty period provided to the Consumer is not affected.

By the Warranty for Goods Quality, the Seller guarantees that the delivered Goods shall be, for a certain period of time, suitable for regular or contracted use, and that the Goods shall maintain its regular or contracted features.

#### **Batteries**

6-month battery warranty – we guarantee that battery's nominal capacity does not fall below 70% of its total capacity within 6 months of the product's sale.

#### **The Warranty does not cover defects resulting from (if applicable):**

- User's fault, i.e. product damage caused by unqualified repair work, improper assembly, insufficient insertion of seat post into frame, insufficient tightening of pedals and cranks
- Improper maintenance
- Mechanical damages
- Regular use (e.g. wearing out of rubber and plastic parts, moving mechanisms, joints, wear of brake pads/blocks, chain, tires, cassette/multi wheel etc.)
- Unavoidable event, natural disaster
- Adjustments made by unqualified person
- Improper maintenance, improper placement, damages caused by low or high temperature, water, inappropriate pressure, shocks, intentional changes in design or construction etc.

#### **Warranty Claim Procedure**

The Buyer is obliged to check the Goods delivered by the Seller immediately after taking the responsibility for the Goods and its damages, i.e. immediately after its delivery. The Buyer must check the Goods so that he discovers all the defects that can be discovered by such check.

When making a Warranty Claim the Buyer is obliged, on request of the Seller, to prove the purchase and validity of the claim by the Invoice or Bill of Delivery that includes the product's serial number, or eventually by the documents without the serial number. If the Buyer does not prove the validity of the Warranty Claim by these documents, the Seller has the right to reject the Warranty Claim.

If the Buyer gives notice of a defect that is not covered by the Warranty (e.g. in the case that the Warranty Conditions were not fulfilled or in the case of reporting the defect by mistake etc.), the Seller is eligible to require a compensation for all the costs arising from the repair. The cost shall be calculated according to the valid price list of services and transport costs.

If the Seller finds out (by testing) that the product is not damaged, the Warranty Claim is not accepted. The Seller reserves the right to claim a compensation for costs arising from the false Warranty Claim.

In case the Buyer makes a claim about the Goods that is legally covered by the Warranty provided by the Seller, the Seller shall fix the reported defects by means of repair or by the exchange of the damaged part or product for a new one. Based on the agreement of the Buyer, the Seller has the right to exchange the defected Goods for a fully compatible Goods of the same or better technical characteristics. The Seller is entitled to choose the form of the Warranty Claim Procedures described in this paragraph.

The Seller shall settle the Warranty Claim within 30 days after the delivery of the defective Goods, unless a longer period has been agreed upon. The day when the repaired or exchanged Goods is handed over to the Buyer is considered to be the day of the Warranty Claim settlement. When the Seller is not able to settle the Warranty Claim within the agreed period due to the specific nature of the Goods defect, he and the Buyer shall make an agreement about an alternative solution. In case such agreement is not made, the Seller is obliged to provide the Buyer with a financial compensation in the form of a refund.

**CZ**  
**SEVEN SPORT s.r.o.**

Registered Office: Strakonická 1151/2c, Praha 5, 150 00,  
ČR

Headquarters: Dělnická 957, Vítkov, 749 01  
Warranty & Service: Čermenská 486, Vítkov 749 01

CRN: 26847264  
VAT ID: CZ26847264

Phone: +420 556 300 970  
E-mail: eshop@insportline.cz  
reklamace@insportline.cz  
servis@insportline.cz

Web: www.inSPORTline.cz

**SK**  
**inSPORTline s.r.o.**

Headquarters, warranty & service center: Električná 6471,  
Trenčín 911 01, SK

CRN: 36311723  
VAT ID: SK2020177082

Phone: +421(0)326 526 701  
E-mail: objednavky@insportline.sk  
reklamacie@insportline.sk  
servis@insportline.sk

Web: www.inSPORTline.sk

**About shipping**

