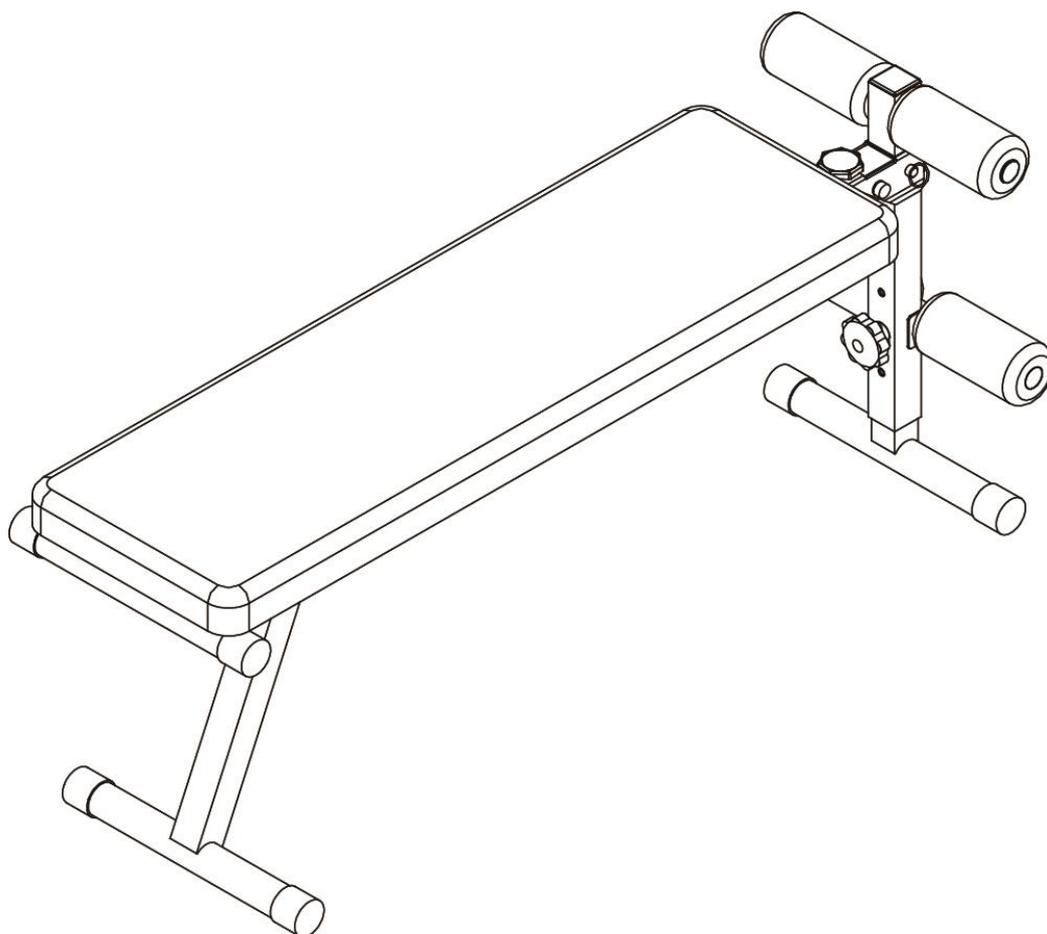




USER MANUAL – EN

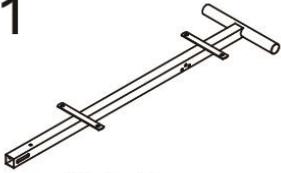
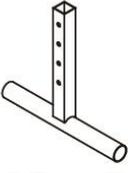
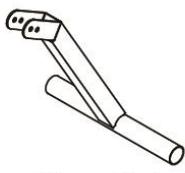
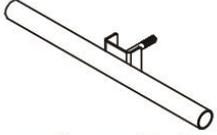
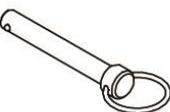
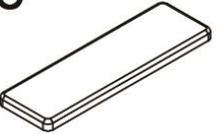
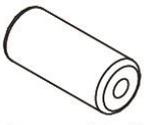
IN 9307 Flat / Incline Bench inSPORTline Hero



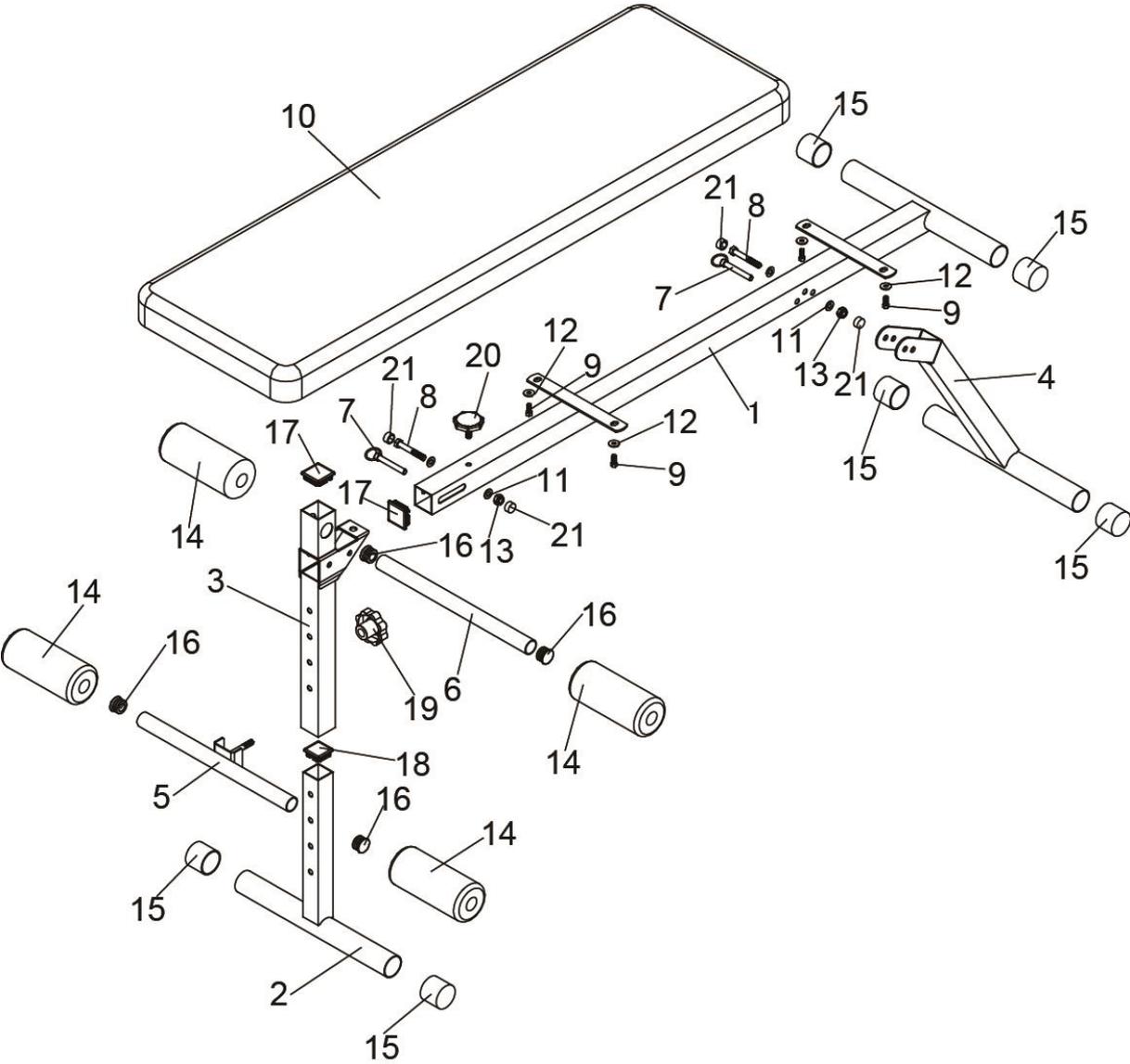
CONTENTS

PARTS LIST..... 3
EXPLODED-VIEW 4
ASSEMBLY INSTRUCTIONS..... 5
FOLDING INSTRUCTIONS 8
TERMS AND CONDITIONS OF WARRANTY, WARRANTY CLAIMS 9

PARTS LIST

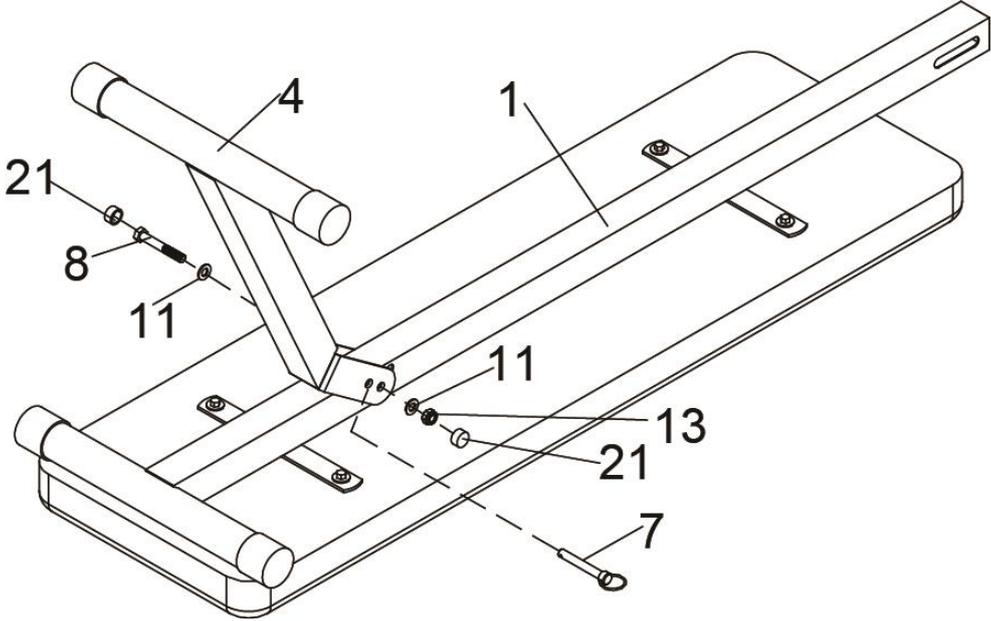
| | | | |
|---|---|---|--|
| <p>1</p>  <p>Main Frame 1pc</p> | <p>2</p>  <p>Front Base Tube 1pc</p> | <p>3</p>  <p>Front Upright Tube 1pc</p> | <p>4</p>  <p>Rear Base Tube 1pc</p> |
| <p>5</p>  <p>Lower Foam Roller Tube 1pc</p> | <p>6</p>  <p>Upper Foam Roller Tube 1pc</p> | <p>7</p>  <p>Quick Pin 2pcs</p> | <p>8</p>  <p>M8X55mm Hex Bolt 2pcs</p> |
| <p>9</p>  <p>M6X15mm Hex Bolt 4pcs</p> | <p>10</p>  <p>Backrest 1pc</p> | <p>11</p>  <p>M8 Washer 4PCS</p> | <p>12</p>  <p>M6 Washer 4PCS</p> |
| <p>13</p>  <p>M8 Nylon Nut 2PCS</p> | <p>14</p>  <p>Foam Roller 4PCS</p> | <p>15</p>  <p>38mm Round End Cap 6PCS</p> | <p>16</p>  <p>25mm Round Plug 4PCS</p> |
| <p>17</p>  <p>38mm Square Plug 2pcs</p> | <p>18</p>  <p>33.4mm Square Plug 1pc</p> | <p>19</p>  <p>Bloom Knob 1pc</p> | <p>20</p>  <p>Knob Pin 1pc</p> |
| <p>21</p>  <p>Bolt Cap 4pcs</p> | | | |

EXPLODED-VIEW



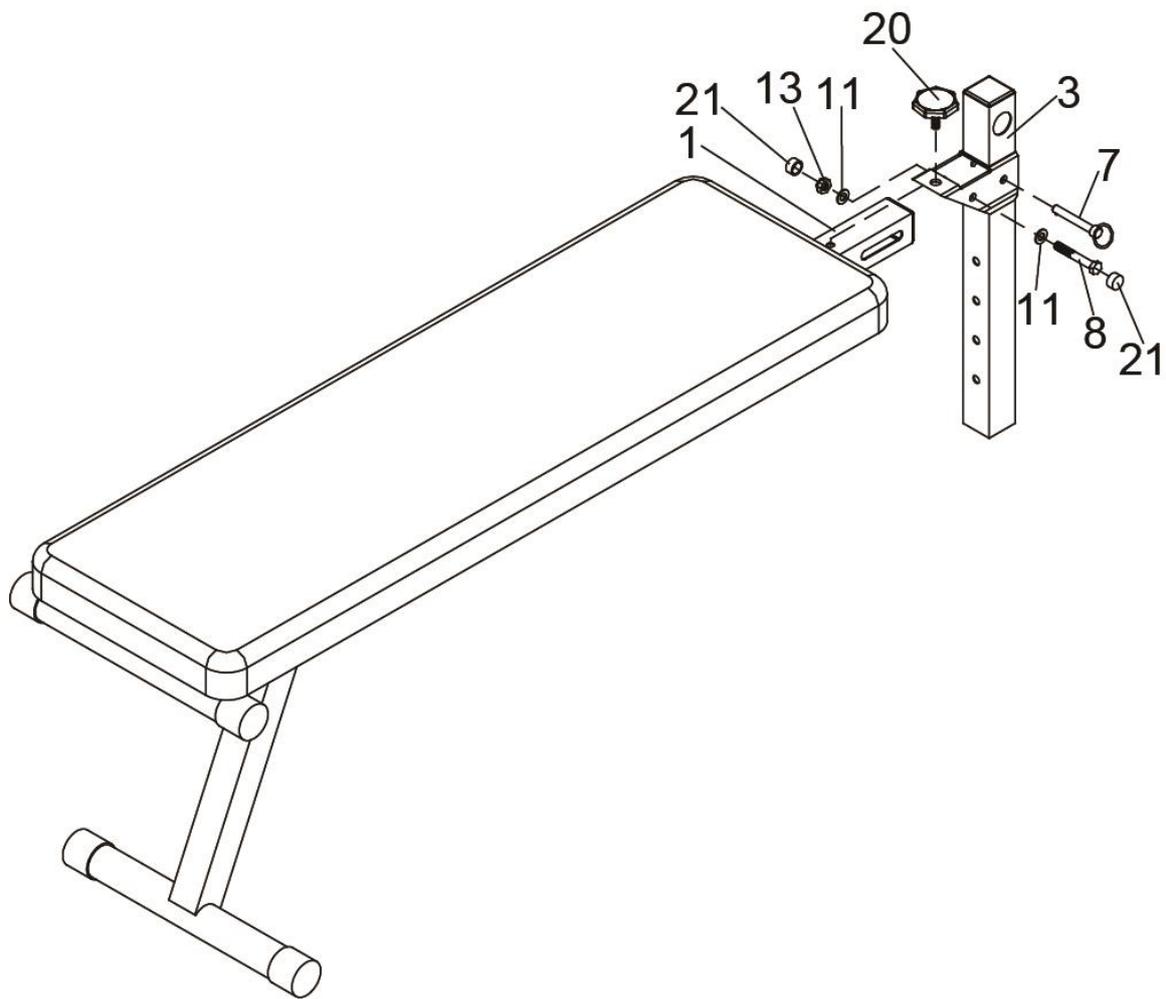
ASSEMBLY INSTRUCTIONS

STEP 1



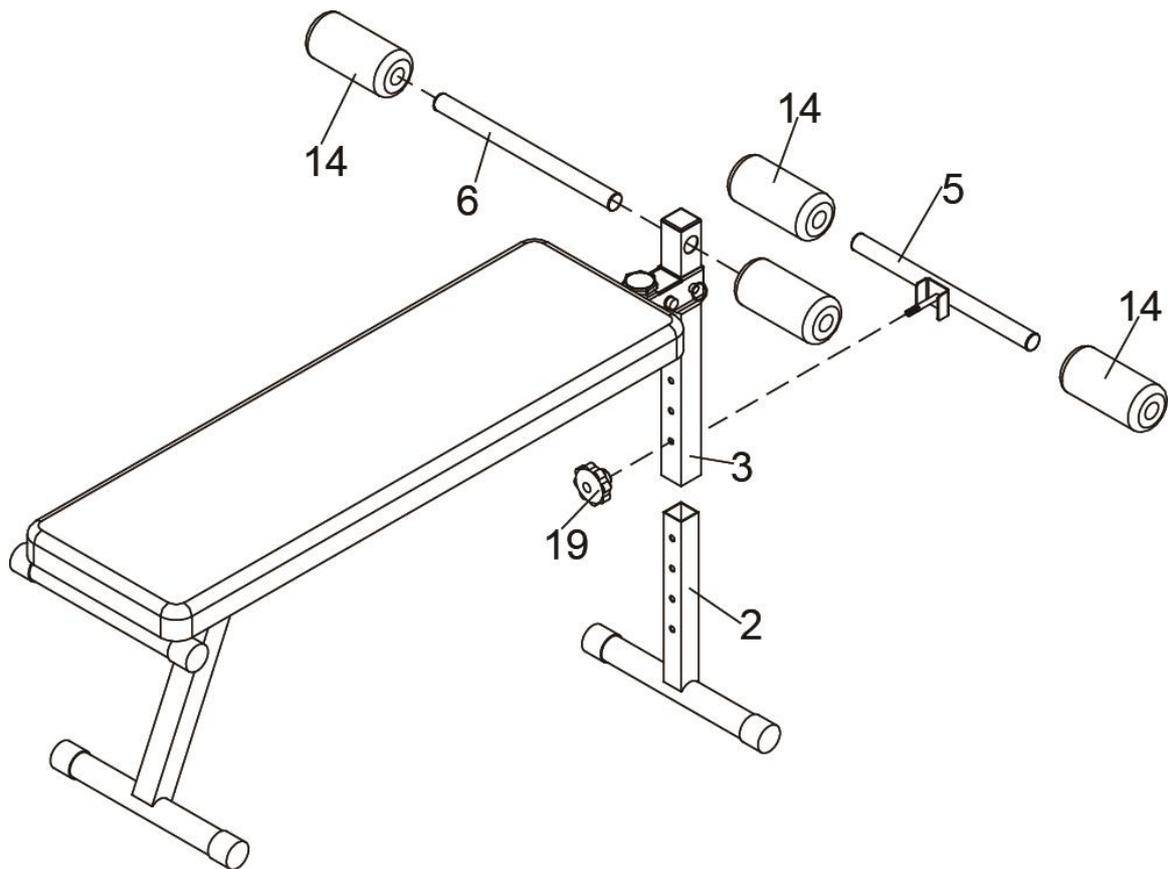
1. Attach the Rear Base Tube (4) to the Main Frame (1), using one M8X55mm Hex Bolt (8), two M8 Washers (11), one M8 Nylon Nut (13) and two Bolt Caps (21).
2. Insert the Quick Pin (7) into the Rear Base Tube (4) and the Main Frame (1).

STEP 2



1. Attach the Front Upright Tube (3) to the Main Frame (1), using one M8X55mm Hex Bolt (8), two M8 Washers (11), one M8 Nylon Nut (13) and two Bolt Caps (21).
2. Attach the Knob Pin (20) and the Quick Pin (7) to the Front Upright Tube (3) and the Main Frame (1).

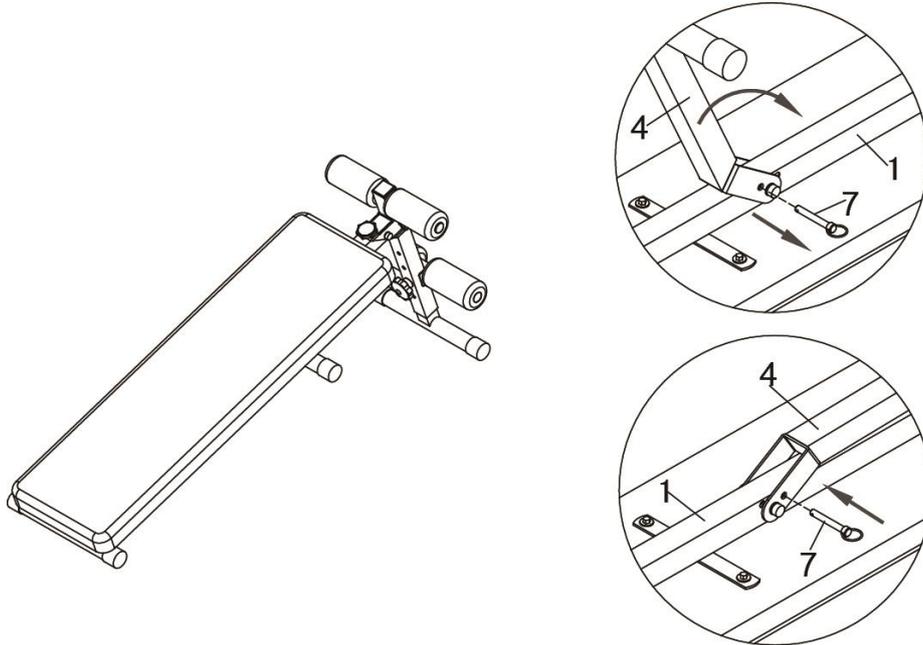
STEP 3



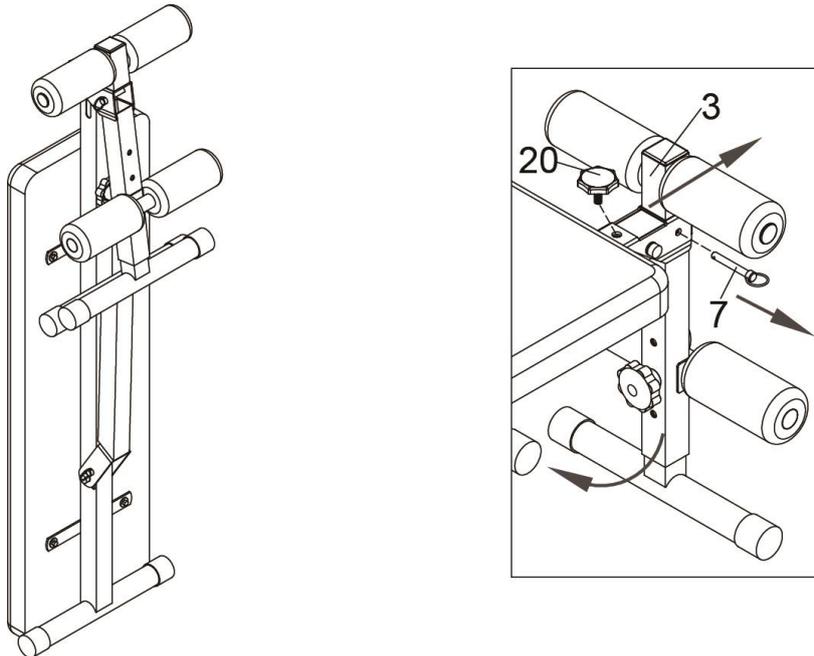
1. Insert the Front Base Tube (2) into the Front Upright Tube (3), using the Lower Foam Roller Tube (5) and one Bloom Knob (19).
2. Insert the Upper Foam Roller Tube (6) into the Front Upright Tube (3).
3. Slide four Foam Rollers (14) onto the Upper Foam Roller Tube (6) and the Lower Foam Roller Tube (5).

FOLDING INSTRUCTIONS

Remove the Quick Pin (7) to fold the Rear Upright Tube (4) up to perform sit-up exercise.



Remove the Quick Pin (7) and the Knob Pin (20) to fold the Front Upright Tube (3) up for storage.



TERMS AND CONDITIONS OF WARRANTY, WARRANTY CLAIMS

General Conditions of Warranty and Definition of Terms

All Warranty Conditions stated hereunder determine Warranty Coverage and Warranty Claim Procedure. Conditions of Warranty and Warranty Claims are governed by Act No. 40/1964 Coll. Civil Code, Act No. 513/1991 Coll., Commercial Code, and Act No. 634/1992 Coll., Consumer Protection Act, as amended, also in cases that are not specified by these Warranty rules.

The seller is SEVEN SPORT s.r.o. with its registered office in Borivojova Street 35/878, Prague 13000, Company Registration Number: 26847264, registered in the Trade Register at Regional Court in Prague, Section C, Insert No. 116888.

According to valid legal regulations it depends whether the Buyer is the End Customer or not.

“The Buyer who is the End Customer” or simply the “End Customer” is the legal entity that does not conclude and execute the Contract in order to run or promote his own trade or business activities.

“The Buyer who is not the End Customer” is a Businessman that buys Goods or uses services for the purpose of using the Goods or services for his own business activities. The Buyer conforms to the General Purchase Agreement and business conditions to the extent specified in the Commercial Code.

These Conditions of Warranty and Warranty Claims are an integral part of every Purchase Agreement made between the Seller and the Buyer. All Warranty Conditions are valid and binding, unless otherwise specified in the Purchase Agreement, in the Amendment to this Contract or in another written agreement.

Warranty Conditions

Warranty Period

The Seller provides the Buyer a 24 months Warranty for Goods Quality, unless otherwise specified in the Certificate of Warranty, Invoice, Bill of Delivery or other documents related to the Goods. The legal warranty period provided to the Consumer is not affected.

By the Warranty for Goods Quality, the Seller guarantees that the delivered Goods shall be, for a certain period of time, suitable for regular or contracted use, and that the Goods shall maintain its regular or contracted features.

The Warranty does not cover defects resulting from:

User's fault, i.e. product damage caused by unqualified repair work, improper assembly, insufficient insertion of seat post into frame, insufficient tightening of pedals and cranks

Improper maintenance

Mechanical damages

Regular use (e.g. wearing out of rubber and plastic parts, joints etc.)

Unavoidable event, natural disaster

Adjustments made by unqualified person

Improper maintenance, improper placement, damages caused by low or high temperature, water, inappropriate pressure, shocks, intentional changes in design or construction etc.

Warranty Claim Procedure

The Buyer is obliged to check the Goods delivered by the Seller immediately after taking the responsibility for the Goods and its damages, i.e. immediately after its delivery. The Buyer must check the Goods so that he discovers all the defects that can be discovered by such check.

When making a Warranty Claim the Buyer is obliged, on request of the Seller, to prove the purchase and validity of the claim by the Invoice or Bill of Delivery that includes the product's serial number, or eventually by the documents without the serial number. If the Buyer does not prove the validity of the Warranty Claim by these documents, the Seller has the right to reject the Warranty Claim.

If the Buyer gives notice of a defect that is not covered by the Warranty (e.g. in the case that the Warranty Conditions were not fulfilled or in the case of reporting the defect by mistake etc.), the Seller is eligible to

