

TUNTURI®

T10 Treadmill

User manual
Benutzerhandbuch
Manuel de l'utilisateur
Gebruikershandleiding
Manuale d'uso
Manual del usuario
Bruksanvisning
Käyttöohje



Serial number
Seriennummer
Numéro de série
Serienummer
Numero di serie
Número de serie
Serienummer
Sarjanumero

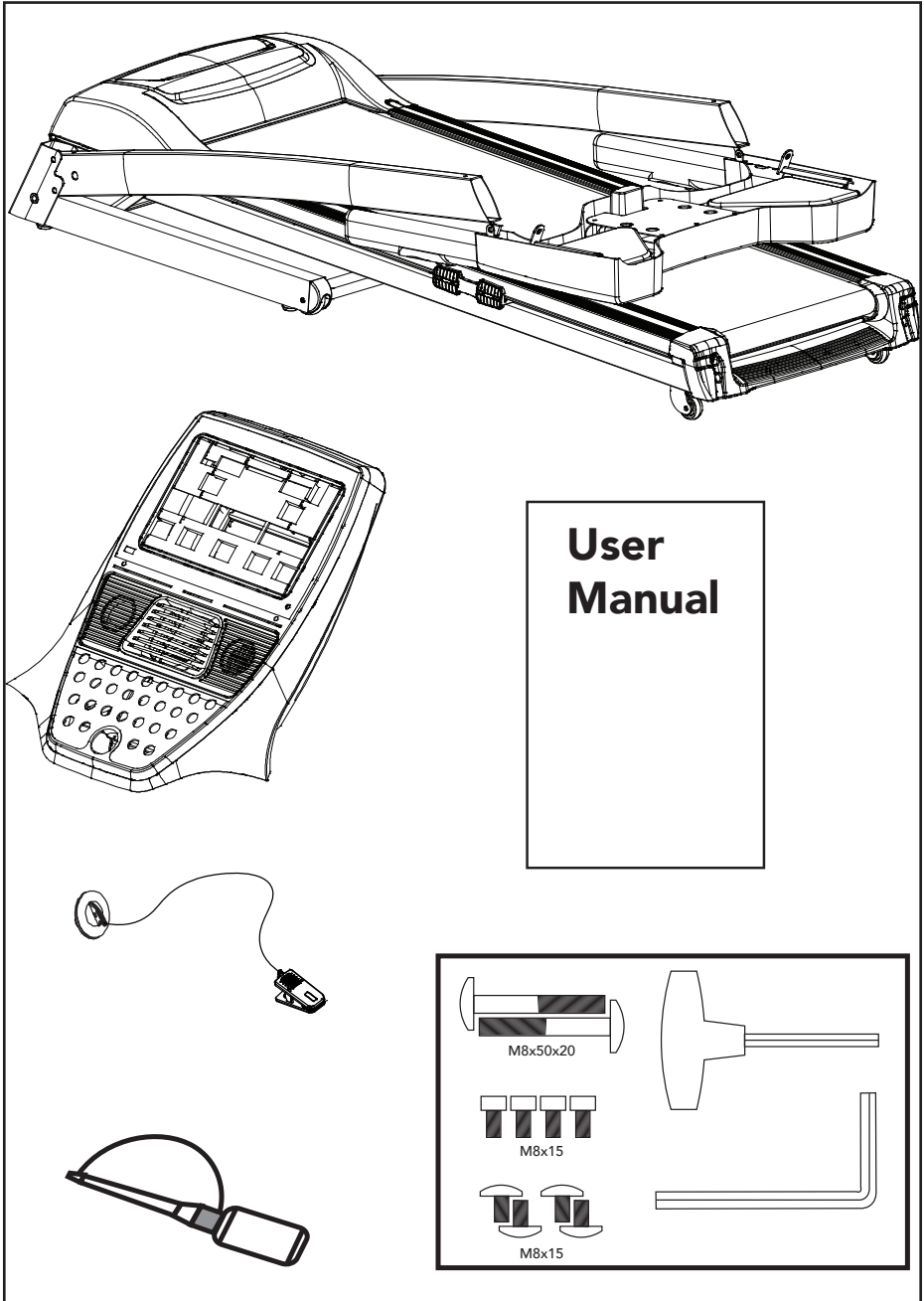
**Attention, Achtung, Attention, Attentie,
Attenzione, Atención, Giv akt, Huomio**

- Please read this Owner's manual before assembling this product.
- Bitte lesen Sie dieses Handbuch durch, bevor Sie mit er Montage dieses Produkts beginnen.
- Veuillez lire ce manuel avant de commencer le montage de ce produit.
- Leest u deze handleiding voordat u dit apparaat installeert.
- Leggere questo manuale prima di assemblare questo prodotto.
- Lea este manual antes de montar este producto.
- Läs bruksanvisningen innan du monterar denna produkt.
- Lue tämä käsikirja ennen kokoamista tuotetta.

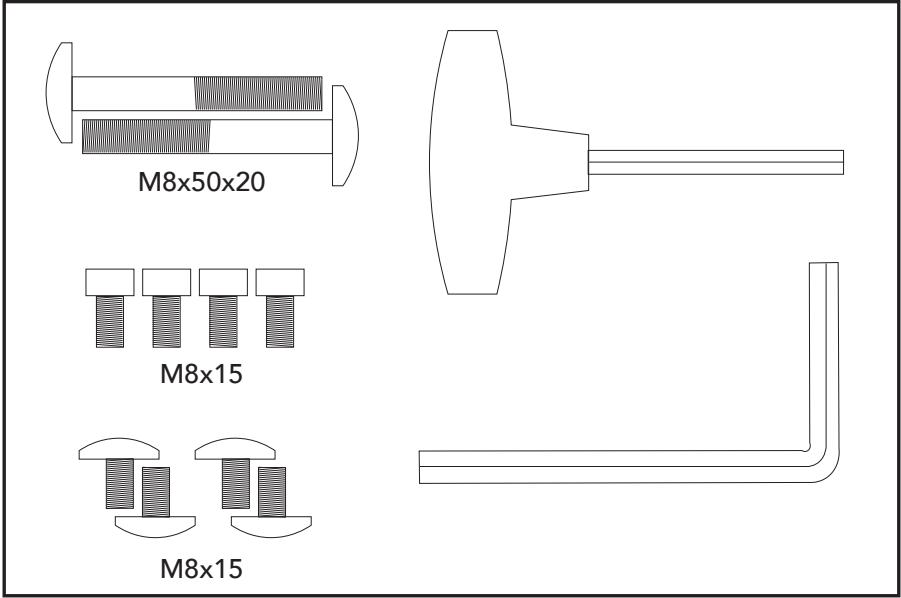
A



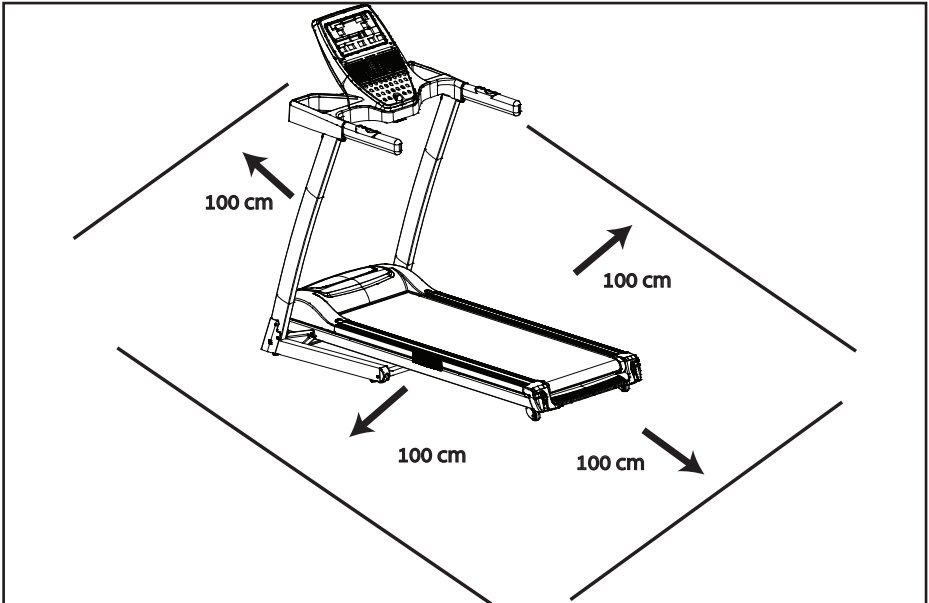
B



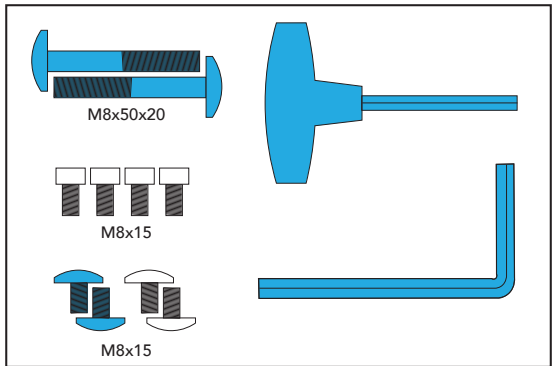
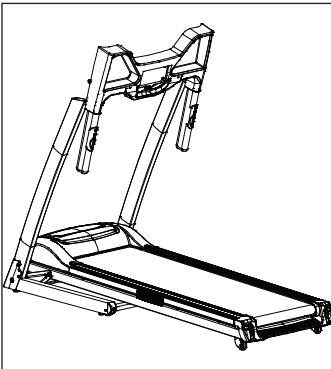
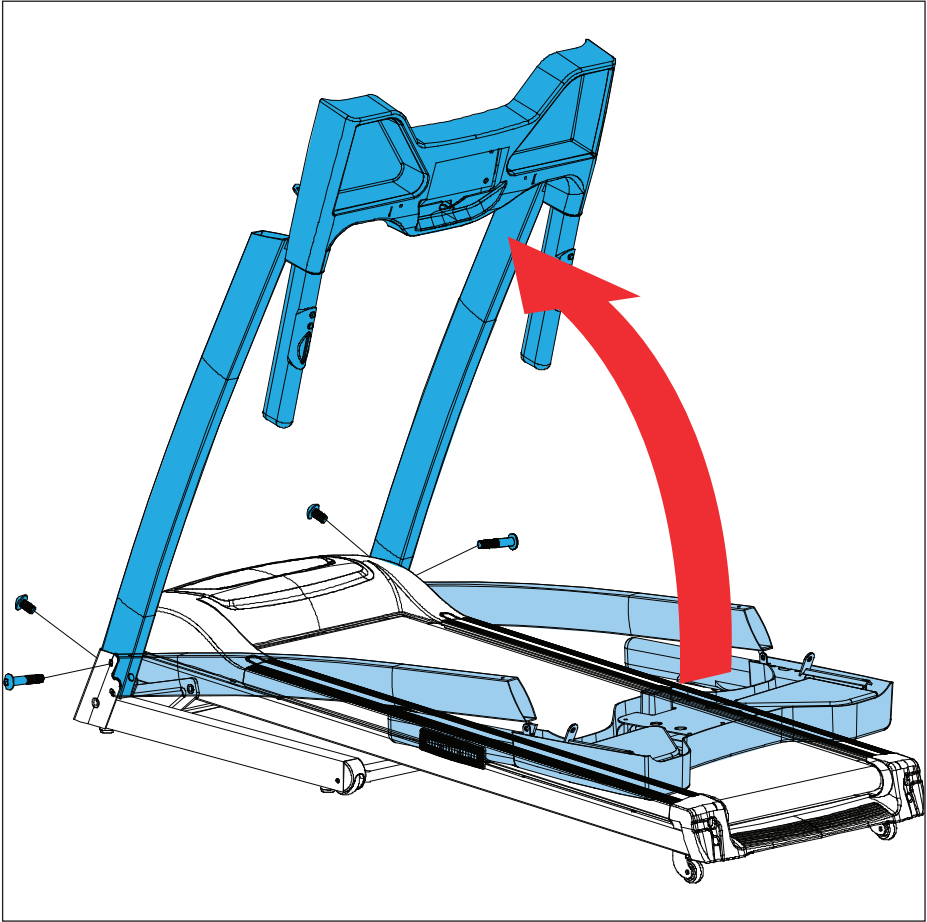
C



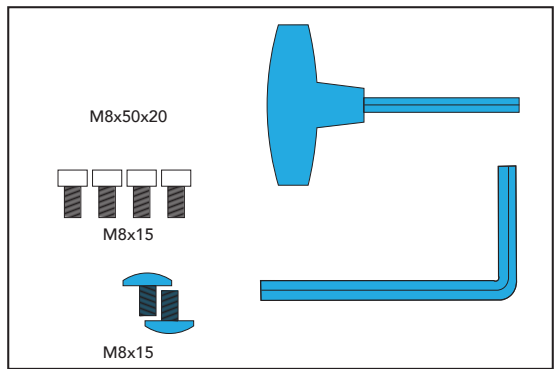
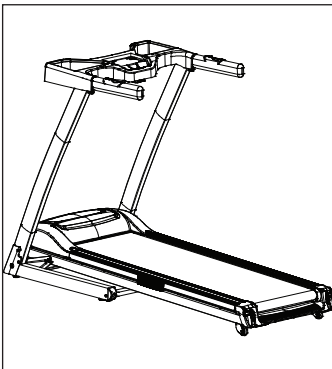
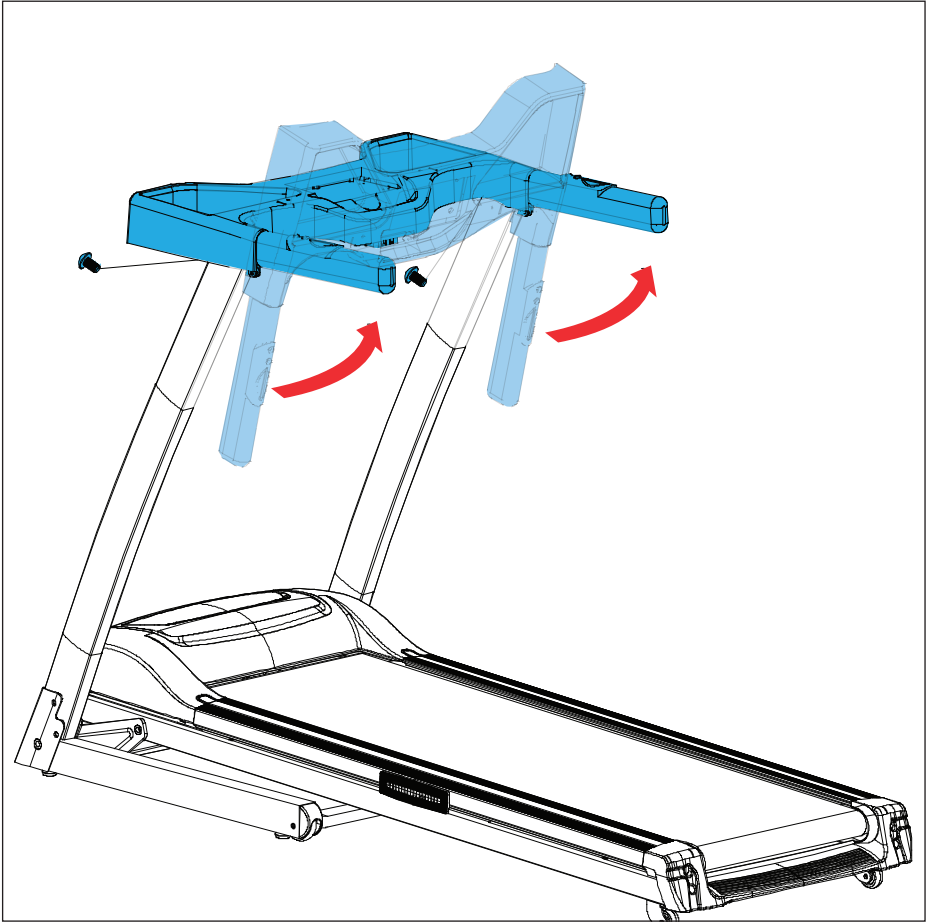
D



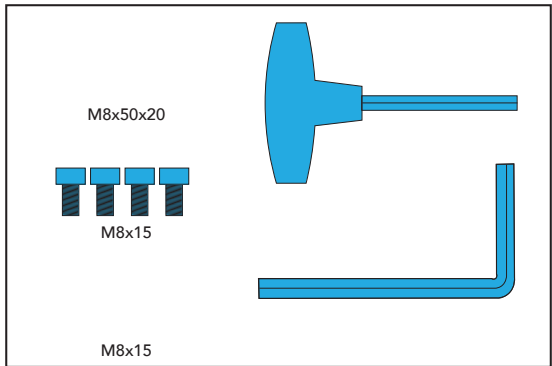
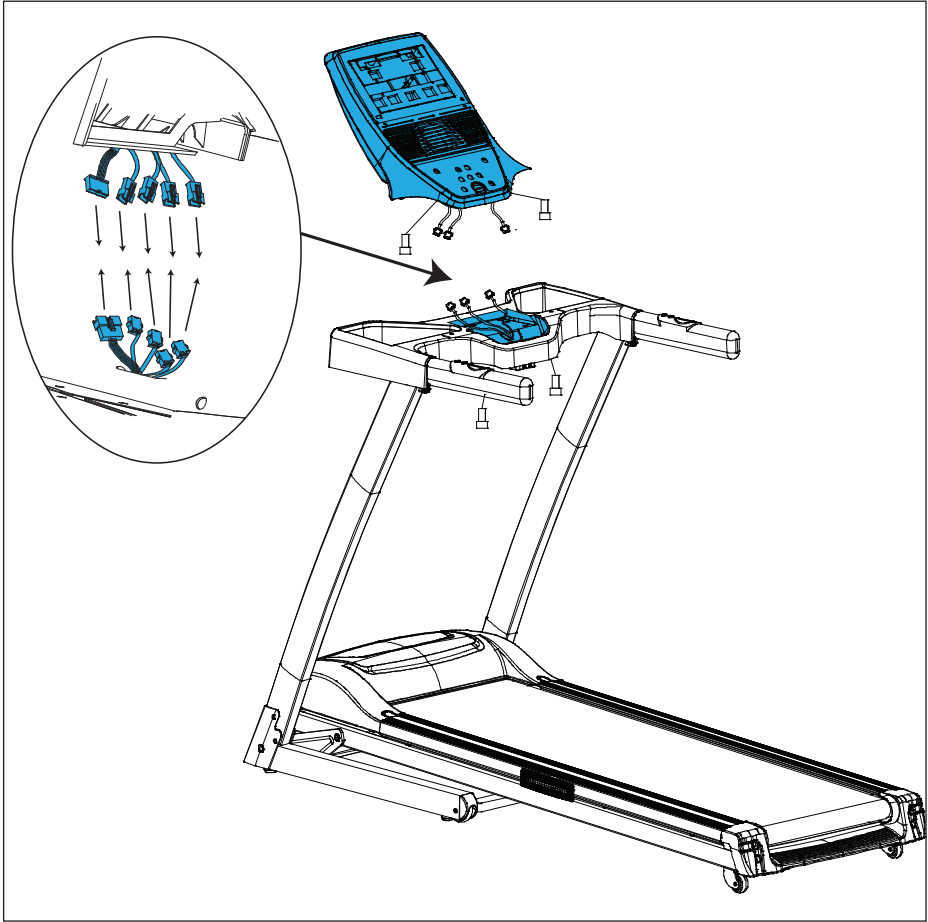
D-1



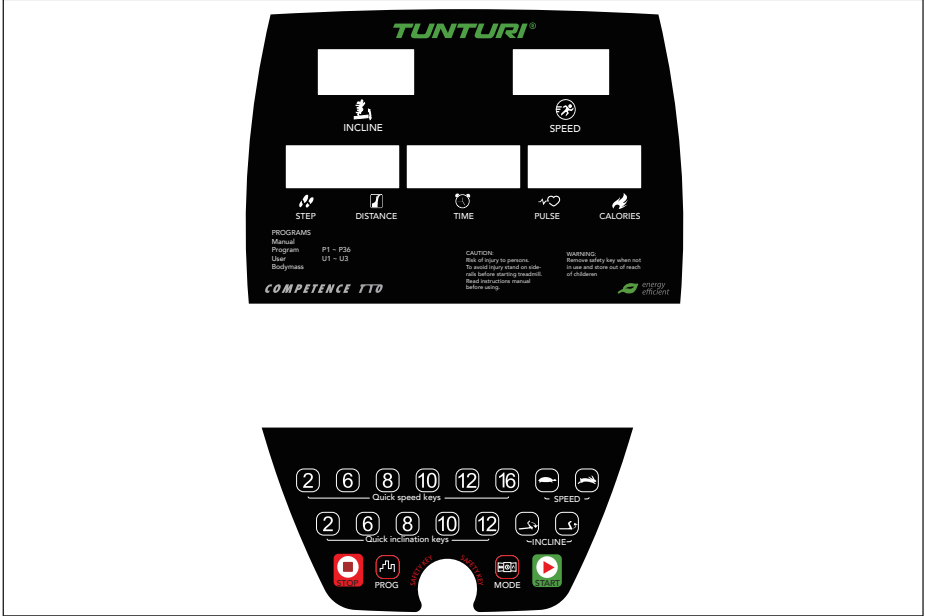
D-2



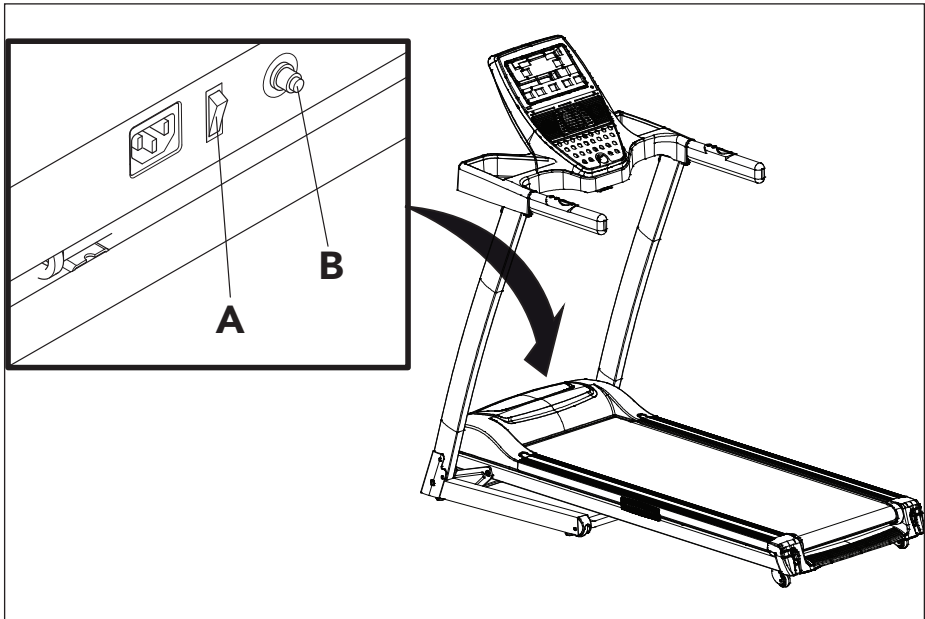
D-3



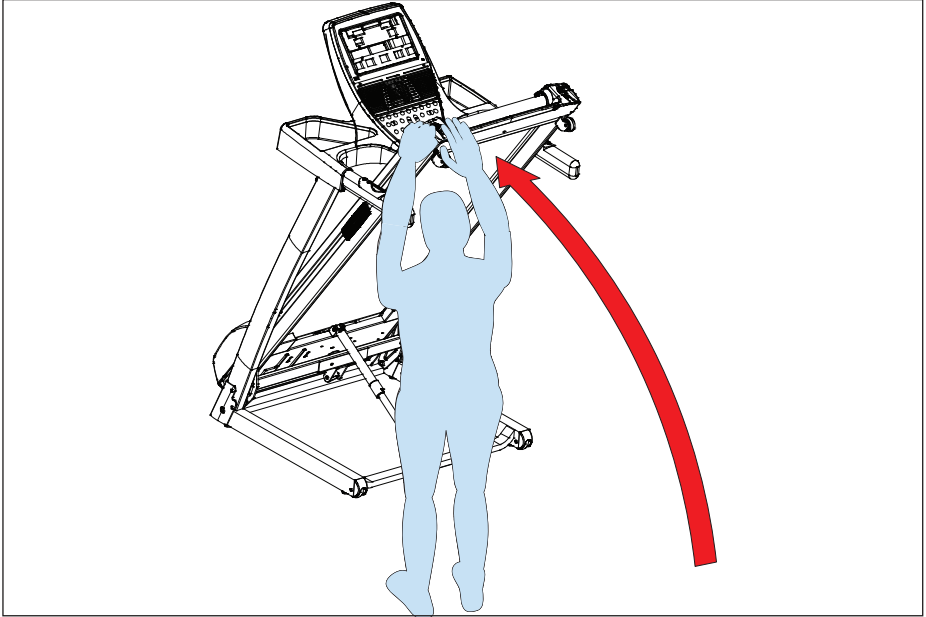
E-1



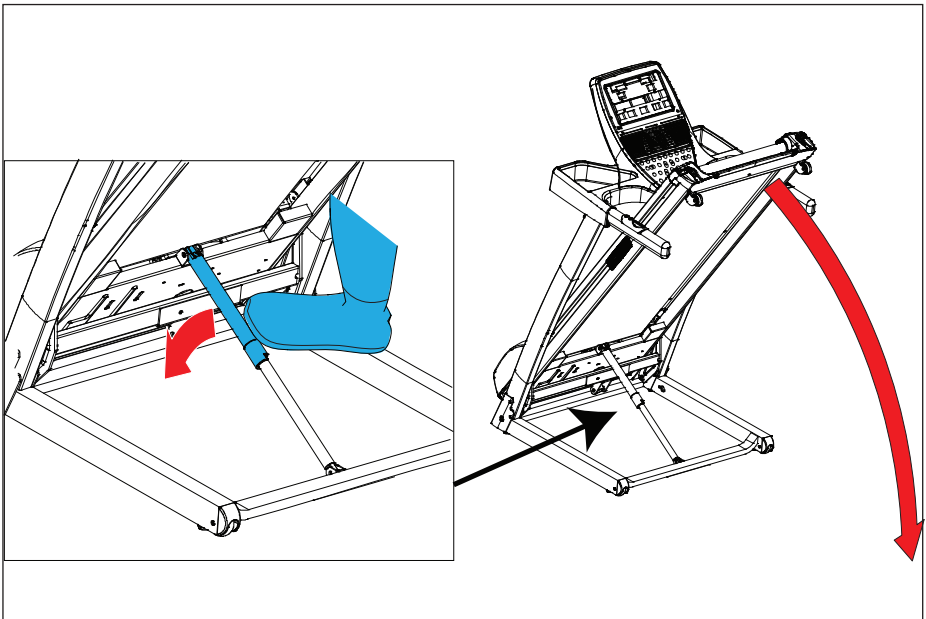
E-2



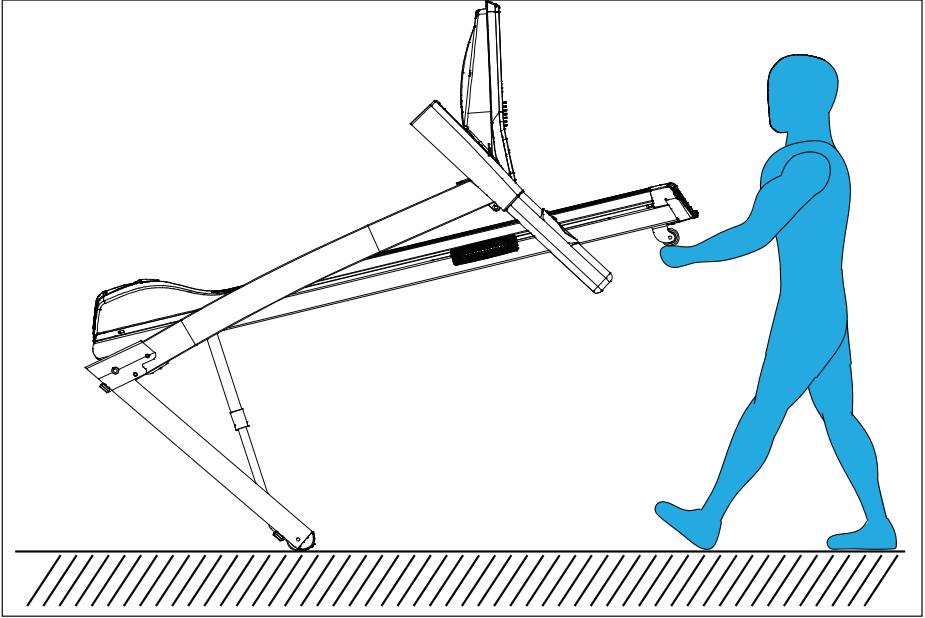
F-1



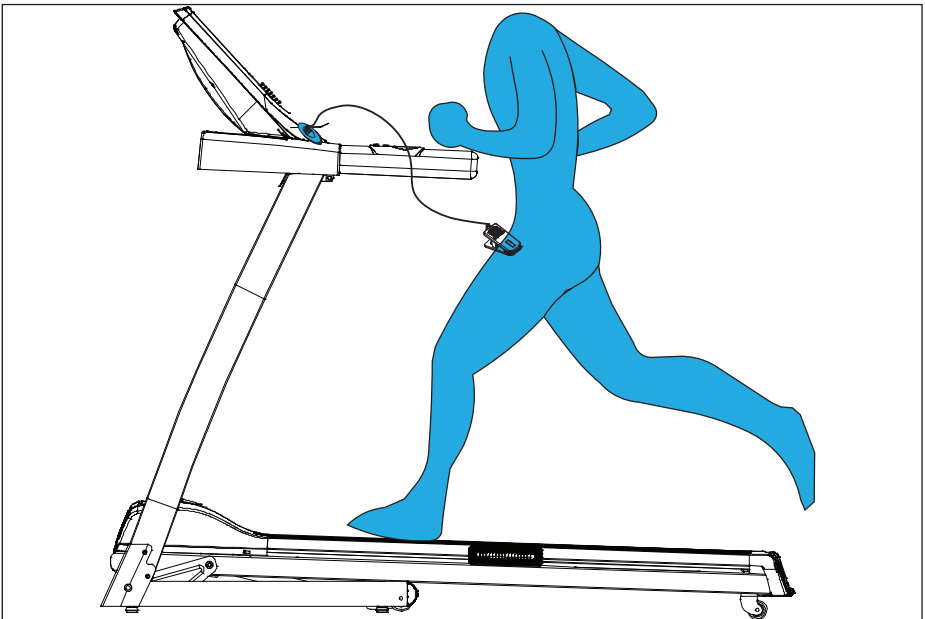
F-2



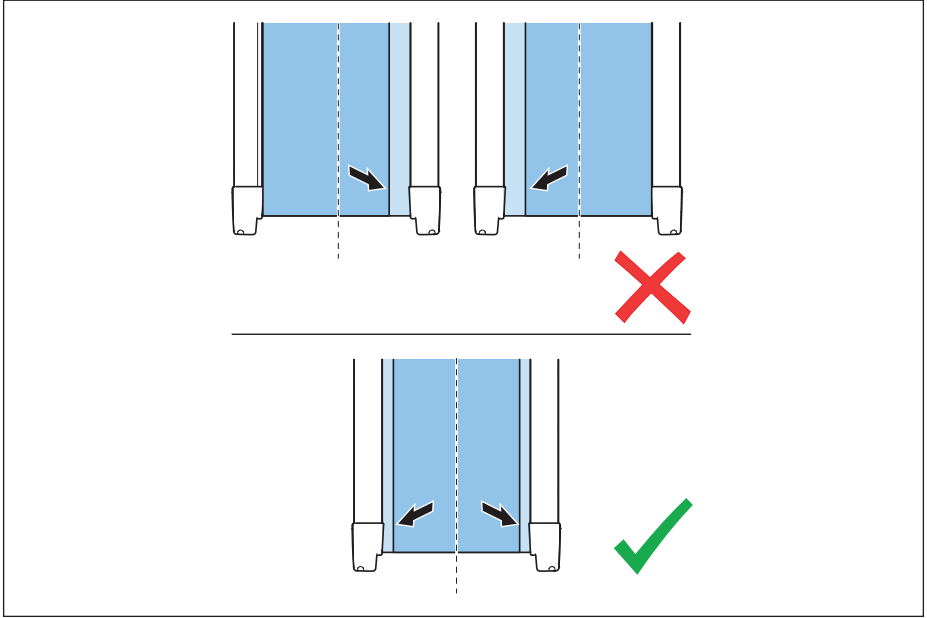
F-3



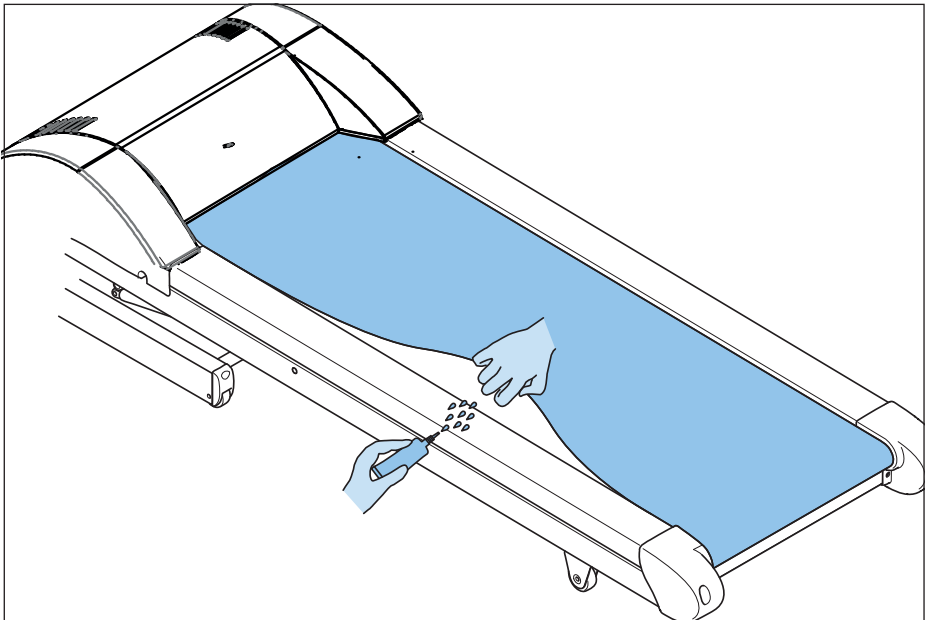
F-4



F-5



F-6



G

Section		1	2	3	4	5	6	7	8	9	10	11	12	
Prog.														
P1	Speed	1.0	3.0	3.0	7.0	7.0	5.0	5.0	5.0	7.0	7.0	5.0	5.0	Km/H
	Incline	2	2	6	6	8	8	6	6	4	4	4	6	%
P2	Speed	2.0	3.0	3.0	6.0	5.0	5.0	8.0	5.0	5.0	6.0	8.0	8.0	Km/H
	Incline	3	3	9	9	9	2	2	8	8	4	1	1	%
P3	Speed	2.0	3.0	5.0	5.0	7.0	7.0	8.0	5.0	5.0	6.0	8.0	8.0	Km/H
	Incline	1	2	3	4	5	5	7	7	4	4	4	4	%
P4	Speed	2.0	2.0	3.0	5.0	5.0	5.0	8.0	8.0	8.0	8.0	5.0	5.0	Km/H
	Incline	3	3	6	6	6	9	9	9	9	9	9	6	%
P5	Speed	3.0	4.0	5.0	6.0	7.0	8.0	9.0	10.0	10.0	10.0	9.0	8.0	Km/H
	Incline	2	2	4	4	8	8	6	6	6	6	8	7	%
P6	Speed	3.0	4.0	5.0	5.0	6.0	6.0	7.0	7.0	7.0	9.0	9.0	10.0	Km/H
	Incline	1	8	8	8	8	8	7	7	7	7	7	5	%
P7	Speed	3.0	4.0	9.0	4.0	11.0	4.0	10.0	4.0	9.0	4.0	8.0	4.0	Km/H
	Incline	1	1	4	4	4	6	6	6	8	8	8	10	%
P8	Speed	3.0	5.0	8.0	3.0	5.0	7.0	9.0	3.0	5.0	7.0	10.0	3.0	Km/H
	Incline	3	3	8	8	3	3	7	7	3	3	6	6	%
P9	Speed	3.0	7.0	9.0	4.0	7.0	10.0	4.0	7.0	11.0	5.0	7.0	12.0	Km/H
	Incline	3	6	6	3	7	7	3	8	8	3	9	9	%
P10	Speed	3.0	5.0	6.0	6.0	6.0	9.0	10.0	6.0	6.0	9.0	10.0	6.0	Km/H
	Incline	2	7	7	7	5	5	5	8	8	8	8	8	%
P11	Speed	4.0	5.0	7.0	9.0	10.0	11.0	9.0	6.0	8.0	9.0	10.0	10.0	Km/H
	Incline	1	6	6	6	3	3	3	7	7	4	4	4	%
P12	Speed	4.0	6.0	10.0	10.0	7.0	10.0	10.0	10.0	7.0	7.0	10.0	10.0	Km/H
	Incline	3	8	8	6	9	9	5	5	8	8	8	4	%
P13	Speed	4.0	12.0	4.0	12.0	4.0	12.0	4.0	12.0	4.0	12.0	4.0	12.0	Km/H
	Incline	4	8	10	12	4	8	10	12	4	8	10	12	%
P14	Speed	2.0	3.0	3.0	6.0	9.0	11.0	3.0	6.0	9.0	11.0	3.0	6.0	Km/H
	Incline	5	9	11	12	5	9	11	12	5	9	11	12	%
P15	Speed	4.0	6.0	11.0	11.0	9.0	6.0	11.0	11.0	9.0	6.0	11.0	11.0	Km/H
	Incline	2	3	4	5	6	8	7	8	8	7	7	6	%
P16	Speed	2.0	4.0	4.0	12.0	4.0	12.0	4.0	12.0	4.0	12.0	4.0	12.0	Km/H
	Incline	2	4	5	6	2	4	5	6	2	4	5	6	%
P17	Speed	2.0	2.0	2.0	4.0	6.0	6.0	9.0	11.0	11.0	2.0	4.0	6.0	Km/H
	Incline	2	4	6	8	10	12	12	12	12	12	12	10	%

P18	Speed	3.0	6.0	3.0	6.0	6.0	3.0	6.0	6.0	3.0	6.0	6.0	3.0	Km/H
	Incline	2	6	8	2	6	8	2	6	8	2	6	8	%
P19	Speed	4.0	12.0	4.0	12.0	4.0	12.0	4.0	12.0	4.0	12.0	4.0	12.0	Km/H
	Incline	10	8	6	4	10	8	6	4	10	8	6	4	%
P20	Speed	5.0	13.0	5.0	13.0	5.0	13.0	5.0	13.0	5.0	13.0	5.0	13.0	Km/H
	Incline	12	8	2	12	8	2	12	8	2	12	8	2	%
P21	Speed	2.0	6.0	2.0	6.0	11.0	2.0	6.0	11.0	2.0	6.0	11.0	2.0	Km/H
	Incline	12	9	3	12	9	3	12	9	3	12	9	3	%
P22	Speed	4.0	6.0	11.0	6.0	2.0	11.0	6.0	2.0	11.0	6.0	2.0	11.0	Km/H
	Incline	2	4	10	2	4	10	2	6	12	6	8	12	%
P23	Speed	4.0	6.0	11.0	6.0	6.0	2.0	11.0	6.0	6.0	2.0	11.0	6.0	Km/H
	Incline	2	3	4	5	6	6	7	8	10	11	12	12	%
P24	Speed	4.0	6.0	11.0	6.0	4.0	11.0	6.0	4.0	11.0	6.0	4.0	11.0	Km/H
	Incline	4	4	5	6	7	8	10	10	12	12	12	12	%
P25	Speed	5.0	13.0	5.0	13.0	5.0	13.0	5.0	13.0	5.0	13.0	5.0	13.0	Km/H
	Incline	5	9	11	12	5	9	11	12	5	9	11	12	%
P26	Speed	3.0	4.0	4.0	7.0	10.0	12.0	4.0	7.0	10.0	12.0	4.0	7.0	Km/H
	Incline	6	10	12	12	6	10	11	12	6	10	12	12	%
P27	Speed	5.0	7.0	12.0	12.0	10.0	7.0	12.0	12.0	10.0	7.0	12.0	12.0	Km/H
	Incline	3	4	5	6	7	9	8	9	9	8	8	7	%
P28	Speed	3.0	5.0	5.0	13.0	5.0	13.0	5.0	13.0	5.0	13.0	5.0	13.0	Km/H
	Incline	3	5	6	7	3	5	6	7	3	5	6	7	%
P29	Speed	3.0	3.0	3.0	5.0	7.0	7.0	10.0	12.0	12.0	3.0	5.0	7.0	Km/H
	Incline	3	5	7	9	11	12	12	12	12	12	12	11	%
P30	Speed	4.0	7.0	4.0	7.0	7.0	4.0	7.0	7.0	4.0	7.0	7.0	4.0	Km/H
	Incline	3	7	9	3	7	9	3	7	9	3	7	9	%
P31	Speed	5.0	13.0	5.0	13.0	5.0	13.0	5.0	13.0	5.0	13.0	5.0	13.0	Km/H
	Incline	11	9	7	5	11	9	7	5	11	9	7	5	%
P32	Speed	6.0	14.0	6.0	14.0	6.0	14.0	6.0	14.0	6.0	14.0	6.0	14.0	Km/H
	Incline	12	9	3	12	9	3	12	9	3	12	9	3	%
P33	Speed	3.0	7.0	3.0	7.0	12.0	3.0	7.0	12.0	3.0	7.0	12.0	7.0	Km/H
	Incline	12	10	4	12	10	4	12	10	4	12	10	4	%
P34	Speed	5.0	7.0	12.0	7.0	3.0	12.0	7.0	3.0	12.0	7.0	3.0	12.0	Km/H
	Incline	3	5	11	3	5	11	3	7	12	7	9	12	%
P35	Speed	5.0	7.0	12.0	7.0	7.0	3.0	12.0	7.0	7.0	3.0	12.0	7.0	Km/H
	Incline	3	4	5	6	7	7	8	9	11	12	12	12	%
P36	Speed	5.0	7.0	12.0	7.0	5.0	12.0	7.0	5.0	12.0	7.0	5.0	12.0	Km/H
	Incline	5	5	6	7	8	9	11	11	12	12	12	12	%

Contents

Treadmill	15
Safety warnings	15
Electrical safety.....	16
Description (fig. A).....	17
Package contents (fig. B & C).....	17
Assembly (fig. D).....	17
Workouts.....	17
Exercise Instructions.....	17
Heart rate.....	18
Use	18
Console (fig. E-1)	19
Buttons.....	19
Explanation of display items (Fig. H).....	20
Programs	21
Quick start.....	21
Manual mode (P0).....	21
End your workout.....	21
Warranty	22
Cleaning and maintenance	23
Lubrication (fig. F-4).....	23
Troubleshooting	24
Transport and storage	25
Additional information.....	25
Declaration of the manufacturer	25
Disclaimer	25

Treadmill

Welcome to the world of Tunturi!
Thank you for purchasing this piece of Tunturi equipment. Tunturi offers a wide range of home fitness equipment, including Crosstrainers, treadmills, exercise bikes and rowers. The Tunturi equipment is suitable for the entire family, no matter what fitness level. For more information, please visit our website www.tunturi.com

Important Safety Instructions

This Owner's Manual is an essential part of your training equipment: reading all instructions in this manual before you start using this appliance. The following precautions must always be followed:

Safety warnings



WARNING

- Read the safety warnings and the instructions. Failure to follow the safety warnings and the instructions can cause personal injury or damage to the equipment. Keep the safety warnings and the instructions for future reference.



WARNING

- Heart rate monitoring systems may be inaccurate. Over exercise may result in serious injury or death. If you feel faint stop exercising immediately.
- The equipment is suitable for domestic use only. The equipment is not suitable for commercial use.
- Max. usage is limited to 3 hrs a day.
- The use of this equipment by children or persons with a physical, sensory, mental or motorial disability, or lack of experience and knowledge can give cause to hazards. Persons responsible for their safety must give explicit instructions or supervise the use of the equipment.
- Before starting your workout, consult a physician to check your health.
- If you experience nausea, dizziness or other abnormal symptoms, immediately stop your workout and consult a physician.
- To avoid muscular pain and strain, start each workout by warming up and finish each workout by cooling down. Remember to stretch at the end of the workout.
- The equipment is suitable for indoor use only. The equipment is not suitable for outdoor use.
- Only use the equipment in environments with adequate ventilation. Do not use the equipment in draughty environments in order not to catch a cold.

- Only use the equipment in environments with ambient temperatures between 10 °C and 35 °C. Only store the equipment in environments with ambient temperatures between 5 °C and 45 °C.
- Do not use or store the equipment in humid surroundings. The air humidity must never be more than 80%.
- Only use the equipment for its intended purpose. Do not use the equipment for other purposes than described in the manual.
- Do not use the equipment if any part is damaged or defective. If a part is damaged or defective, contact your dealer.
- Keep your hands, feet and other body parts away from the moving parts.
- Keep your hair away from the moving parts.
- Wear appropriate clothing and shoes.
- Keep clothing, jewelry and other objects away from the moving parts.
- Make sure that only one person uses the equipment at a time. The equipment must not be used by persons weighing more than 135 kg (300 lbs).
- Do not open equipment without consulting your dealer.

Electrical safety

(Only for equipment with electric power)

- Before use, always check that the mains voltage is the same as the voltage on the rating plate of the equipment.
- Do not use an extension cable.
- Keep the mains cable away from heat, oil and sharp edges.
- Do not alter or modify the mains cable or the mains plug.
- Do not use the equipment if the mains cable or the mains plug is damaged or defective. If the mains cable or the mains plug is damaged or defective, contact your dealer.
- Always fully unwind the mains cable.
- Do not run the mains cable underneath the equipment. Do not run the mains cable underneath a carpet. Do not place any objects on the mains cable.
- Make sure that the mains cable does not hang over the edge of a table.

- Make sure that the mains cable cannot be caught accidentally or tripped over.
- Do not leave the equipment unattended when the mains plug is inserted into the wall socket.
- Do not pull the mains cable to remove the mains plug from the wall socket.
- Remove the mains plug from the wall socket when the equipment is not in use, before assembly or disassembly and before cleaning and maintenance.



CAUTION

- If voltage varies by ten percent (10%) or more, the performance of your treadmill may be affected. Such conditions are not covered under your warranty. If you suspect the voltage is low, contact your local power company or a licensed electrician for proper testing.



CAUTION

- NEVER use a RCD - Residual Current Device (U.S. ver.= GFCI) - wall outlet with this treadmill. As with any appliance with a large motor, the RCD/GFCI will trip often. Route the power mains cord away from any moving part of the treadmill including the elevation mechanism and transport wheels.

Grounding Instructions

This product must be grounded. If the treadmill's electrical system should malfunction or breakdown grounding provides a path of least resistance for electric current, reducing the risk of electric shock. This product is equipped with a cord having an equipment-grounding plug. The plug must be plugged into an appropriate outlet that is properly installed and grounded in accordance with all local codes and ordinances.



WARNING

- Improper connection of the equipment-grounding conductor can result in a risk of electric shock. Check with a qualified electrician or serviceman if you are in doubt as to whether the product is properly grounded. Do not modify the plug provided with the product if it will not fit the outlet; have a proper outlet installed by a qualified electrician.

Description (fig. A)

Your treadmill is a piece of stationary fitness equipment used to simulate walking or running without causing excessive pressure to the joints.

Package contents (fig. B & C)

- The package contains the parts as shown in fig. B.
- The package contains the fasteners as shown in fig. C. Refer to the section "Description"



NOTE

- If a part is missing, contact your dealer.

Assembly (fig. D)



WARNING

- Assemble the equipment in the given order.
- Carry and move the equipment with at least two persons.



CAUTION

- Place the equipment on a firm, level surface.
- Place the equipment on a protective base to prevent damage to the floor surface.
- Allow at least 100 cm of clearance around the equipment.
- Refer to the illustrations for the correct assembly of the equipment.

Workouts

The workout must be suitably light, but of long duration. Aerobic exercise is based on improving the body's maximum oxygen uptake, which in turn improves endurance and fitness. You should perspire, but you should not get out of breath during the workout.

To reach and maintain a basic fitness level, exercise at least three times a week, 30 minutes at a time. Increase the number of exercise sessions to improve your fitness level. It is worthwhile to combine regular exercise with a healthy diet. A person committed to dieting should exercise daily, at first 30 minutes or less at a time, gradually increasing the daily workout time to one hour. Start your workout at low speed and low resistance to prevent the cardiovascular system from being subjected to excessive strain.

As the fitness level improves, speed and resistance can be increased gradually. The efficiency of your exercise can be measured by monitoring your heart rate and your pulse rate.

Exercise Instructions

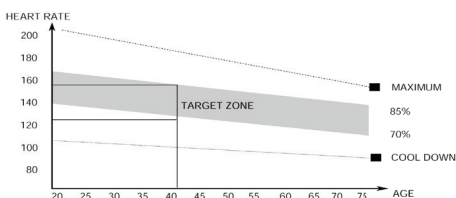
Using your fitness trainer will provide you with several benefits, it will improve your physical fitness, tone muscle and in conjunction with a calorie controlled diet help you lose weight.

The warming up phase

This stage helps get the blood flowing around the body and the muscles working properly. It will also reduce the risk of cramp and muscle injury. It is advisable to do a few stretching exercises as shown below. Each stretch should be held for approximately 30 seconds, do not force or jerk your muscles into a stretch - if it hurts, STOP

The exercise phase

This is the stage where you put the effort in. After regular use, the muscles in your legs will become more flexible. Work to your but it is very important to maintain a steady tempo throughout. The rate of work should be sufficient to raise your heart beat into the target zone shown on the graph below.



This stage should last for a minimum of 12 minutes though most people start at about 15-20 minutes

The cool down phase

This stage is to let your Cardiovascular System and muscles wind down. This is a repeat of the warm up exercise e.g. reduce your tempo, continue for approximately 5 minutes. The stretching exercises should now be repeated, again remembering not to force or jerk your muscles into the stretch.

As you get fitter you may need to train longer and harder. It is advisable to train at least three times a week, and if possible space your workouts evenly throughout the week.

Muscle toning

To tone muscle while on your fitness trainer you will need to have the resistance set quite high. This will put more strain on our leg muscles and may mean you cannot train for as long as you would like. If you are also trying to improve your fitness you need to alter your training program. You should train as normal during the warm up and cool down phases, but towards the end of the exercise phase you should increase resistance making your legs work harder. You will have to reduce your speed to keep your heart rate in the target zone.

Weight loss

The important factor here is the amount of effort you put in. The harder and longer you work the more calories you will burn. Effectively this is the same as if you were training to improve your fitness, the difference is the goal.

Heart rate

Pulse rate measurement (hand pulse sensors)

The pulse rate is measured by sensors in the handlebars when the user is touching both sensors at the same time. Accurate pulse measurement requires that the skin is slightly moist and constantly touching the hand pulse sensors. If the skin is too dry or too moist, the pulse rate measurement will become less accurate.

NOTE

- Do not use the hand pulse sensors in combination with a heart rate chest belt.
- If you set a heart rate limit for your workout, an alarm will sound when it is exceeded.

Maximum heart rate (during training)

The maximum heart rate is the highest heart rate a person can safely achieve through exercise stress. The following formula is used to calculate the average maximum heart rate: $220 - AGE$. The maximum heart rate varies from person to person.

WARNING

- Make sure that you do not exceed your maximum heart rate during your workout. If you belong to a risk group, consult a physician.

Beginner 50-60% of maximum heart rate

Suitable for beginners, weight-watchers, convalescents and persons who have not exercised for a long time. Exercise at least three times a week, 30 minutes at a time.

Advanced 60-70% of maximum heart rate

Suitable for persons who want to improve and maintain fitness. Exercise at least three times a week, 30 minutes at a time.

Expert 70-80% of maximum heart rate

Suitable for the fittest of persons who are used to long-endurance workouts.

Use

Master power switch (fig. E-2A)

The equipment is equipped with a master power switch to shut down the equipment completely.

To start the equipment:

- Insert the mains plug into the equipment.
- Insert the mains plug into the wall socket.
- Set the master power switch to the on position.

To stop the equipment:

- Set the mains power switch to the off position.
- Remove the mains plug from the wall socket.
- Remove the mains plug from the equipment.

Safety key (Fig F-4)

The equipment is equipped with a safety key that must be properly inserted into the console to start the equipment. If you remove the safety key from the console, the equipment will stop immediately.

- Insert the safety key into the slot in the console.
- Make sure that the clip of the safety key is properly attached to your clothing. Make sure that the clip is not removed from your clothing before the safety key is removed from the console.

Circuit breaker (Fig. E-2B)

The equipment is equipped with a circuit breaker that interrupts the circuit when the electricity load is above the maximum capacity. When this occurs, the circuit breaker must be pressed.

**WARNING**

- Before pressing the circuit breaker, remove the mains plug from the equipment.

If the equipment shuts down, proceed as follows to restart the equipment:

- Remove the mains plug from the equipment.
- Press the circuit breaker to restart the equipment.
- Insert the mains plug into the equipment.

**NOTE**

- Some circuit breakers used in homes are not rated for high inrush currents that can occur when a treadmill is first turned on or even during normal use. If your treadmill

is tripping the circuit breaker (even though it is the proper current rating and the treadmill is the only appliance on the circuit) but the circuit breaker on the treadmill itself does not trip, you will need to replace the breaker with a high inrush type. This is not a warranty defect. This is a condition we as a manufacture have no ability to control.

Unfolding and folding the equipment (fig. F1-F2)

The equipment can be unfolded for use (fig. F1) and folded for transport and storage (fig. F2). Refer to the illustrations for the correct way of unfolding and folding the equipment.

**CAUTION**

- Before folding the equipment, make sure that the incline is 0%. If the incline is not 0%, folding will damage the mechanism.

Console (fig. E-1)**CAUTION**

- Keep the console away from direct sunlight.
- Dry the surface of the console when it is covered with drops of sweat.
- Do not lean on the console.

**NOTE**

- The console switches to standby mode when the equipment is not used for 4 minutes.

Buttons**Stop**

- Start or Stop (pause) workout.
- Reset console when press and hold for 2 seconds in "stop mode"

Speed + (Hare)

- Increases the speed (1.0 - 16 Kph).
- Pressing once increases the speed 0,1 kph.
- Pressing and holding for two seconds will increase the speed faster.

- Scroll programs and change values in programming mode.

Speed - (Turtle)

- Decreases the speed (1.0 - 16 Kph).
- Pressing once decreases the speed 0,1 kph.
- Pressing and holding for two seconds will decrease the speed faster.
- Scroll programs and change values in programming mode.

Incline +

- Increases the incline (0%~10% ±1%).

Incline -:

- Decreases the incline (0%~10% ± 1%).

Mode

- Select program mode
- Confirm setting to enter next step in programming mode.
- During workout mode, switch display for Step/ Distance & Pulse/ Calories window.

Prog

- Select program mode

Start

- Start selected workout
- Press and hold for 2 seconds during workout, to stop and reset console.

Speed hot keys:

Speed Hot Keys are set as 2, 6, 8, 10, 12, & 16. For example, the speed changes from any speed to 8 KPH by pressing the Speed Hot Key 8.

Incline hot keys.

Incline Hot Keys are set as 2, 6, 8, 10 & 12 %. For example, the incline level changes from any level to 6 % by pressing the Incline Hot Key 6.

Handle bar speed quick-access keys:

- + Same as Speed +.
- - Same as Speed -.

Handle bar incline quick-access keys:

- + : Same as Incline +.
- - : Same as Incline -.

Explanation of display items

(Fig. H)

Speed

- Shows the actual treadmill speed in workout mode.
- Shows target speed in programming mode.

Incline

- Shows the actual treadmill incline in workout mode.
- Shows target incline in programming mode.

Distance

- Shows the ran distance workout mode.
- Shows the target distance when being in programming mode.
- Shows program selection when being in program mode.

Time

- Shows the ran time in workout mode.
- Shows the target time when being in programming mode.

Pulse

- Shows the pulse rate in workout mode, or "P" when no pulse is measured.

Calories

- Shows the consumed calories in workout mode.



NOTE

- This data is a rough guide for comparison of different exercise sessions which cannot be used in medical treatment



NOTE

- Display for "Step/ Distance" & "Pulse/ Calories" scans every 5 seconds.
- Use "MODE" button to freeze display, or start scan again when in freeze mode.

Programs

Quick start

- Press "START" button to start your workout without any pre-set settings.
- Treadmill will start at minimum speed of 1,0 Kmh, and maintains the current set incline setting.
- Adjust SPEED / INCLINE manually at any time to change your workout, and stop/ pause at anytime.

Manual mode (P0)

- Press "MODE" button to open programming mode.
- Press "PROG" buttons to select "P0" program, press "MODE" button to confirm.
- Press "SPEED +/-" buttons to set your desired training time
Default training time is set on 30:00 minutes.
Range 10:00~99:00 min.

NOTE

- When set 00:00 minutes, the training will not stop, unless stopped manually.
- Press "START" button to start your workout.

End your workout

- Pause your workout at any time by press "STOP" button once.
Display will show "PAUS" when being in pause mode.
- Press "START" button to resume training when being in "PAUSE" mode.
- Press and hold "STOP" button to stop workout and reset console.

Preset Programs (P1~P36)

The equipment has 36 pre-set programs with different profiles. (Fig G)

- Press "MODE" button to open programming mode.

- Press "PROG" buttons to select "P1~P36" program, press "MODE" button to confirm.
- Press "SPEED +/-" buttons to set your desired training time
Default training time is set on 30:00 minutes.
Range 10:00~99:00 min.

NOTE

- When set 00:00 minutes, the training will not stop, unless stopped manually.
- Press "START" button to start your workout.

User programs (U-01~U-03)

The equipment has 3 user programs.

Each user program can be adjusted to personal requirements.

Each user program has a maximum of 12 steps. The speed and the incline can be set for each step.

Each steps takes 1/12 of the total amount of time.

- Press "MODE" button to open programming mode.
- Press "PROG" buttons to select "U-01~U-03" program, press "MODE" button to confirm.
- Press "SPEED +/-" buttons to set your desired training time
Default training time is set on 30:00 minutes.
Range 10:00~99:00 min.
The "Distance" display shows "01".
- Press the "SPEED +/-" buttons to set the speed. Press the "INCLINE +/-" buttons to set the incline. Press the "MODE" button to confirm.
The main display shows "SE02"
- Repeat the above action to configure the other steps.
- Press the "START" button to start the program.

Body Fat

The Body Fat program is program to indicate your fiscal state, based on your body parameters and heart rate.

- Press "MODE" button to open programming mode.
- Press "PROG" buttons to select "FAT" program, press "MODE" button to confirm.

- The "Distance" display shows "F1" (SEX) .
The "Calories" display shows "1"
Press "SPEED +/-" buttons to select:
1: Male/ 2: Female press "MODE" button to confirm.
- The "Distance" display shows "F2" (Age) .
The "Calories" display shows "25"
Press "SPEED +/-" buttons to select:10~99
press "MODE" button to confirm.
- The "Distance" display shows "F3" (Height) .
The "Calories" display shows "170" cm
Press "SPEED +/-" buttons to select:100~220
cm
press "MODE" button to confirm.
- The "Distance" display shows "F4" (Weight) .
The "Calories" display shows "70"kg
Press "SPEED +/-" buttons to select: 20~150
kg
press "MODE" button to confirm.
- The "Distance" display shows "F5" (Active)
The "Calories" display shows "- - -"
(Measure)



CAUTION

- Holding the contact hand-grip heart rate measurement pads is required for this function.

Result calculation:

- BODY TYPE: (Body Fat ratio; 9 types)
 - FAT 0 ~17 Underweight
 - FAT 18 ~ 27 Standard
 - FAT 28 ~ up Overweight
- BF = Body Fat (in ratio %)
- Error code "ER" will show if no heart rate was detected during the BF measurement process.
- Press "MODE" button to leave Body Fat program.

Warranty

Warranty terms

The consumer is entitled to the applicable legal rights stated in the national legislation concerning the commerce of consumer goods. This warranty does not restrict these rights. The Purchaser's Warranty is only valid if the item is

used in an environment approved by Tunturi New Fitness BV for that particular equipment. The product-specific approved environment is stated in the Owner's Manual provided with your equipment.

Warranty conditions

The warranty conditions commence from the date of purchase. Warranty conditions may vary per country, so please consult your local dealer for the warranty conditions.

Warranty coverage

Under no circumstances shall Tunturi New Fitness BV or the Tunturi Distributor be liable by virtue of this warranty or otherwise for any special, indirect, secondary or consequential damages of any nature arising out of any use or inability to use this equipment.

Warranty limitations

This warranty covers manufacturing defects in the fitness equipment as originally packed by Tunturi New Fitness BV. The warranty shall apply only under conditions of normal, recommended use of the product as described in the Owner's Manual and providing that Tunturi New Fitness BV's instructions for installation, maintenance and use have been complied with. Neither Tunturi New Fitness BV's nor the Tunturi Distributors' obligations apply to defects due to reasons beyond their control. The warranty applies only to the original purchaser and is valid only in countries where Tunturi New Fitness BV has an authorised importer. The warranty does not extend to fitness equipment or components that have been modified without the consent of Tunturi New Fitness BV. Defects resulting from normal wear, misuse, abuse, corrosion, or damage incurred during loading or transportation are not covered.

The warranty does not cover sounds or noises emitted during use where these do not substantially impede the use of the equipment and where they are not caused by a fault in the equipment.

The warranty does not cover defects arising from the failure to carry periodic maintenance as outlined within the Owner's Manual for the

product. Furthermore, the warranty does not cover defects arising from usage and storage within an unsuitable environment as described within the Owner's Manual which should be indoors, dry, dust and grit free and within a temperature range of +15°C to +35°C. The warranty does not cover maintenance activities, such as cleaning, lubricating, and normal part adjustments, nor installation

procedures that customers can accomplish themselves, such as changing uncomplicated meters, pedals and other similar parts not requiring any dismantling/reassembling of the fitness equipment. Warranty repairs carried out by other than authorised Tunturi representatives are not covered.

Failure to follow the instructions given in the Owner's Manual will invalidate the product's warranty.

Cleaning and maintenance



WARNING

- Before cleaning and maintenance, remove the mains plug from the wall socket.
- Do not use solvents to clean the equipment.
- Do not block the ventilation openings. Keep the ventilation openings clear from dust, dirt and other obstructions.
- Clean the equipment with a soft, absorbent cloth after each use.
- Clean the visible parts of the equipment with a vacuum cleaner with a small suction nozzle
- Regularly check that all screws and nuts are tight.

Belt and Running Deck

Your treadmill uses a very high-efficient low-friction bed. Performance is maximized when the running deck is kept as clean as possible. Use a soft, damp cloth or paper towel to wipe the edge of the belt and the area between the belt edge and frame. Also reach as far as practical directly under the belt edge. This should be done once a month to extend belt

and running deck life. Use water only - no cleaners or abrasives. A mild soap and water solution along with a nylon scrub brush will clean the top of the textured belt. Allow the belt to dry before using.

Lubrication (fig. F-4)

The running belt must be checked for lubrication once per 2 months, based on the average use of 60 minutes per day.



WARNING

- Before lubrication, remove the mains plug from the wall socket.



CAUTION

- Only lubricate the running belt if necessary. If you apply too much lubricant, the running belt will slip easily due to lack of friction.
- Stand steadily on the running belt.
- Take hold of the front handlebar and push the running belt with your feet so that it slides back and forth. The running belt must move smoothly and evenly without making sound.
- If the running belt does not move smoothly and evenly or if the running belt does not move at all, touch the underside of the running belt with your fingertips to check the lubrication:
 - If you feel lubrication or your fingertips are shiny, there is sufficient lubrication on the running belt.
 - If you do not feel lubrication or your fingertips are dusty or rough, apply lubricant (15-20 ml) in the middle of the running deck under the running belt and let the equipment operate at 5km/h for at least 5 minutes.
 - After lubrication, do not fold the equipment before having done a workout for 20 minutes with a speed of at least 5 km/h. The lubricant will be spread evenly over the running belt.

Belt Dust

This occurs during normal break-in or until the belt stabilizes. Wiping excess off with a damp cloth will minimize build-up.

General Cleaning

Dirt, dust, and pet hair can block air inlets and accumulate on the running belt. On a monthly basis: vacuum underneath your treadmill to prevent buildup. Twice a year, you should remove the black motor hood and vacuum out dirt that may accumulate.

UNPLUG POWER CORD BEFORE THIS TASK.

Belt adjustments

Adjustment must be made from the rear roller. The adjustment bolts are located at the end of the step rails in the end caps.

- Tighten the rear roller bolts (clockwise) only enough to prevent slippage at the front roller. Turn both running belt tension adjustment bolts in increments of 1/4 turn each and inspect for proper tension by walking on the belt at a low speed, making sure the belt does not slip. Keep tensioning the bolts until the belt stops slipping.
- If you feel the belt is tight enough, but it still slips, the problem may be a loose Motor drive belt under the front cover.
- Do Not Over-tighten
Over tightening will cause belt damage and premature bearing failure.

Running belt tracking adjustment

The performance of your treadmill is dependent on the frame running on a reasonably level surface. If the frame is not level, the front and back roller cannot run parallel, and constant belt adjustment may be necessary.

The treadmill is designed to keep the running belt reasonably centered while in use. It is normal for some belts to drift near one side while the belt is running with no one on it. After a few minutes of use, the running belt should have a tendency to center itself. If, during use, the belt continues to move toward one side, adjustments are necessary.

Exception: During rehabilitation where the user is using one leg much stronger than the other, it might happen that the running belt drifts to one side. In these cases you should not adjust unless the running belt does not centre itself during normal condition usage.

To set running belt tracking (fig. F-5)

A 10 mm Allen wrench is provided to adjust the rear roller. Make tracking adjustments from the left side only. Set belt speed at approximately 3 to 5 kph.

Remember, a small adjustment can make a dramatic difference!

Turn the bolt clockwise to move the belt to the right. Counterclockwise to move to the left. Turn the bolt only a 1/4 turn and wait a few minutes for the belt to adjust itself. Continue to make 1/4 rotation turns until the belt stabilizes in the center of the running deck.

The belt may require periodic tracking adjustment depending on use and walking/running characteristics. Some users will affect tracking differently. Expect to make adjustments as required to center the tread-belt.

Adjustments will become less of a maintenance concern as the belt is used. Proper belt tracking is an owner responsibility common with all treadmills.



NOTE

- Damage to the running belt because of incorrect running-belt adjustments is not covered by the products warranty.

Troubleshooting

Despite continuous quality control, defects and malfunctions caused by individual components may occur in the equipment. In most cases it's unnecessary to take the whole device in for repair, as it's usually sufficient to replace the defective part.

If the equipment does not function properly during use, contact your Tunturi dealer immediately. Always give the model and serial

number of your equipment. Please state also the nature of the problem, conditions of use and purchase date.

If you require spare parts, always give the model, serial number of your equipment and the spare part number for the part you need. The spare part list is at the back of this manual. Use only spare parts mentioned in the spare part list.

Error codes

If the display shows an error code (marked with "E"/ "DC" + number), restart the equipment and check whether the display still shows the error code. If the display still shows the error code, immediately contact the dealer.

Transport and storage



WARNING

- Before cleaning and maintenance, remove the mains plug from the wall socket.
- Carry and move the equipment with at least two persons.
- Make sure that there are no other persons or objects under the equipment.
- When folding the folding the equipment, make sure that you hear the equipment lock into position to prevent the equipment from dropping back down.



CAUTION

- Before folding the equipment, make sure that the incline is 0%. If the incline is not 0%, folding will damage the mechanism.
- Move the equipment as shown (fig. F3). Move the equipment and carefully put the equipment down. Place the equipment on a protective base to prevent damage to the floor surface. Move the equipment carefully over uneven surfaces. Do not move the equipment upstairs using the wheels, but carry the equipment by the handlebars.
- Store the equipment in the upright position (fig. F1). Store the equipment in a dry place with as little temperature variation as possible.

Additional information

Packaging disposal

Government guidelines ask that we reduce the amount of waste material disposed of in land fill sites. We therefore ask that you dispose of all packaging waste responsibly at public recycling centres.

End of life disposal

We at Tunturi hope you enjoy many years of enjoyable use from your fitness trainer. However, a time will come when your fitness trainer will come to the end of its useful life. Under 'European WEEE Legislation you are responsible for the appropriate disposal of your fitness trainer to a recognised public collection facility.

Declaration of the manufacturer

Tunturi New Fitness BV declares that the product is in conformity with the following standards and directives: EN 957 (HB), 89/336/EEC. The product therefore carries the CE label.

01-2017

Tunturi New Fitness BV
Purmerweg 1
1311 XE Almere
The Netherlands

Disclaimer

© 2017 Tunturi New Fitness BV
All rights reserved.

The product and the manual are subject to change. Specifications can be changed without further notice.

Deutsch

Diese deutsche Bedienungsanleitung ist eine Übersetzung des englischen Textes. Es können keine Rechte auf diese Übersetzung abgeleitet werden.

Index

Laufband	26
Warnhinweise zur Sicherheit	26
Elektrische Sicherheit	27
Beschreibung (Abb. A)	28
Verpackungsinhalt (Abb. B & C)	28
Zusammenbau (Abb. D).....	28
Trainings	29
Trainings	29
Trainingsanleitung	29
Herzfrequenz	30
Gebrauch	31
Konsole (Abb. E-1)	31
Tasten	32
Erklärung der Anzeigeelemente (Abb. H)	32
Programme	33
Quick start	33
Manueller Modus (P0).....	33
Beenden Ihres Trainings	33
Garantie	35
Reinigung und Wartung	35
Schmierung (Abb. F-4).....	36
Betriebs- störungen	37
Transport und Lagerung	38
Zusätzliche Informationen	38
Herstellereklärung	38
Haftungsausschluss	38

Laufband

Willkommen in der Welt von Tunturi!
Danke, dass Sie dieses Gerät von Tunturi erworben haben. Tunturi bietet eine breite Palette an Heim-Fitnessgeräten wie beispielsweise Crosstrainer, Laufbänder, Trainingsfahrräder und Rudergeräte an. Die Tunturi Geräte sind für die ganze Familie geeignet - ganz egal, wie fit man ist. Weitere Informationen finden Sie auf unserer Website unter www.tunturi.com

Wichtige sicherheitshinweise

Dieses Handbuch ist ein wesentlicher Bestandteil Ihres Trainingsgerätes. Lesen Sie es bitte sorgfältig durch, bevor Sie Ihr Trainingsgerät montieren, mit ihm trainieren oder es warten. Bitte bewahren Sie dieses Handbuch auf; es wird Sie jetzt und zukünftig darüber informieren, wie Sie Ihr Gerät benutzen und warten. Befolgen Sie diese Anweisungen immer sorgfältig.

Warnhinweise zur Sicherheit



WARNING

- Lesen Sie die Warnhinweise zur Sicherheit und die Anweisungen. Werden die Warnhinweise zur Sicherheit und die Anweisungen nicht befolgt, kann dies zu Personenverletzungen und Schäden am Gerät führen. Bewahren Sie die Warnhinweise zur Sicherheit und die Anweisungen zur künftigen Bezugnahme auf.



WARNING

- Herzfrequenz-Überwachungssysteme können ungenau sein.
- Eine Überanstrengung kann zu schweren Schädigungen oder zum Tod führen. Wenn Sie sich schwach oder ohnmächtig fühlen, stellen Sie die Übungen unverzüglich ein.

- Das Gerät ist nur für den Hausgebrauch geeignet. Das Gerät ist nicht für den gewerblichen Gebrauch geeignet.
- Die maximale Verwendung ist auf 3 Stunden pro Tag beschränkt
- Wenn dieses Gerät von Kindern oder Personen mit körperlicher, sensorischer, geistiger oder motorischer Behinderung verwendet wird, oder wenn nicht genügend Erfahrung und Kenntnisse vorhanden sind, kann dies zu Gefahrensituationen führen. Personen, die für deren Sicherheit verantwortlich sind, müssen klare Anweisungen geben oder den Gebrauch des Geräts beaufsichtigen.
- Bevor Sie Ihr Training starten, nehmen Sie Kontakt mit einem Arzt auf, um Ihre Gesundheit kontrollieren zu lassen.
- Falls Sie Übelkeit, ein Schwindelgefühl oder andere anormale Symptome verspüren, hören Sie unverzüglich mit Ihrem Training auf und wenden Sie sich an einen Arzt.
- Um einen Muskelkater zu vermeiden, starten Sie jedes Training mit Aufwärmen und beenden Sie es mit Abkühlen. Denken Sie daran, sich am Ende des Trainings zu dehnen.
- Das Gerät ist nur für den Gebrauch in geschlossenen Räumen geeignet. Das Gerät ist nicht für den Gebrauch im Freien geeignet.
- Verwenden Sie das Gerät nur in Umgebungen mit ausreichender Belüftung. Verwenden Sie das Gerät nicht in zugiger Umgebung, damit Sie sich nicht erkälten.
- Verwenden Sie das Gerät nur in Umgebungen mit Umgebungstemperaturen zwischen 10 °C und 35 °C. Lagern Sie das Gerät nur in Umgebungen mit einer Umgebungstemperatur zwischen 5 °C und 45 °C.
- Verwenden und lagern Sie das Gerät nicht in feuchten Umgebungen. Die Luftfeuchtigkeit darf niemals 80% überschreiten.
- Verwenden Sie das Gerät nur bestimmungsgemäß. Verwenden Sie das Gerät nicht für einen anderen als für den in diesem Handbuch beschriebenen Zweck.
- Verwenden Sie das Gerät nicht, falls Teile beschädigt oder defekt sind. Ist ein Teil beschädigt oder defekt, wenden Sie sich an Ihren Händler.
- Halten Sie Ihre Hände, Füße und andere Körperteile von den beweglichen Teilen fern.
- Halten Sie Ihr Haar von den beweglichen Teilen fern.
- Tragen Sie entsprechende Kleidung und Schuhe.
- Halten Sie Kleidung, Schmuck und andere Gegenstände von den beweglichen Teilen fern.
- Vergewissern Sie sich, dass das Gerät nur von einer Person auf einmal verwendet wird. Das Gerät darf nicht von Personen verwendet werden, deren Gewicht 135 kg (300 lbs) überschreitet.
- Öffnen Sie das Gerät nicht, ohne vorher mit Ihrem Händler zu sprechen.

Elektrische Sicherheit

(Betrifft nur elektrisch betriebene Geräte)

- Vergewissern Sie sich vor der Verwendung stets, dass die Netzspannung mit der Spannung auf dem Typenschild des Geräts übereinstimmt.
- Verwenden Sie kein Verlängerungskabel.
- Halten Sie das Netzkabel von Hitze, Öl und scharfen Kanten fern.
- Verändern Sie nichts am Netzkabel oder am Netzstecker.
- Verwenden Sie das Gerät nicht, falls das Netzkabel oder der Netzstecker beschädigt oder defekt ist. Ist das Netzkabel oder der Netzstecker beschädigt oder defekt, wenden Sie sich an Ihren Händler.
- Wickeln Sie das Netzkabel immer vollständig ab.
- Lassen Sie das Netzkabel nicht unter dem Gerät entlanglaufen. Lassen Sie das Netzkabel nicht unter einem Teppich entlanglaufen. Stellen Sie keine Gegenstände auf das Netzkabel.
- Vergewissern Sie sich, dass das Netzkabel nicht über der Kante eines Tisches hängt. Vergewissern Sie sich, dass niemand versehentlich über das Netzkabel stolpert.
- Lassen Sie das Gerät nicht unbeaufsichtigt, wenn der Netzstecker in die Wandsteckdose eingesteckt ist.

- Ziehen Sie nicht am Netzkabel, um den Netzstecker aus der Wandsteckdose zu ziehen.
- Ziehen Sie den Netzstecker aus der Wandsteckdose, wenn das Gerät nicht verwendet wird, bevor es zusammengebaut oder zerlegt wird sowie vor der Reinigung und Wartung.



WARNUNG

- Schwankungen in der Netzspannung von mehr als 10 Prozent können zu Fehlfunktionen des Gerätes führen und die Elektronik beschädigen. Die Leistungsaufnahme kann maximal 15 A betragen. Die Garantie erlischt, wenn das Gerät nicht diesen Anleitungen entsprechend angeschlossen wird



WARNUNG

- NIEMALS eine RCD-Steckdose für das Laufband verwenden - Residual Current Device (Fehlerstromschutzschalter) (U.S. ver.= GFCI). Wie bei jedem Gerät mit einem starken Motor, würde das RCD/ GFCI oft ausgelöst werden. Führen Sie das Stromkabel abseits aller beweglichen Teile des Laufbands, einschließlich des Hebemechanismus und der Transporträder.

Erdungsanweisungen

Dieses Produkt muss geerdet werden. Wenn das Elektrosystem des Laufbands nicht funktioniert oder ausfällt, ist die Erdung der letzte Widerstand für Stromspannung, wodurch Stromschläge vermieden werden. Dieses Produkt hat eine Kabel mit einem Erdungsstecker. Der Stecker muss in eine geeignete Dose gesteckt werden, die richtig gemäß aller örtlichen Bestimmungen und Verordnungen installiert und geerdet ist.



WARNUNG

Ein ungeeigneter Erdungsanschluss des Geräts kann zu Stromschlägen führen. Überprüfen Sie zusammen mit einem qualifizierten Elektriker oder Servicemitarbeiter in Zweifelsfällen, ob das Gerät richtig geerdet ist. Nehmen Sie am Stecker, der mit dem Produkt geliefert wurde, keine Veränderungen vor, wenn dieser nicht in die Steckdose passt; lassen Sie von

einem qualifizierten Elektriker eine passende Steckdose installieren.

Beschreibung (Abb. A)

Ihr Laufband ist ein ortsgebundenes Fitnessgerät, das zur Simulation des Gehens oder Laufens verwendet wird, ohne dabei einen übermäßigen Druck auf die Gelenke auszuüben.

Verpackungsinhalt (Abb. B & C)

- Die Verpackung enthält die in Abb. B dargestellten Teile.
- Die Verpackung enthält die Befestigungsteile gemäß Abb. C. Siehe Abschnitt "Beschreibung".



HINWEIS

- Fehlt ein Teil, wenden Sie sich an Ihren Händler.

Zusammenbau (Abb. D)



WARNUNG

- Bauen Sie das Gerät in der angegebenen Reihenfolge zusammen.
- Tragen und bewegen Sie das Gerät mit mindestens zwei Personen.



VORSICHT

- Stellen Sie das Gerät auf festen, ebenen Boden.
 - Stellen Sie das Gerät auf eine schützende Unterlage, um Schäden am Bodenbelag zu vermeiden.
 - Sorgen Sie rund um das Gerät für einen Freiraum von mindestens 100 cm.
- Der richtige Zusammenbau des Geräts geht aus den Abbildungen hervor.

Trainings

Das Training muss leicht und geeignet, aber von langer Dauer sein. Aerobic-Übungen basieren auf der Verbesserung der maximalen Sauerstoffaufnahme des Körpers, was wiederum die Ausdauer und Fitness verbessert. Sie sollten während des Trainings zwar ins Schwitzen, aber nicht außer Atem kommen.

Um eine Basisfitness zu erreichen und zu halten, üben Sie mindestens drei mal pro Woche 30 Minuten lang an einem Stück. Erhöhen Sie die Anzahl der Übungssitzungen, um Ihre Fitness zu verbessern. Es lohnt sich, die regelmäßigen Übungen mit einer gesunden Diät zu kombinieren. Personen, die Diät machen, sollten täglich zuerst 30 Minuten oder weniger an einem Stück üben und die tägliche Trainingszeit allmählich auf eine Stunde verlängern. Beginnen Sie Ihr Training mit niedriger Geschwindigkeit und geringem Widerstand, um zu vermeiden, dass das Herzkreislaufsystem einer übermäßigen Belastung ausgesetzt wird. Mit sich verbessernder Fitness können Geschwindigkeit und Widerstand allmählich erhöht werden. Die Wirksamkeit Ihrer Übungen kann durch Überwachung der Herzfrequenz und Ihrer Pulsfrequenz gemessen werden.

Trainings

Das Training muss leicht und geeignet, aber von langer Dauer sein. Aerobic-Übungen basieren auf der Verbesserung der maximalen Sauerstoffaufnahme des Körpers, was wiederum die Ausdauer und Fitness verbessert. Sie sollten während des Trainings zwar ins Schwitzen, aber nicht außer Atem kommen.

Um eine Basisfitness zu erreichen und zu halten, üben Sie mindestens drei mal pro Woche 30 Minuten lang an einem Stück. Erhöhen Sie die Anzahl der Übungssitzungen, um Ihre Fitness zu verbessern. Es lohnt sich, die regelmäßigen Übungen mit einer gesunden Diät zu kombinieren. Personen, die Diät machen, sollten täglich zuerst 30 Minuten oder weniger an einem Stück üben und die tägliche Trainingszeit allmählich auf

eine Stunde verlängern. Beginnen Sie Ihr Training mit niedriger Geschwindigkeit und geringem Widerstand, um zu vermeiden, dass das Herzkreislaufsystem einer übermäßigen Belastung ausgesetzt wird. Mit sich verbessernder Fitness können Geschwindigkeit und Widerstand allmählich erhöht werden. Die Wirksamkeit Ihrer Übungen kann durch Überwachung der Herzfrequenz und Ihrer Pulsfrequenz gemessen werden.

Trainingsanleitung

Die Verwendung des Fitnesstrainers wird Ihnen viele Vorteile bieten: Er verbessert Ihre körperliche Fitness, formt die Muskeln und hilft Ihnen, in Verbindung mit einer kalorienreduzierten Diät, Gewicht zu verlieren.

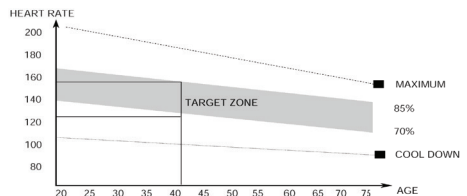
Die Aufwärm-Phase

Der Blutkreislauf wird angeregt und die Muskelfunktionen werden unterstützt. Außerdem wird das Risiko von Krämpfen und Muskelverletzungen gesenkt. Sie sollten, wie unten angezeigt, einige Dehnungsübungen machen. Sie sollten weder die Dehnungsbewegung erzwingen noch die Muskeln dabei ruckweise bewegen - wenn Sie Schmerzen haben, sollten Sie AUFHÖREN.

Die Trainings-Phase

In dieser Phase strengen Sie sich an. Nach regelmäßiger Verwendung werden die Muskeln in Ihren Beinen beweglicher. In dieser Phase ist es sehr wichtig, immer ein gleichmäßiges Tempo beizubehalten.

Die Anstrengung sollte ausreichen, um Ihren Herzschlag bis in die Zielzone zu erhöhen, die im folgenden Diagramm dargestellt ist.



Diese Phase sollte mindestens 12 Minuten dauern; die meisten Menschen beginnen mit ca. 15 bis 20 Minuten.

Die Abkühlungs-Phase

Sie dient der Entspannung Ihres Herz-Kreislaufsystems und Ihrer Muskeln. Dabei werden die Aufwärmübungen wiederholt, reduzieren Sie zum Beispiel Ihr Tempo und machen Sie ca. 5 Minuten weiter. Jetzt sollten die Dehnübungen wiederholt werden. Denken Sie wiederum daran, weder die Dehnungsbewegung zu erzwingen noch die Muskeln dabei ruckweise zu bewegen. Wenn Sie fitter werden, kann es sein, dass Sie länger und härter trainieren müssen. Sie sollten mindestens drei Mal die Woche trainieren und, falls möglich, Ihre Trainingseinheiten gleichmäßig über die Woche verteilen.

Muskelformung

Um Ihre Muskeln beim Training auf dem Fitnesstrainer zu formen, müssen Sie den Widerstand ziemlich hoch einstellen. Dadurch werden die Beinmuskeln mehr angestrengt und Sie können möglicherweise nicht so lange trainieren, wie Sie möchten. Wenn Sie außerdem Ihre Fitness verbessern möchten, müssen Sie Ihr Trainingsprogramm ändern. Sie sollten in den Aufwärm- und Abkühlphasen normal trainieren, jedoch gegen Ende der Trainingsphase den Widerstand erhöhen, damit Ihre Beine härter arbeiten müssen. Sie müssen die Geschwindigkeit verringern, damit Ihre Herzfrequenz in der Zielzone bleibt.

Gewichtsabnahme

Der wichtige Faktor ist, wie sehr Sie sich anstrengen. Je härter und je länger Sie trainieren, desto mehr Kalorien verbrennen Sie. Dies ist im Grunde dasselbe, wie wenn zur Verbesserung Ihrer Fitness trainieren, nur das Ziel ist ein anderes.

Herzfrequenz

Pulsfrequenzmessung (Handpulssensoren)

Die Pulsfrequenz wird durch Sensoren in den Handgriffen gemessen, wenn der Nutzer beide

Sensoren gleichzeitig anfasst. Für eine genaue Pulsmessung ist es erforderlich, dass die Haut etwas feucht ist und die Handpulssensoren konstant berührt werden. Ist die Haut zu trocken oder zu feucht, wird die Pulsfrequenzmessung weniger genau.

HINWEIS

- Verwenden Sie die Handpulssensoren nicht in Kombination mit einem Herzfrequenz-Brustgürtel.
- Wenn Sie sich einen Herzfrequenz-Grenzwert für Ihr Training setzen, ertönt beim Überschreiten ein Signal.

Maximale Herzfrequenz (während des Trainings)

Die maximale Herzfrequenz ist die höchste Herzfrequenz, die eine Person durch Übungsbelastung sicher erzielen kann. Folgende Formel wird zur Berechnung der durchschnittlichen maximalen Herzfrequenz verwendet: $220 - \text{ALTER}$. Die maximale Herzfrequenz variiert von Person zu Person.

WARNUNG

- Stellen Sie sicher, dass Sie während des Trainings Ihre maximale Herzfrequenz nicht überschreiten. Falls Sie einer Risikogruppe angehören, wenden Sie sich an einen Arzt.

Anfänger 50-60% der maximalen Herzfrequenz

Geeignet für Anfänger, Gewicht- Beobachter, Genesende und Personen, die schon lange nicht mehr trainiert haben. Trainieren Sie mindestens dreimal pro Woche 30 Minuten an einem Stück.

Fortgeschritten 60-70% der maximalen Herzfrequenz

Geeignet für Personen, die ihre Fitness verbessern und halten wollen. Trainieren Sie mindestens dreimal pro Woche 30 Minuten an einem Stück.

Experte 70-80% der maximalen Herzfrequenz

Geeignet für die fittesten Personen, die sich an lange Ausdauertrainings gewöhnt haben.

Gebrauch

Hauptschalter (Abb. E-2A)

Das Gerät ist mit einem Hauptschalter ausgestattet, mit dem es komplett abgeschaltet werden kann.

Um das Gerät zu starten:

- Stecken Sie den Netzstecker in das Gerät.
- Stecken Sie den Netzstecker in die Wandsteckdose.
- Schalten Sie den Hauptschalter ein (ON).

Um das Gerät zu stoppen:

- Schalten Sie den Netzschalter aus (OFF).
- Ziehen Sie den Netzstecker aus der Wandsteckdose.
- Ziehen Sie den Netzstecker aus dem Gerät.

Sicherheitsschlüssel (Abb. F-4)

Das Gerät ist mit einem Sicherheitsschlüssel ausgestattet, der zum Starten in die Konsole gesteckt werden muss. Wird der Sicherheitsschlüssel aus der Konsole entfernt, stoppt das Gerät sofort.

- Stecken Sie den Sicherheitsschlüssel in den Schlitz in der Konsole.
- Vergewissern Sie sich, dass der Clip des Sicherheitsschlüssels richtig an Ihrer Kleidung befestigt ist.

Vergewissern Sie sich, dass der Clip nicht von Ihrer Kleidung entfernt wird, bevor der Sicherheitsschlüssel aus der Konsole gezogen wird.

Schutzschalter (Abb. E-2B)

Das Gerät ist mit einem Schutzschalter ausgestattet, der den Strom unterbricht, wenn die elektrische Last die maximale Kapazität überschreitet. Tritt dies ein, muss der Schutzschalter gedrückt werden..



WARNUNG

- Ziehen Sie vor dem Drücken des Schutzschalters den Netzstecker aus dem Gerät.

Schaltet das Gerät ab, gehen Sie wie folgt vor, um das Gerät neu zu starten:

- Ziehen Sie den Netzstecker aus dem Gerät.

- Drücken Sie den Schutzschalter, um das Gerät neu zu starten.
- Stecken Sie den Netzstecker in das Gerät.



HINWEIS

- Einige Schutzschalter in Gebäuden sind nicht auf hohen Einschaltstrom ausgelegt, der beim ersten Einschalten des Laufbands oder auch bei normaler Verwendung vorkommen kann. Wenn Ihr Laufband den Schutzschalter auslöst (auch wenn die Spannung korrekt ist und das Laufband das einzige Gerät im Stromkreis ist), aber der Schutzschalter im Laufband selbst nicht ausgelöst wird, müssen Sie den Schalter durch einen für hohen Einschaltstrom ersetzen. Dies ist nicht Teil der Garantieleistungen. Diese Bedingungen können vom Hersteller nicht beeinflusst werden.

Auseinander- und Zusammenklappen des Geräts (Abb. F1-F2)

Das Gerät kann zum Gebrauch auseinandergeklappt (Abb.F1) und zum Transport und zur Aufbewahrung zusammengeklappt werden (Abb. F2). Aus den Abbildungen geht hervor, wie das Gerät richtig auseinander- und zusammengeklappt wird.



WARNUNG

- Stelle sicher das der Steigungswinkel auf 0% steht bevor sie das Lauf-deck einklappen. Wenn der Steigungswinkel nicht auf 0% steht, dann kann der Mechanismus beschädigt werden.

Konsole (Abb. E-1)



VORSICHT

- Halten Sie die Konsole von direkter Sonneneinstrahlung fern.
- Trocknen Sie die Oberfläche der Konsole, wenn Sie mit Schweißtropfen bedeckt ist.
- Lehnen Sie sich nicht auf die Konsole.

- Berühren Sie die Anzeige nur mit Ihrer Fingerspitze. Vergewissern Sie sich, dass Ihre Nägel oder andere scharfe Gegenstände die Anzeige nicht berühren.



HINWEIS

- Die Konsole schaltet in den Standby-Modus, wenn das Gerät 4 Minuten lang nicht verwendet wird.

Tasten

Stop Taste

- Trainingsstart bzw. -stop (pause)..
- Setzen Sie das Cockpit zurück, indem Sie die Taste 2 Sekunden im „Stoppmodus“ gedrückt halten.

Geschwindigkeit + (Hase)

- Erhöht die Geschwindigkeit (1.0 - 16 km/h).
- Einmaliges Drücken erhöht die Geschwindigkeit um 0,1 km/h.
- Die Geschwindigkeit wird schneller erhöht, wenn die Taste zwei Sekunden gedrückt gehalten wird.
- Blättern Sie durch die Programme und ändern Sie die Werte im Programmiermodus.

Geschwindigkeit - (Schildkröte)

- Verringert die Geschwindigkeit (1.0 - 16 km/h).
- Einmaliges Drücken verringert die Geschwindigkeit um 0,1 km/h.
- Die Geschwindigkeit wird schneller verringert, wenn die Taste zwei Sekunden gedrückt gehalten wird.
- Blättern Sie durch die Programme und ändern Sie die Werte im Programmiermodus.

Neigung +

- Erhöht die Steigung (0%~10% ±1 %).

Neigung -:

- Verringert die Steigung (0%~10% ±1 %).

Mode

- Bestätigen Sie die Einstellung, um im Programmiermodus in den nächsten Schritt zu gelangen.
- Ändern Sie im Trainingsmodus für das Fenster Step/ Distance & Pulse/ Calories.

Prog

- Wählen Sie den Programmiermodus

Start

- Starten Sie das ausgewählte Training.

Geschwindigkeitsschnellstasten.

Geschwindigkeitsschnellstasten sind auf: 2, 6, 8, 10, 12, & 16 km/h. voreingestellt.

Die Geschwindigkeit ändert sich z.B. von einer beliebigen Geschwindigkeit zu 8 km/h, wenn die Geschwindigkeitsschnellstaste 8 gedrückt wird.

Steigungsschnellstasten.

Steigungsschnellstasten sind auf: 2, 6, 8, 10 & 12 % voreingestellt. Der Steigungsgrad ändert sich z.B. von einer beliebigen Steigung zu 6 %, wenn die Steigungsschnellstaste 6 gedrückt wird.

Schnellzugriffstaste für Geschwindigkeit.

- + : dieselbe Funktion wie Speed +.
- - : dieselbe Funktion wie Speed -.

Schnellzugriffstaste für Steigung.

- + : dieselbe Funktion wie Incline +.
- - : dieselbe Funktion wie Incline -.

Erklärung der

Anzeigeelemente (Abb. H)

Speed

- Zeigt im Trainingsmodus die aktuelle Laufbandgeschwindigkeit.
- Zeigt im Programmiermodus die Zielgeschwindigkeit.

Incline

- Zeigt im Trainingsmodus die aktuelle Laufbandneigung.
- Zeigt im Programmiermodus die Zielsteigung.

Distance

- Zeigt im Trainingsmodus die zurückgelegte Strecke.
- Zeigt im Programmiermodus die Zielstrecke.

- Zeigt im Programmiermodus die Programmauswahl.

Time

- Zeigt im Trainingsmodus die gelaufene Zeit.
- Zeigt im Programmiermodus die Zielzeit.

Pulse

- Zeigt im Trainingsmodus die Pulsfrequenz oder „P“, wenn kein Puls gemessen wird.

Calories

- Zeigt im Trainingsmodus die verbrauchten Kalorien an.



HINWEIS

- Diese Daten sind ein grober Anhaltspunkt für den Vergleich verschiedener Trainingssitzungen. Sie können jedoch nicht für eine medizinische Behandlung verwendet werden



BITTE BEACHTEN

- Das "Step/ Distance" & "Pulse/ Calories" Display scannt alle 5 Sekunden.
- Verwenden Sie die Taste "MODE", um die Anzeige anzuhalten oder im Haltemodus den Scan wieder zu starten.

Programme

Quick start

- Drücken Sie die Taste „START“, um das Training ohne irgendwelche Voreinstellungen zu beginnen.
- Das Laufband beginnt mit der Mindestgeschwindigkeit von 1,0 km/h und behält die aktuell eingestellte Steigungseinstellung bei.
- Stellen Sie jederzeit die GESCHWINDIGKEIT/ NEIGUNG ein, um Ihr Training zu ändern, und STOP/ PAUSE Sie jederzeit.

Manueller Modus (P0)

- Drücken Sie die Taste "MODE", um den Programmiermodus zu aktivieren.
- Drücken Sie die Tasten "PROG", um das "P0"-Programm auszuwählen, und drücken Sie zur Bestätigung die Eingabetaste.
- Drücken Sie die Tasten „Geschwindigkeit +/-“, um Ihre gewünschte Trainingszeit einzustellen.

Die Standardtrainingszeit ist auf 30:00 Minuten eingestellt.

Bereich 10:00~99:00 min.



BITTE BEACHTEN

- Wenn 00:00 Minuten eingestellt wird, wird das Training nicht angehalten, es sei denn, es wird manuell gestoppt.
- Drücken Sie die Taste „START“, um Ihr Training zu beginnen.

Beenden Ihres Trainings

- Unterbrechen Sie Ihr Training jederzeit, indem Sie einmal die Taste „STOP“ drücken. Das Display zeigt im Pausemodus „PAUS“ an.
- Drücken Sie die Taste „START“, um das Training wieder aufzunehmen, wenn Sie sich im Pausemodus befinden.
- Halten Sie die Taste "STOP" gedrückt, um das Training zu beenden und das Cockpit zurückzusetzen.

Voreingestellte Programme (P1~P36)

Das Gerät besitzt 36 voreingestellte Programme mit verschiedenen Profilen. (Abb G)

- Drücken Sie die Taste "MODE", um den Programmiermodus zu aktivieren.
- Drücken Sie die Tasten "PROG", um das "P1~P36"-Programm auszuwählen, und drücken Sie zur Bestätigung die Eingabetaste.
- Drücken Sie die Tasten „Geschwindigkeit +/-“, um Ihre gewünschte Trainingszeit einzustellen.

Die Standardtrainingszeit ist auf 30:00 Minuten eingestellt.

Bereich 10:00~99:00 min.



BITTE BEACHTEN

- Wenn 00:00 Minuten eingestellt wird, wird das Training nicht angehalten, es sei denn, es wird manuell gestoppt.
- Drücken Sie die Taste „START“, um Ihr Training zu beginnen.
- Benutzerprogramme (U-01~U-03)**
Das Gerät besitzt 3 Benutzerprogramme. Jedes der Benutzerprogramme kann an persönliche Anforderungen angepasst werden. Jedes Benutzerprogramm umfasst maximal 12 Stufen. Für jede Stufe kann die Geschwindigkeit und die Steigung eingestellt werden. Jede Stufe umfasst 1/12 der Gesamtzeit.

- Drücken Sie die Taste "MODE", um den Programmierungsmodus zu aktivieren.
- Drücken Sie die Tasten "PROG", um das "U-01~U-03"-Programm auszuwählen, und drücken Sie zur Bestätigung die Eingabetaste.
- Drücken Sie die Tasten „Geschwindigkeit +/-“, um Ihre gewünschte Trainingszeit einzustellen.
Die Standardtrainingszeit ist auf 30:00 Minuten eingestellt.
Bereich 10:00~99:00 min..
Die "Distance" anzeige zeigt "01".
- Drücken Sie die "SPEED +/-", um die Geschwindigkeit einzustellen. Drücken Sie die Taste "INCLINE +/-", um die Steigung einzustellen. Drücken Sie zur Bestätigung die "MODE"-taste.
Die "Distance" anzeige zeigt „02“.
- Wiederholen Sie den obigen Vorgang, um die anderen Stufen zu konfigurieren.
- Drücken Sie die Taste "START", um das Programm zu starten.

Körperfett

Das Körperfettprogramm ist ein Programm zur Anzeige Ihrer körperlichen Verfassung, basierend auf Ihren Körperparametern und Ihrer Herzfrequenz.

- Drücken Sie die Taste "MODE", um den Programmierungsmodus zu aktivieren.
- Drücken Sie die Tasten "PROG", um das

"FAT"-Programm auszuwählen, und drücken Sie zur Bestätigung die Eingabetaste.

- Die "Distance" anzeige zeigt „F1" (Geschlecht)
Die "Calories" anzeige zeigt „1"
Drücken Sie die Tasten "SPEED +/-", um auszuwählen: 1: Männlich/ 2 Weiblich, Drücken Sie zur Bestätigung die "MODE"-taste.
- Die "Distance" anzeige zeigt „F2" (Alter)
Die "Calories" anzeige zeigt „25"
Drücken Sie die Tasten "SPEED +/-", um auszuwählen: 10~99. Drücken Sie zur Bestätigung die "MODE"-taste.
- Die "Distance" anzeige zeigt „F3" (Größe,) Die "Calories" anzeige zeigt „170"cm
Drücken Sie die Tasten "SPEED +/-", um auszuwählen: 100~220 cm, Drücken Sie zur Bestätigung die "MODE"-taste.
- Die "Distance" anzeige zeigt „F4" (Gewicht)
Die "Calories" anzeige zeigt „70"kg
Drücken Sie die Tasten "SPEED +/-", um auszuwählen: 20~150 kg, Drücken Sie zur Bestätigung die "MODE"-taste.
- Die "Distance" anzeige zeigt „F5" (Aktiv)
Die "Calories" anzeige zeigt "- - - -" (Messen)



ACHTUNG

- Für diese Funktion ist das Halten der Kontakthandgriff-Herzfrequenzmesspads erforderlich.

Ergebnisberechnung:

- FAT 0 ~17 Untergewicht
 - FAT 18 ~ 27 Standard
 - FAT 28 ~ plus Übergewicht
- BF = Body Fat, dt. Körperfett (im Verhältnis, %)
- Der Fehlercode „ER“ wird angezeigt, wenn während der Körperfettmessung keine Herzfrequenz erkannt wurde.
- Drücken Sie die Taste „MODE“, um das Körperfettprogramm zu verlassen.

Garantie

Eigentümer-garantie für Tunturi fitnessgeräte.

Garantiebedingungen

Der Käufer ist berechtigt die den Handel mit Konsumgütern betreffenden gesetzlichen Rechte gemäß der nationalen Gesetzgebung in Anwendung zu bringen. Diese Rechte werden durch die Garantie nicht eingeschränkt. Bedingungen zu ersetzen. Die Eigentümer-Garantie gilt nur dann, wenn das Gerät in einer für entsprechende Geräte der Tunturi New Fitness BV zugelassenen Anwendungsumgebung verwendet wird. Die für das Gerät zugelassene Anwendungsumgebung wird in der Bedienungsanleitung des Geräts genannt.

Garantiedauer

Die Garantie gilt ab Kaufdatum. Die Garantiedauer kann sich je nach Land unterscheiden. Bitte wenden Sie sich an Ihren zuständigen Händler, um die Garantiedauer zu erfahren.

Garantieumfang

Unter keinen Umständen haften die Tunturi New Fitness BV oder der Tunturi-Vertragshändler für dem Käufer möglicherweise zugefügte indirekte Schäden wie Gebrauchsbeeinträchtigung oder Einkommensverlust oder anderen wirtschaftlichen Folgeschäden.

Einschränkungen der garantie

Die Garantie deckt durch Herstellung oder Material hervorgerufene Fehler des Fitnessgeräts in dessen ursprünglicher Zusammensetzung. Unter Voraussetzung, dass die Aufbau-, Pflege- und Gebrauchsanweisungen von Tunturi befolgt wurden, erstreckt sich die Garantie auf solche Fehler, die bei normaler und einem dem Gerät beiliegenden Anleitungsbuch entsprechender Benutzung auftreten können. Die Tunturi New Fitness BV und der Tunturi-Vertragshändler haften nicht für Fehler, die durch Faktoren außerhalb ihrer Einflussmöglichkeiten hervorgerufen wurden. Die Garantie gilt nur für den ursprünglichen Eigentümer und nur in den

Ländern, in denen es einen von der Tunturi New Fitness BV autorisierten Importeur gibt. Die Garantie gilt nicht für solche Fitnessgeräte oder Teile, an denen ohne Zustimmung der Tunturi New Fitness BV Veränderungen vorgenommen worden sind. Die Garantie betrifft auch nicht solche Schäden, die durch natürlichen Verschleiß, fehlerhaften Gebrauch, Benutzung unter für das Gerät nicht vorgesehenen Umständen, Korrosion, Verladung oder Transport hervorgerufen wurden.

Ersatzleistungen aufgrund von Geräuschen, die beim Einsatz des Geräts auftreten, sind von der Garantie ausgeschlossen, sofern diese Geräusche den Gebrauch des Geräts nicht wesentlich beeinträchtigen und nicht durch einen Gerätefehler bedingt sind. Die Garantie beinhaltet keine Wartungsmaßnahmen, wie Reinigung, Schmieren oder normales Kontrollieren der Teile, auch nicht solche Aufbaumaßnahmen, die der Kunde selbst ausführen kann und die kein spezielles Auseinander- oder Zusammenbauen des Fitnessgeräts erfordern. Zu solchen Maßnahmen gehört beispielsweise das Austauschen von Cockpits, Pedalen oder anderer entsprechender einfacher Teile. Andere als die durch einen autorisierten Tunturi-Vertreter ausgeführten Garantieleistungen werden nicht ersetzt. Durch unsachgemäße, d.h. nicht der Bedienungsanleitung entsprechenden, Bedienung, verfällt jedweder Garantieanspruch.

Reinigung und Wartung



WARNING

- Ziehen Sie vor der Reinigung und Wartung den Netzstecker aus der Wandsteckdose.
 - Verwenden Sie zur Reinigung des Geräts keine Lösungsmittel.
- Blockieren Sie nicht die Belüftungsöffnungen. Halten Sie die Belüftungsöffnungen frei von Staub, Schmutz und anderen Hindernissen.
 - Reinigen Sie das Gerät nach dem Gebrauch mit einem weichen aufnahmefähigen Lappen.

- Reinigen Sie die sichtbaren Teile des Geräts mit einem Staubsauger mit kleiner Saugdüse.
- Prüfen Sie regelmäßig, ob alle Schrauben und Muttern fest sind.

Gurt und Lauffläche

Ihr Laufband hat ein sehr hocheffizientes reibungsarmes Band. Die Leistung wird erhöht, wenn die Lauffläche so sauber wie möglich ist. Verwenden ein weiches, feuchtes Tuch oder Papier, um die Ecken des Gurts und den Bereich zwischen Gurt und Rahmen zu reinigen. Reichen Sie dabei auch soweit wie möglich unter die Bändecken. Dies sollten Sie einmal im Monat tun, um die Lebensdauer der Lauffläche zu erhalten. Verwenden Sie nur Wasser - keine Reinigungs- oder Scheuermittel. Ein milde Seifenlösung mit einem Nylonscheuerschwamm kann verwendet werden, um die Oberfläche des Stoffbands zu reinigen. Das Band sollte vor der Nutzung getrocknet sein.

Schmierung (Abb. F-4)

Die Schmierung des Laufbandes muss bei einem Durchschnittsgebrauch von 60 Minuten pro Tag alle 2 Monaten ein Mal kontrolliert werden.



WARNUNG

- Ziehen Sie vor der Schmierung den Netzstecker aus der Wandsteckdose.



VORSICHT

- Schmierem Sie das Laufband nur, wenn dies erforderlich ist. Wird zu viel Schmiermittel aufgetragen, kann das Laufband aufgrund mangelnder Reibung leicht durchrutschen.
- Stellen Sie sich ruhig auf das Laufband.
- Halten Sie sich am vorderen Handgriff fest und schieben Sie das Laufband mit Ihren Füßen nach vorne und hinten. Das Laufband muss sich geschmeidig und gleichmäßig ohne Geräusentwicklung bewegen.
- Falls sich das Laufband nicht geschmeidig und gleichmäßig bewegt, oder falls es sich überhaupt nicht bewegt, fassen Sie

mit den Fingerspitzen an die Unterseite des Laufbandes, um die Schmierung zu kontrollieren:

- Falls Sie Schmiermittel fühlen können oder falls Ihre Fingerspitzen glänzen, ist genügend Schmierung am Laufband vorhanden.
- Falls Sie kein Schmiermittel mit Ihren Fingerspitzen fühlen können oder falls die Fingerspitzen staubig und rau sind, tragen Sie Schmiermittel (15-20 ml) in der Mitte des Laufwerks unter dem Laufband auf und lassen Sie das Gerät mit ca. 5 km/h mindestens 5 Minuten lang laufen.
- Klappen Sie das Gerät nach der Schmierung erst zusammen, wenn Sie ca. 20 Minuten lang bei einer Geschwindigkeit von mindestens 5 km/h ein Training durchgeführt haben. Das Schmiermittel verteilt sich gleichmäßig über das Laufband.

Bandstaub

Dies kommt bei normalem Einlaufen oder bei der Bandstabilisierung vor. Wischen Sie ihn mit einem feuchten Tuch auf.

Allgemeine Reinigung

Dreck, Staub und Tierhaare können die Ventilation verstopfen und sich auf dem Band sammeln. Monatlich: Unter dem Laufband staubsaugen. Zweimal im Jahr sollte die schwarz Motorabdeckung entfernt und gesaugt werden. VOR DER REINIGUNG STROMKABEL ABZIEHEN.

Gurteinstellungen

Die Einstellung wird an der hinteren Rolle vorgenommen. Die Einstellungsschrauben befinden sich am Ende der Schienen in den Endkappen.

- Ziehen Sie die hinteren Rollenschrauben (im Uhrzeigersinn) soweit fest, dass ein Abrutschen von der vorderen Rolle verhindert wird. Drehen Sie beide Laufband-Zugspannungs-Einstellungsschrauben stufenweise um 1/4-Umdrehung und überprüfen Sie jeweils die Zugspannung,

indem Sie bei geringer Geschwindigkeit auf dem Band laufen. Das Band sollte nicht verrutschen. Ziehen Sie die Schrauben soweit an, dass das Band nicht mehr verrutscht.

- Wenn Sie das Gefühl haben, dass das Band genügend gespannt ist, aber immer noch verrutscht, könnte die Ursache ein loses Motorantriebsband unter der vorderen Abdeckung sein.
- Nicht Überspannen
Eine Überspannung führt zu Schäden am Band und vorzeitigem Verschleiß der Lager.

Laufbandspureinstellung:

Die Leistung Ihres Laufbands hängt davon ab, dass es auf einer geraden Oberfläche läuft. Wenn der Rahmen nicht gerade ist, können die vorderen und hinteren Rollen nicht parallel laufen und das Band muss immer nachgestellt werden.

Das Laufband wurde so entwickelt, dass das Band immer in der Mitte läuft. Bei einigen Bändern ist es normal, dass das Band zu einer Seite zieht, wenn keine Person darauf läuft. Nach ein paar Minuten der Nutzung sollte sich das Band von alleine zentriert haben. Wenn der Gurt bei der Nutzung zu einer Seite zieht, muss dies eingestellt werden.

Ausnahme:

In der Reha, bei der Benutzer ein Bein stärker belasten als das andere, kann es vorkommen, dass das Band zu einer Seite zieht. In diesen Fällen sollten Sie das Band nicht einstellen, es sei denn, das Band verläuft bei normaler Nutzung nicht mehr zentral.

Einstellung der laufbandspur (Abb. F-5)

Für die hintere Rolle wird ein 10 mm-Inbusschlüssel benötigt. Spureinstellungen müssen von der linken Seite erfolgen. Stellen Sie die Bandgeschwindigkeit auf etwa 3 bis 5 km/h ein.

Denken Sie daran, dass eine kleine Änderung große Folgen haben kann!

Drehen Sie die Schraube im Uhrzeigersinn, um das Band nach rechts zu ziehen. Drehen Sie

gegen den Uhrzeigersinn, zieht das Band nach links. Drehen Sie die Schraube nur etwa 1/4 Umdrehung und warten Sie ein paar Minuten, bis sich das Band selbst nachführt. Machen Sie eine weitere 1/4-Umdrehung, bis sich das Band in der Mitte der Lauffläche stabilisiert.

Das Band muss möglicherweise regelmäßig nachgestellt werden, je nach Nutzungs- und Laufverhalten. Verschiedene Benutzer wirken unterschiedlich auf das Band. Sie müssen das Band so einstellen, dass es in der Mitte der Fläche verläuft. Die Einstellungen werden im Laufe der Nutzung weniger aufwändig. Eine richtige Bandspurführung liegt in der Verantwortung des Besitzers.



HINWEIS

- Schäden am Laufband durch fehlerhafte spur-/ zugeinstellungen, sind nicht von der Garantie abgedeckt.

Betriebs- störungen

Trotz kontinuierlicher Qualitätsüberwachung können vereinzelt an den Geräten durch einzelne Komponenten verursachte Funktionsstörungen auftreten. Dabei ist es nicht angebracht, das ganze Gerät zur Reparatur zu bringen, da der Fehler meistens durch Austauschen der defekten Komponente behoben werden kann.

Wenn das Gerät während des Gebrauchs nicht einwandfrei funktioniert, wenden Sie sich bitte umgehend an die für Sie zuständige Tunturi-Alleinvertretung. Beschreiben Sie das Problem, die Einsatzbedingungen und teilen Sie das Kaufdatum und die Typenbezeichnung und die Seriennummer Ihres Gerätes mit.

Wenden Sie sich an Ihre nationale Tunturi-Vertretung, wenn Sie Ersatzteile benötigen. Beschreiben Sie die Einsatzbedingungen und teilen Sie das Kaufdatum und die Seriennummer des Gerätes mit. Die Ersatzteilnummern finden Sie in der Liste am Ende dieser Anweisung. Nur Teile in der Ersatzteilliste dürfen verwendet werden.

Fehlercodes

Falls in der Anzeige ein Fehlercode erscheint (durch „E“/ „DC“ + Nummer erkennbar), starten Sie das Gerät neu und prüfen Sie, ob in der Anzeige der Fehlercode immer noch steht. Falls in der Anzeige der Fehlercode immer noch steht, wenden Sie sich unverzüglich an Ihren Händler.

Transport und Lagerung



WARNUNG

- Ziehen Sie vor der Reinigung und Wartung den Netzstecker aus der Wandsteckdose.
- Tragen und bewegen Sie das Gerät mit mindestens zwei Personen.
- Vergewissern Sie sich, dass sich keine Personen oder Gegenstände unter dem Gerät befinden.
- Vergewissern Sie sich beim Zusammenklappen des Geräts, dass Sie hören, wie das Gerät in seiner Position arretiert, um zu verhindern, dass das Gerät zurückfällt.



VORSICHT

- Vergewissern Sie sich vor dem Zusammenklappen des Geräts, dass die Steigung 0% beträgt. Beträgt die Steigung nicht 0%, wird der Mechanismus beim Zusammenklappen beschädigt.
- Bewegen Sie das Gerät wie angegeben (Abb. F3). Bewegen Sie das Gerät und setzen Sie es vorsichtig ab. Stellen Sie das Gerät auf eine schützende Unterlage, um Schäden am Bodenbelag zu vermeiden. Bewegen Sie das Gerät vorsichtig über unebene Böden. Bewegen Sie das Gerät nicht auf den Rädern Treppen herauf, sondern tragen Sie es an den Handgriffen.
- Lagern Sie das Gerät in aufrechter Position (Abb. F1). Lagern Sie das Gerät an einem trockenen Ort mit möglichst wenig Temperaturschwankungen.

Zusätzliche Informationen

Verpackungsentsorgung

Staatliche Vorschriften sagen, dass wir die in Deponien entsorgen Abfallmengen verringern sollen. Daher bitten wir Sie, den gesamten Verpackungsabfall an öffentlichen Recyclingstellen abzugeben

Entsorgung am ende der Lebensdauer

Wir bei Tunturi hoffen, dass Sie Ihren Fitnesstrainer viele Jahre mit Freude nutzen werden. Jedoch wird irgendwann die Zeit kommen, wenn die Ende der Nutzungsdauer des Fitnesstrainers erreicht ist. Gemäß den europäischen WEEE-Gesetzen sind Sie für eine geeignete Entsorgung des Fitnesstrainers bei einer anerkannten öffentlichen Entsorgungsstelle verantwortlich.

Herstellereklärung

Tunturi New Fitness BV erklärt hiermit, dass das Produkt folgenden Normen und Richtlinien entspricht: EN 957 (HB), 89/336/ EWG. Das Produkt trägt daher das CE-Kennzeichen.

01-2017

Tunturi New Fitness BV
Purmerweg 1
1311 XE Almere
The Netherlands

Haftungsausschluss

© 2017 Tunturi New Fitness BV
Alle Rechte vorbehalten.

Produkt und Handbuch können geändert werden. Die technischen Daten können ohne Vorankündigung geändert werden.

Français

Ce manuel français est une traduction de la version anglaise. Notez que la version anglaise est en tête dans le contenu lorsque des différences sont trouvées.

Indice

Tapis de course	39
Avertissements de sécurité	39
Sécurité électrique.....	40
Description (fig. A).....	41
Contenu de l’emballage (fig. B & C)	41
Assemblage (fig. D)	41
Exercices	41
Instructions d’entraînement.....	42
Fréquence cardiaque.....	43
Usage	43
Interface de l’utilisateur (fig. E-1)	44
Boutons	44
Explication des éléments affichés (Fig. H).....	45
Programmes	46
Quick start	46
Mode Manuel	46
Fin de l’entraînement	46
Garantie	47
Nettoyage et maintenance	48
Tapis et surface	48
Lubrification (fig. F-4).....	48
Defauts de fonctionnement	50
Transport et rangement	50
Informations supplémentaires	51
Déclaration du fabricant	51
Limite de responsabilité	51

Tapis de course

Bienvenue dans l’univers de Tunturi Fitness !
 Merci pour votre achat de cet élément d’équipement Tunturi. Tunturi offre toute une gamme d’équipements de fitness professionnels, notamment des vélos elliptiques, tapis de course, vélos d’appartement, rameurs et accessoires. Les équipements Tunturi sont parfaits pour toute la famille, quel que soit le niveau de forme de ses membres. Pour en savoir plus, visitez notre site Web www.tunturi.com

Consignes de sécurité importantes

Lisez attentivement ce mode d’emploi avant d’assembler, d’utiliser ou d’effectuer l’entretien de votre appareil sportif. Veuillez conserver ce guide, il contient les renseignements dont vous aurez besoin, maintenant et plus tard, pour utiliser et entretenir votre appareil. Suivez toujours les instructions très rigoureusement.

Avertissements de sécurité



AVERTISSEMENT

- Lisez les avertissements de sécurité et les instructions. Le non respect des avertissements de sécurité et des instructions est une source de blessure et de dégâts de l’équipement. Conservez les avertissements de sécurité et les instructions pour référence ultérieure.



AVERTISSEMENT

- Les systèmes de suivi de la fréquence cardiaque peuvent être inexacts. Un exercice excessif peut entraîner des blessures graves voire mortelles. Si vous vous sentez défaillir, interrompez immédiatement l’exercice.
- L’équipement est uniquement adapté à un usage domestique. L’équipement ne convient pas à un usage commercial.
- La durée d’utilisation maximum est limitée à 3 heures par jour.

- L'emploi de cet équipement par des enfants ou des personnes affectés d'un handicap physique, sensoriel, mental ou moteur, voire dont l'expérience ou les connaissances s'avèrent insuffisantes est une source de risques. Les personnes chargées de leur sécurité doivent leur fournir des instructions explicites ou superviser leur usage de l'équipement.
- Avant de commencer vos exercices, effectuez un bilan de santé auprès d'un médecin.
- Si vous êtes pris de nausées ou de vertiges ou sentez d'autres symptômes normaux pendant l'entraînement, interrompez immédiatement la session et consultez votre médecin.
- Afin d'éviter toutes douleurs et tensions musculaires, commencez vos séances par des échauffements et terminez-les par une récupération. N'oubliez pas de vous étirer après vos exercices.
- L'équipement est uniquement adapté à un usage intérieur. L'équipement ne convient pas à un usage extérieur.
- Utilisez l'équipement uniquement dans des environnements correctement ventilés. N'utilisez pas l'équipement dans des endroits exposés aux courants d'air afin de ne pas vous enrhumér.
- Utilisez l'équipement uniquement à une température ambiante entre 10 °C et 35 °C. Rangez l'équipement uniquement à une température ambiante entre 5 °C et 45 °C.
- N'utilisez et ne rangez pas l'équipement dans un environnement humide. L'humidité de l'air ne doit jamais dépasser 80 %.
- Utilisez l'équipement uniquement pour son usage prévu. N'utilisez pas l'équipement pour d'autres usages que ceux décrits dans le manuel.
- N'utilisez pas l'équipement si l'une de ses pièces est endommagée ou défectueuse. Si une pièce est endommagée ou défectueuse, contactez votre revendeur.
- Maintenez vos mains, vos pieds et les autres parties de votre corps à l'écart des pièces mobiles.
- Maintenez votre chevelure à l'écart des pièces mobiles.
- Portez des vêtements et des chaussures adaptés.
- Maintenez les vêtements, bijoux et autres objets à l'écart des pièces mobiles.

- Assurez-vous qu'une seule personne utilise l'équipement à la fois. L'équipement ne doit pas être utilisé par des personnes pesant plus de 135 kg (300 lb).
- N'ouvrez pas l'équipement sans consulter votre revendeur.

Sécurité électrique

(Uniquement pour les équipements à alimentation électrique)

- Avant usage, assurez-vous toujours que la tension secteur est identique à celle de la plaque signalétique de l'équipement.
- N'utilisez pas de rallonge.
- Maintenez le câble secteur à l'écart de la chaleur, de l'huile et des bords coupants.
- N'altérez et ne modifiez aucunement le câble secteur ou la fiche secteur.
- N'utilisez pas l'équipement si le câble secteur ou la fiche secteur est endommagé ou défectueux. Si le câble secteur ou la fiche secteur est endommagé ou défectueux, contactez votre revendeur.
- Déroulez toujours complètement le câble secteur.
- Ne passez pas le câble secteur sous l'équipement. Ne passez pas le câble secteur sous un tapis. Ne placez aucun objet sur le câble secteur.
- Assurez-vous que le câble secteur ne pend pas sur le bord d'une table. Assurez-vous que le câble secteur ne peut pas être happé par accident ou faire trébucher.
- Ne laissez pas l'équipement sans surveillance si la fiche secteur est insérée dans la prise murale.
- Ne tirez pas sur le câble secteur pour retirer la fiche secteur de la prise murale.
- Retirez la fiche secteur de la prise murale lorsque l'équipement n'est pas utilisé, avant l'assemblage et le démontage et avant le nettoyage et la maintenance.



AVERTISSEMENT

- Une variation de tension d'au moins dix pour cent (10 %) peut avoir une incidence sur les performances du tapis de course. De telles conditions ne sont pas

couvertes par votre garantie. Si vous avez l'impression que la tension est trop basse, vous devez contacter votre compagnie d'électricité ou un électricien qualifié pour tester le circuit électrique.



AVERTISSEMENT

- NE JAMAIS utiliser une prise murale équipée d'un interrupteur différentiel (RCD - Residual Current Device – version U.S. = GFCI) avec ce tapis de course. Comme avec n'importe quel appareil équipé d'un moteur puissant, le dispositif RCD / GFCI se déclenche souvent. Eloignez de câble d'alimentation de toute pièce mobile du tapis de course, y compris du mécanisme d'inclinaison et des roulettes destinées au transport.

Instructions de mise à la terre

Ce produit doit être mis à la terre. Si le système électrique du tapis de course présente une défaillance ou une panne, sa mise à la terre fournit un chemin de moindre résistance au courant électrique, réduisant ainsi le risque de décharge électrique. Ce produit est équipé d'un câble pourvu d'une fiche de terre. Cette fiche doit être branchée dans une prise appropriée, correctement installée et mise à la terre conformément aux normes et règlements locaux.



AVERTISSEMENT

- Un branchement inadéquat du conducteur de terre peut entraîner des risques de décharge électrique. Veuillez consulter un électricien qualifié si vous avez des doutes sur la mise à la terre du produit selon les règles. Ne modifiez pas la fiche fournie avec le produit lorsqu'elle n'entre pas dans la prise ; faites installer une prise adéquate par un électricien qualifié.

Description (fig. A)

Votre tapis de course est un élément d'équipement de fitness stationnaire servant à imuler la marche ou la course sans exercer de pression excessive sur les jointures.

Contenu de l'emballage (fig. B & C)

- L'emballage contient les pièces illustrées en fig. B.
- L'emballage contient les fixations illustrées en fig. C. Voir la section "Description".



NOTE

- Si une pièce manque, contactez votre revendeur.

Assemblage (fig. D)



AVERTISSEMENT

- Assemblez l'équipement dans l'ordre indiqué.
- Deux personnes au moins sont nécessaires pour transporter et déplacer l'équipement.



PRÉCAUTION

- Placez l'équipement sur une surface plane et ferme.
- Placez l'équipement sur une base protectrice pour éviter d'endommager la surface du sol.
- Prévoyez un dégagement d'au moins 100 cm autour de l'équipement.

- Consultez les illustrations pour l'assemblage correct de l'équipement.

Exercices

Un exercice doit être suffisamment léger mais prolongé. L'exercice aérobie repose sur l'amélioration de l'absorption maximum d'oxygène par le corps, améliorant à son tour l'endurance et la forme. Vous devez transpirer mais sans jamais être à bout de souffle durant l'exercice.

Pour atteindre et entretenir un niveau de forme basique, exercez-vous au moins 3 fois par semaine, par session de 30 minutes. Accroissez le nombre des sessions d'exercice pour améliorer votre niveau de forme. Il est profitable de combiner un exercice régulier

et un régime sain. Une personne suivant un régime doit s'exercer au quotidien, au début 30 minutes ou moins pour chaque session afin d'accroître ensuite progressivement le temps d'exercice quotidien pour atteindre une heure. Commencez vos exercices à une vitesse lente et avec une faible résistance pour éviter de soumettre le système cardiovasculaire à une contrainte excessive. À mesure de l'amélioration de votre forme, accroissez progressivement la vitesse et la résistance. L'efficacité de votre exercice est mesurable en suivant votre fréquence cardiaque et votre pouls.

Instructions d'entraînement

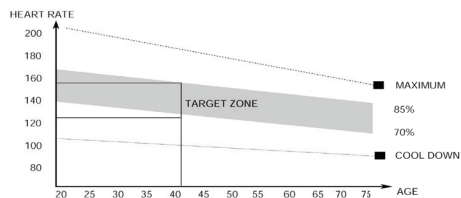
L'utilisation de votre appareil de fitness vous procurera plusieurs avantages : il vous permettra d'améliorer votre forme physique, de tonifier vos muscles et, associé à un régime hypocalorique, de perdre du poids.

Phase d'échauffement

Cette étape favorise la circulation du sang dans tout le corps et le bon fonctionnement des muscles. Elle réduit également le risque de crampes et de lésions musculaires. Il est conseillé de faire quelques exercices d'étirement, comme ceux qui sont indiqués ci-dessous. Chaque étirement doit être maintenu pendant environ 30 secondes. Ne forcez pas ou n'étirez pas excessivement un muscle. Si vous sentez qu'une position vous fait mal, ARRÊTEZ.

Phase d'exercice

C'est l'étape principale de votre entraînement. Après une utilisation régulière de l'appareil, vous sentirez que les muscles de vos jambes ont gagné en souplesse. Il est très important de maintenir un rythme régulier tout au long de la séance. Le rythme de travail doit être suffisant pour faire monter votre rythme cardiaque dans la zone cible indiquée sur le graphique ci-dessous.



Cette étape doit durer au moins 12 minutes, bien que l'on commence généralement à environ 15-20 minutes.

Phase de refroidissement

Cette étape a pour objectif de laisser votre système cardiovasculaire et vos muscles reprendre leur rythme normal. Il s'agit d'une répétition de l'exercice d'échauffement. Baissez le rythme et continuez pendant environ 5 minutes. Vous devez ensuite refaire les exercices d'étirement et souvenez-vous de ne pas forcer ou trop étirer un muscle dans une certaine position.

À mesure que vous améliorerez votre forme, vous ressentirez peut-être le besoin de vous entraîner plus longtemps ou de faire des entraînements plus poussés.

Il est conseillé de s'entraîner au moins trois fois par semaine et, si possible, d'espacer les séances régulièrement tout au long de la semaine.

Tonification musculaire

Pour tonifier vos muscles à l'aide de l'appareil de fitness, vous devrez sélectionner une résistance assez élevée. Les muscles de vos jambes seront davantage sollicités et vous ne pourrez peut-être pas vous entraîner aussi longtemps que vous le voudriez. Si vous souhaitez également améliorer votre forme, vous devrez modifier votre programme d'entraînement. Entraînez-vous normalement pendant les phases d'échauffement et de refroidissement, mais vers la fin de l'exercice, augmentez la résistance en faisant travailler vos jambes davantage. Vous devrez réduire la vitesse pour maintenir votre rythme cardiaque dans la zone cible.

Perte de poids

Ici, le facteur important est l'effort que vous déployez. Plus vous entraînez longtemps et de manière soutenue, plus vous brûlerez de

calories. C'est en réalité le même principe que pour l'entraînement d'amélioration de la forme ; la différence est l'objectif recherché.

Fréquence cardiaque

Mesure du pouls (pulsomètres)

Le pouls est mesuré par des capteurs dans les poignées lorsque l'utilisateur touche les deux capteurs à la fois.

La mesure la plus précise du pouls nécessite une peau légèrement humide et un contact constant des pulsomètres. Si la peau est trop sèche ou humide, la mesure du pouls peut devenir moins précise.



REMARQUE

- N'utilisez pas les pulsomètres en même temps que la sangle thoracique de fréquence cardiaque.
- – Si vous réglez une fréquence cardiaque limite pour votre exercice, une alarme retentit dès qu'elle est dépassée.

Fréquence cardiaque maximum (durant l'exercice)

La fréquence cardiaque maximum est la fréquence la plus élevée qu'une personne peut atteindre en toute sécurité sous la contrainte de l'exercice. La formule suivante sert à calculer la fréquence cardiaque maximum moyenne : $220 - \text{ÂGE}$ La fréquence cardiaque maximum varie d'une personne à l'autre.



AVERTISSEMENT

- Assurez-vous de ne pas dépasser votre fréquence cardiaque maximum durant l'exercice. Si vous appartenez à un groupe à risque, consultez un médecin.

Débutant 50-60% de fréquence cardiaque maximum

Adapté aux débutants, aux personnes suivant leur poids, aux convalescents et aux personnes ne s'exerçant pas depuis un certain temps. Exercez-vous au moins trois fois par semaine, par session de 30 minutes.

Avancé 60-70% de fréquence cardiaque maximum

Adapté aux personnes souhaitant améliorer et entretenir leur forme. Exercez-vous au moins trois fois par semaine, par session de 30 minutes.

Expert 70-80% de fréquence cardiaque maximum

Adapté aux personnes les plus en forme, habituées aux exercices d'endurance prolongés.

Usage

Interrupteur d'alimentation principale (fig. E-2A)

L'équipement comporte un interrupteur d'alimentation principale pour le mettre complètement hors tension.

Démarrage de l'équipement:

- Insérez la fiche secteur dans l'équipement.
- Insérez la fiche secteur dans la prise murale.
- Positionnez l'interrupteur d'alimentation principale sur marche (ON).

Arrêt de l'équipement :

- Positionnez l'interrupteur d'alimentation principale sur arrêt (OFF).
- Retirez la fiche secteur de la prise murale.
- Retirez la fiche secteur de l'équipement.

Clé de sécurité (Fig F-4)

L'équipement comporte une clé de sécurité qui doit être correctement insérée dans la console pour démarrer l'équipement. Si vous retirez la clé de sécurité de la console, l'équipement s'arrête immédiatement.

- Insérez la clé de sécurité dans la fente de la console.
 - Assurez-vous que le clip de la clé de sécurité est bien fixé à vos vêtements.
- Assurez-vous que le clip n'est pas retiré de vos vêtements avant que la clé de sécurité ne soit retirée de la console.

Disjoncteur (Fig. E-2B)

L'équipement comporte un disjoncteur qui coupe le circuit d'alimentation si la charge électrique dépasse la capacité maximum. En ce cas, vous devez appuyer sur le disjoncteur.

AVERTISSEMENT

- Avant d'appuyer sur le disjoncteur, retirez la fiche secteur de l'équipement.

Si l'équipement s'arrête, procédez comme suit pour le redémarrer :

- Retirez la fiche secteur de l'équipement.
- Appuyez sur le disjoncteur pour redémarrer l'équipement.
- Insérez la fiche secteur dans l'équipement.

REMARQUE

- Certains disjoncteurs utilisés dans des habitations ne sont pas conçus pour les appels de courant importants qui peuvent se produire lors de la mise en marche d'un tapis de course, voire pendant une utilisation normale. Si votre tapis de course déclenche le disjoncteur (même si la tension est correcte et si le tapis est le seul appareil branché sur le circuit), mais si le disjoncteur du tapis de course ne se déclenche pas, vous devez remplacer le disjoncteur par un type conçu pour des appels de courant importants. Il ne s'agit pas d'un défaut de garantie. C'est une situation qui échappe à notre contrôle en tant que fabricant.

Déplier et plier l'équipement (fig. F1-F2)

L'équipement peut être déplié pour son usage (fig. F1) puis replié pour son transport et son rangement (fig. F2).

Consultez les illustrations pour déplier et plier correctement l'équipement.

PRÉCAUTION

- Assurez-vous que l'inclinaison du tapis est de 0% avant de plier le plateau. Si l'inclinaison n'est pas de 0%, le mécanisme sera endommagé lors du pliage.

Interface de l'utilisateur (fig. E-1)

PRÉCAUTION

- Maintenez la console à l'écart de la lumière directe du soleil.
- Séchez la surface de la console dès qu'elle est couverte de gouttes de sueur.
- Ne vous appuyez pas sur la console.
- Touchez l'affichage uniquement avec le bout du doigt. Assurez-vous de ne pas toucher l'affichage avec vos ongles ou des objets coupants.

NOTE

- La console passe en mode de veille si l'équipement n'est pas utilisé pendant 4 minutes.

Boutons

Bouton Stop

- Démarrer ou arrêter (pause) l'exercice.
- Réinitialisez la console en poussant et en continuant à appuyer 2 secondes en "mode arrêt"

Vitesse + (Lièvre)

- Ce bouton augmente la vitesse (1.0 - 16 km/h).
- En appuyant une fois la vitesse augmente de 0,1 km/h.
- En appuyant et en maintenant le bouton enfoncé pendant deux secondes, la vitesse augmentera plus rapidement.
- Parcourez les programmes et changez les valeurs en mode programmation.

Vitesse - (Tortue)

- Ce bouton augmente la vitesse (1.0 - 16 km/h).
- En appuyant une fois la vitesse augmente de 0,1 km/h.
- En appuyant et en maintenant le bouton enfoncé pendant deux secondes, la vitesse diminuera plus rapidement.
- Parcourez les programmes et changez les

valeurs en mode programmation.

Inclinaison +

- Ce bouton augmente l'inclinaison (0%~10% ±1%).

Inclinaison -:

- Ce bouton augmente l'inclinaison (0%~10% ± 1%).

Mode

- Confirmez le réglage pour passer à l'étape suivante du mode de programmation.
- Pendant le mode entraînement, changez le paramètre pour la fenêtre de Step/ Distance & Pulse/ Calories.

Prog

- Sélectionnez un mode de programme

Start

- Démarrez l'entraînement sélectionné

Touches de changement rapide de vitesse.

Les touches de changement rapide de vitesse sont réglées pour amener à: 2, 6, 8, 10, 12, & 16 km/h. Par exemple, en poussant sur la touche de changement rapide de vitesse 8, la vitesse passe directement à 8 km/h.

Touches de changement rapide de d'inclinaison.

Les touches de changement rapide d'inclinaison sont réglées pour amener à: 2, 6, 8, 10 & 12 %. Par exemple, en poussant sur la touche de changement rapide d'inclinaison 6, l'inclinaison passe directement à 6 %.

Touche d'accès rapide à la vitesse.

- + : même fonction que la touche Speed +.
- - : même fonction que la touche Speed -.

Touche d'accès rapide à l'inclinaison.

- : même fonction que la touche Incline+.
- : même fonction que la touche Incline -.

Explication des éléments affichés (Fig. H)

Speed

- Montre la vraie vitesse du tapis de course en mode entraînement.
- Montre la vitesse à atteindre en mode programmation.

Incline

- Montre la vraie inclinaison du tapis de course en mode entraînement.
- Montre l'inclinaison à atteindre en mode programmation.

Distance

- Montre la distance courue en mode entraînement.
- Montre la distance à atteindre en mode programmation.
- Montre la sélection de programme en étant en mode programmation.

Time

- Montre la durée courue en mode entraînement.
- Montre le temps à atteindre en mode programmation.

Pulse

- Montre le rythme cardiaque en mode entraînement, ou "P" lorsqu'aucun rythme cardiaque n'est mesuré.

Calories

- Montre les calories brûlées en mode entraînement.



REMARQUE

- Ces données sont fournies à titre indicatif pour comparer entre différentes séances d'entraînement ; elles ne doivent pas être utilisées dans le cadre d'un traitement médical.

i REMARQUE

- L'écran "Step/ Distance" & "Pulse/ Calories" contrôle toutes les 5 secondes.
- Utilisez le bouton "MODE" pour figer l'écran ou démarrez à nouveau le contrôle en étant en mode figé.

Programmes

Quick start

- Appuyez sur la touche "START" pour commencer un entraînement sans configurer aucun paramètre au préalable.
- Le tapis de course démarre à la vitesse minimale de 1,0 Km/h et garde la configuration d'inclinaison actuellement paramétrée.
- Réglez la vitesse/ l'inclinaison manuellement à n'importe quel moment pour changer votre entraînement et arrêter/faire une pause à tout moment.

Mode Manuel

- Appuyez sur le bouton MODE pour ouvrir le mode programmation.
- Appuyez sur les boutons "PROG" pour sélectionner le programme "P0", appuyez sur le bouton "MODE" pour confirmer.
- Appuyez sur les boutons "SPEED +/-" pour paramétrer le temps d'entraînement désiré
La durée d'entraînement standard est de 30:00 minutes.
Fourchette de 10:00~99:00 min.

i REMARQUE

- En paramétrant 00:00 minutes, l'entraînement s'arrêtera, sauf s'il est arrêté manuellement.
- Appuyez sur le bouton "START" pour commencer l'entraînement.

Fin de l'entraînement

- Faites une pause pendant votre entraînement à tout moment en appuyant une fois sur le bouton "STOP".
L'écran affichera "PAUS" en mode pause.
- Appuyez sur le bouton "START" pour reprendre l'entraînement en mode "PAUSE".
- Appuyez et continuez d'appuyer sur le bouton "STOP" pour arrêter l'entraînement et réinitialiser la console.

Réglez au préalable les Programmes (P1~P36)

L'équipement a 36 programmes réglés au préalable avec différents profils. (Fig G)

- Appuyez sur le bouton MODE pour ouvrir le mode programmation.
- Appuyez sur les boutons "PROG" pour sélectionner le programme "P1~P36", appuyez sur le bouton "MODE" pour confirmer.
- Appuyez sur les boutons "SPEED +/-" pour paramétrer le temps d'entraînement désiré
La durée d'entraînement standard est de 30:00 minutes.
Fourchette de 10:00~99:00 min.

i REMARQUE

- En paramétrant 00:00 minutes, l'entraînement s'arrêtera, sauf s'il est arrêté manuellement.
- Appuyez sur le bouton "START" pour commencer l'entraînement.

Programmes d'utilisateur (U-01~U-03)

L'équipement a 3 programmes utilisateur.

Chaque programme utilisateur peut être modifié en fonction des exigences personnelles.

Chaque programme utilisateur a un maximum de 12 étapes.

La vitesse et l'inclinaison peuvent être paramétrées pour chaque étape.

Chaque étape prend 1/12 de la durée totale.

- Appuyez sur le bouton MODE pour ouvrir le mode programmation.
- Appuyez sur les boutons "PROG" pour

- sélectionner le programme "U-01~U-03", appuyez sur le bouton "MODE" pour confirmer.
- Appuyez sur les boutons "SPEED +/-" pour paramétrer le temps d'entraînement désiré. La durée d'entraînement standard est de 30:00 minutes. Fourchette de 10:00~99:00 min.. L'écran "Distance" affiche "01".
 - Appuyez sur les boutons "SPEED +/-" pour régler la vitesse. Appuyez sur les boutons "INCLINE +/-" pour régler l'inclinaison. Appuyez sur le bouton "MODE" pour confirmer. L'écran "Distance" affiche "02".
 - Répétez l'action ci-dessus pour configurer les autres étapes.
 - Appuyez sur le bouton "START" pour démarrer le programme.

Graisse corporelle

Le programme de graisse corporelle est un programme indiquant votre état physique, en se basant sur vos paramètres corporels et votre rythme cardiaque.

- Appuyez sur le bouton MODE pour ouvrir le mode programmation.
- Appuyez sur les boutons "PROG" pour sélectionner le programme "FAT", appuyez sur le bouton "MODE" pour confirmer.
- L'écran "Distance" affiche "F1" (SEXE) L'écran "Calories" affiche "1" Appuyez sur les boutons "SPEED +/-" pour paramétrer le sexe: 1: Mâle/ 2: Féminin, appuyez sur le bouton "MODE/" pour confirmer.
- L'écran "Distance" affiche "F2" (la âge) L'écran "Calories" affiche "25" Appuyez sur les boutons "SPEED +/-" pour paramétrer le ;, 10~99. appuyez sur le bouton "MODE/" pour confirmer.
- L'écran "Distance" affiche "F3" (la taille) L'écran "Calories" affiche "170"cm Appuyez sur les boutons "SPEED +/-" pour paramétrer le ;, 100~220. appuyez sur le bouton "MODE/" pour confirmer.
- L'écran "Distance" affiche "F4" (la poids) L'écran "Calories" affiche "70"kg Appuyez sur les boutons "SPEED +/-" pour

- paramétrer le ;, 20~150. appuyez sur le bouton "MODE/" pour confirmer.
- L'écran "Distance" affiche "F5" (actif) L'écran "Calories" affiche "- - -" (mesure).



ATTENTION

- Il faut tenir les coussinets de poignée mesurant la fréquence cardiaque pour cette fonction.

Calcul du résultat :

- FAT 0 ~17 poids insuffisant
 - FAT 18 ~ 27 standard
 - FAT 28 ~plus surpoids
- GP = Graisse corporelle (en %)
 - Le code d'erreur "ER" s'affichera si aucun rythme cardiaque n'a été détecté pendant le processus de mesure de GP.
 - Appuyez sur le bouton "MODE" pour quitter le programme de graisse corporelle

Garantie

Garantie du propriétaire d'un équipement de Tunturi

Conditions de garantie

Le consommateur dispose des droits légaux accordés par la législation nationale applicable au commerce des produits de consommation courante et cette garantie ne limite ces droits en aucun cas. La « Garantie du propriétaire » est valable uniquement si l'équipement est utilisé dans l'environnement correspondant à celui déterminé par Tunturi New Fitness BV. L'environnement d'utilisation de chaque appareil est mentionné dans le mode d'emploi fourni avec l'appareil en question.

Conditions de garantie

Les conditions de garantie sont applicables à compter de la date d'achat et peuvent varier selon les pays. Demandez conseil à votre revendeur.

Étendue de la garantie

En aucun cas Tunturi New Fitness BV, le revendeur ou le distributeur Tunturi ne répondra des éventuels dommages spéciaux, indirects, secondaires ou consécutifs, de quelque nature que ce soit, liés à l'utilisation de ou à l'inaptitude à utiliser cet équipement.

Restrictions de garantie

La garantie couvre les défauts de fabrication et de matériaux dans un équipement d'origine, sorti d'usine et conditionné par Tunturi New Fitness BV. La garantie couvre uniquement les défauts apparaissant lors d'une utilisation normale et conforme aux instructions du manuel du propriétaire, à condition que les instructions de montage, de maintenance et d'utilisation établies par Tunturi New Fitness BV aient été respectées. Tunturi New Fitness BV et les revendeurs Tunturi ne répondent pas des défauts occasionnés par des conditions indépendantes de leur volonté. La garantie est applicable uniquement au premier acheteur et est valable uniquement dans les pays où Tunturi New Fitness BV dispose d'un distributeur agréé. La garantie ne s'étend pas aux équipements de fitness ou aux pièces qui ont été modifiées sans l'autorisation de Tunturi New Fitness BV. La garantie ne s'applique pas aux défauts provenant d'une usure normale, d'une utilisation inadaptée, d'une utilisation dans des conditions non prévues par le fabricant, de la corrosion ou d'un dommage intervenu lors du chargement ou du transport.

La garantie ne couvre pas les sons ou les bruits émis par l'équipement s'ils ne gênent pas son utilisation et s'ils ne sont pas provoqués par un dysfonctionnement.

La garantie ne couvre pas non plus les mesures de maintenance, telles que le nettoyage, la lubrification ou la vérification normale des pièces, ni les actions que le client peut effectuer lui-même et qui n'exigent pas particulièrement de monter/ démonter l'équipement. Ces actions sont par exemple le changement des compteurs, des pédales ou autres pièces similaires faciles à changer. Seules les réparations sous garantie effectuées par un revendeur ou par le distributeur agréé Tunturi seront prises en charge. Le non-respect des instructions décrites dans le Manuel de l'utilisateur entraînera l'annulation de la garantie.

Nettoyage et maintenance

AVERTISSEMENT

- Avant le nettoyage et la maintenance, retirez la fiche secteur de la prise murale.
 - N'utilisez aucun solvant pour nettoyer l'équipement.
- Ne bloquez pas les ouvertures de ventilation. Débarrassez les ouvertures de ventilation de toute poussière, salissure ou obstruction.
 - Nettoyez l'équipement avec un chiffon doux et absorbant après chaque usage.
 - Nettoyez les parties visibles de l'équipement avec un aspirateur doté d'un petit suceur.
 - Vérifiez régulièrement le serrage de tous les écrous et vis.

Tapis et surface

Votre tapis de course utilise une couche très efficace à faible friction. Les performances seront meilleures si la surface est régulièrement nettoyée. Utilisez un chiffon doux et humide ou une serviette en papier pour essuyer le bord du tapis et la zone entre le bord du tapis et le châssis. Allez aussi loin que possible sous le bord du tapis. Ce nettoyage doit être fait une fois par mois afin de prolonger la durée de vie du tapis et de la surface. Utilisez uniquement de l'eau - jamais de produits de nettoyage ou d'abrasifs. Nettoyez le dessus du tapis texturé avec une eau savonneuse douce et une brosse en nylon. Laissez sécher le tapis avant de l'utiliser.

Lubrification (fig. F-4)

La lubrification du tapis roulant doit être contrôlée tous les 2 mois, sur base d'un usage moyen de 60 minutes par jour.

AVERTISSEMENT

- Avant la lubrification, retirez la fiche secteur de la prise murale.



PRÉCAUTION

- Lubrifiez le tapis roulant uniquement si c'est nécessaire. Une lubrification excessive peut faire patiner le tapis roulant du fait du manque de friction.
- Tenez-vous fermement sur le tapis roulant.
- Serrez le guidon avant et poussez le tapis roulant avec vos pieds afin de lui imprimer un mouvement avant-arrière. Le tapis roulant doit rouler régulièrement et silencieusement.
- Si le tapis roulant ne roule pas régulièrement et silencieusement ou s'il ne roule pas du tout, touchez la partie inférieure du tapis roulant avec vos doigts pour vérifier la lubrification.
 - Si vous sentez le lubrifiant ou si vos doigts sont brillants, le tapis est suffisamment lubrifié.
 - Si vous ne sentez pas le lubrifiant ou si vos doigts sont poussiéreux ou rugueux, appliquez du lubrifiant (15 à 20 ml) au milieu du plateau roulant sous le tapis roulant et laissez l'équipement fonctionner à 5 km/h durant au moins 5 minutes.
 - Après la lubrification, ne repliez pas l'équipement sans effectuer une session de 20 minutes à une vitesse d'au moins 5 km/h. Le lubrifiant se répartit uniformément ainsi sur tout le tapis roulant.

Poussière de tapis

Le tapis dégage de la poussière lors d'un rodage normal jusqu'à ce que le tapis se stabilise. Essayez la poussière à l'aide d'un chiffon humide pour éviter qu'elle s'accumule.

Nettoyage général

Les saletés, la poussière et les poils d'animaux peuvent bloquer les entrées d'air et s'accumuler sur le tapis. Tous les mois : passez l'aspirateur sous le tapis de course pour éviter l'accumulation. Retirez le capot noir du moteur deux fois par an et aspirez les saletés qui peuvent s'y accumuler.

DEBRANCHEZ L'APPAREIL AVANT LE NETTOYAGE.

- Serrez les boulons du rouleau arrière (dans le sens des aiguilles d'une montre) juste assez

- pour empêcher que le tapis patine sur le rouleau avant. Tournez les deux boulons de réglage de la tension du tapis par incréments d'un quart de tour et contrôlez la tension en marchant lentement sur le tapis et en vous assurant que celui-ci ne patine pas. Continuez à serrer les boulons jusqu'à ce que le tapis cesse de patiner.
- Si vous avez l'impression que le tapis est assez serré mais patine encore, le problème provient peut-être d'une courroie de transmission lâche sous le capot avant.
- Ne serrez pas trop: Un serrage excessif peut endommager le tapis et entraîner une défaillance prématurée des roulements.

Centrage du tapis :

Le niveau de performance de votre tapis de course dépend de la planéité de la surface sur laquelle il fonctionne. Lorsque le châssis n'est pas horizontal, le rouleau avant et le rouleau arrière ne peuvent pas rester parallèles et le tapis devra être centré sans cesse.

Cet appareil est conçu de façon à ce que le tapis reste raisonnablement centré lorsqu'il est en service. Il est normal que certains tapis ont tendance à dériver lorsque personne ne se trouve dessus. Après quelques minutes, le tapis devrait se centrer automatiquement. Si le tapis continue à dériver, il faudra le centrer.

EXCEPTION :

Lors d'une rééducation, pendant laquelle l'utilisateur marche sur une jambe plus forte que l'autre, il se peut que le tapis dérive. Dans de tels cas, vous ne devez pas centrer le tapis, à moins que le tapis ne se centre pas automatiquement dans des conditions d'utilisation normales.

Pour centrer le tapis (fig. F-5)

Une clé hexagonale coudée de 10 mm est fournie pour régler le rouleau arrière. Le réglage doit être effectué uniquement du côté gauche. Réglez la vitesse du tapis sur environ 3 à 5 km/h.

Rappelez-vous : un petit ajustement peut faire une différence considérable !

Tournez le boulon dans le sens des aiguilles d'une montre pour déplacer le tapis vers la droite et dans le sens inverse pour le déplacer vers la gauche. Tournez le boulon seulement un quart de tour à la fois et attendez quelques minutes jusqu'à ce que le tapis se déplace. Continuez à faire des quarts de tour jusqu'à ce que le tapis se stabilise au centre.

Il se peut que vous deviez centrer le tapis de temps en temps en fonction de l'utilisation et de votre façon de marcher/de courir. Pour certains utilisateurs, le centrage se fera d'une façon différente. Attendez-vous à procéder aux ajustements nécessaires au centrage du tapis. Au fur et à mesure que le tapis est utilisé, ces ajustements vous causeront moins de soucis. Il est de la responsabilité de tout propriétaire de bien centrer son tapis de course.

NOTE

- Les dommages causés au tapis résultant d'un mauvais centrage / réglage de la tension ne sont pas couverts par la garantie.

Defauts de fonctionnement

En dépit d'un contrôle continu de la qualité, l'appareil peut présenter des défauts ou des anomalies de fonctionnement provenant de certains de ses composants. Dans ce cas, il n'est pas cependant nécessaire d'aller faire réparer votre appareil, le problème pouvant bien souvent être résolu par simple changement de la pièce défectueuse.

Contactez votre distributeur au cas où vous remarqueriez un défaut ou un mauvais fonctionnement de votre l'appareil ou si vous avez besoin de pièces de rechange. Indiquez-lui la nature du problème, les conditions d'utilisation, la date d'achat, le modèle et le numéro de série.

Vous trouverez la liste des pièces détachées à la fin de ce mode d'emploi. Seules des pièces mentionnées dans la liste des pièces de rechange peuvent être utilisées dans l'appareil.

Codes d'erreur

Si l'affichage indique un code d'erreur ("E"/ "DC" + un nombre), redémarrez l'équipement et vérifiez si le code d'erreur s'affiche toujours. Si le code d'erreur persiste, contactez immédiatement le revendeur.

Transport et rangement



AVERTISSEMENT

- Avant le nettoyage et la maintenance, retirez la fiche secteur de la prise murale.
- Deux personnes au moins sont nécessaires pour transporter et déplacer l'équipement.
- Assurez-vous que rien, ni personne ne se trouve sous l'équipement.
- En pliant l'équipement, assurez-vous de l'entendre se verrouiller en position afin qu'il ne se déplie pas inopinément.



PRÉCAUTION

- Avant de plier l'équipement, assurez-vous que l'inclinaison est à 0 %. Si l'inclinaison n'est pas à 0 %, le pliage va endommager le mécanisme.
- Déplacez l'équipement comme illustré (fig. F3). Déplacez l'équipement et reposez-le prudemment. Placez l'équipement sur une base protectrice pour éviter d'endommager la surface du sol. Déplacez prudemment l'équipement sur les surfaces irrégulières. Ne déplacez pas l'équipement sur ses roues pour monter des escaliers mais transportez-le par les guidons.
- Rangez l'équipement à la verticale (fig. F1). Rangez l'équipement dans un endroit sec exposé à des variations de température minimales.

Informations supplémentaires

Élimination des emballages

Les réglementations gouvernementales nous demandent de réduire la quantité de matériaux déposés dans les décharges. C'est pour cela que nous faisons appel à votre responsabilité et vous demandons de déposer les emballages dans des centres de recyclage publics.

Élimination du produit

Chez Tunturi, nous espérons que vous profiterez longtemps de votre appareil de fitness. Cependant, nous savons bien qu'un jour ou l'autre votre machine arrivera au terme de sa vie utile. Selon la directive européenne sur les DEEE, vous êtes responsable de vous séparer correctement de votre appareil de fitness en le déposant dans un site public agréé de récupération des déchets.

Déclaration du fabricant

Tunturi Fitness BV déclare que le produit est conforme aux directives et normes suivantes : EN 957 (HB), 89/336/CEE. Ce produit porte donc la marque CE.

01-2017

Tunturi New Fitness BV
Purmerweg 1
1311 XE Almere
Pays-Bas

Limite de responsabilité

© 2017 Tunturi New Fitness BV
Tous les droits réservés.

Le produit et le manuel sont sujets à modifications. Les spécifications peuvent changer sans préavis.

Nederlands

Deze Nederlandse handleiding is een vertaling van de Engelse tekst. Aan deze vertaling kunnen geen rechten ontleend worden. De originele Engelse tekst blijft leidend.

Inhoud

Loopband	52
Veiligheids waarschuwingen	52
Elektrische veiligheid.....	53
Beschrijving (Fig. A).....	54
Inhoud van de verpakking (Fig. B & C).....	54
Assemblage (Fig. D).....	54
Trainingen.....	54
Instructies.....	55
Gebruik	56
Monitor (fig. E-1)	57
Knoppen.....	57
Uitleg van de items op het display (Fig. H)	58
Programma's	58
Quick start.....	58
Manual (handmatig).....	58
De workout beëindigen.....	59
Garantie	60
Reiniging en onderhoud	61
Smeren (fig. F-4).....	61
Gebruiksstorings	63
Transport en opslag	63
Aanvullende informatie.....	63
Verklaring van de fabrikant	64
Disclaimer	64

Loopband

Welkom in de wereld van Tunturi Fitness! Hartelijk dank voor uw aankoop van dit Tunturi-toestel. Tunturi biedt een grote verscheidenheid aan professionele toestellen zoals crosstrainers, loopbanden, fietstrainers, roeimachines en accessoires. Het Tunturi-toestel is geschikt voor de hele familie, onafhankelijk van de conditie. Meer informatie vindt u op de website www.tunturi.com

Belangrijke Informatie

Deze gids is een essentieel onderdeel van uw Tunturi looptrainer. Lees deze gids zorgvuldig door vóórdat u begint met monteren, gebruiken of onderhouden van uw looptrainer. Bewaar de gids op een handige plaats. U kunt er, nu en in de toekomst, nuttige informatie uithalen die u nodig heeft voor het gebruik en het onderhoud van de apparatuur. Volg de instructies altijd met zorg op.

Veiligheids waarschuwingen



WAARSCHUWING

- Lees de veiligheid-waarschuwingen en de instructies. Het niet opvolgen van de veiligheid-waarschuwingen en de instructies kan persoonlijk letsel of beschadiging van het toestel veroorzaken. Bewaar de veiligheid-waarschuwingen en instructies voor toekomstig gebruik.



WAARSCHUWING

- Hartslag-bewakingssystemen kunnen onnauwkeurig zijn. Overmatig trainen kan leiden tot ernstig letsel of de dood. Als u zich duizelig voelt, stop dan onmiddellijk met trainen.
- Het toestel is uitsluitend geschikt voor huishoudelijk gebruik. Het toestel is niet geschikt voor commercieel gebruik.
- Het maximum gebruik is beperkt tot 3 uur per dag
- Het gebruik van dit toestel door kinderen

of personen met fysieke, sensorische, geestelijke of motorische handicaps, of met gebrek aan ervaring en kennis kan gevaar veroorzaken. De personen die verantwoordelijk zijn voor hun veiligheid moeten uitdrukkelijke instructies geven of toezicht houden op het gebruik van het toestel.

- Laat uw gezondheid door een arts controleren voordat u met uw training begint.
- Als u misselijkheid, duizeligheid of andere abnormale symptomen ervaart, stop dan onmiddellijk met uw training en raadpleeg een arts.
- Om spierpijn en te zware belasting te voorkomen, moet u elke training beginnen met een warming-up en eindigen met een cooling-down. Vergeet niet om uw spieren te strekken aan het einde van de training.
- Het toestel is uitsluitend geschikt voor gebruik binnenshuis. Het toestel is niet geschikt voor gebruik buitenshuis.
- Gebruik het toestel alleen in een omgeving met voldoende ventilatie. Gebruik het toestel niet in een tochtige omgeving om geen kou te vatten.
- Gebruik het toestel alleen in een omgeving met een omgevingstemperatuur tussen 10 °C en 35 °C. Berg het toestel alleen op bij een omgevingstemperatuur tussen 5 °C en 45 °C.
- Gebruik het toestel niet in een vochtige omgeving. Berg het toestel niet op in een vochtige omgeving. De luchtvochtigheid mag nooit meer zijn dan 80%.
- Gebruik het toestel alleen voor het doel waarvoor het gemaakt is. Gebruik het toestel niet voor andere doelstellingen dan beschreven in de handleiding.
- Gebruik het toestel niet als een onderdeel is beschadigd of niet goed werkt. Raadpleeg uw dealer als een onderdeel is beschadigd of niet goed werkt.
- Houd uw handen, voeten en andere lichaamsdelen uit de buurt van de bewegende delen.
- Houd uw haar uit de buurt van de bewegende delen.
- Draag geschikte kleding en schoenen.
- Houd kleding, sieraden en andere voorwerpen uit de buurt van de bewegende delen.
- Zorg ervoor dat het toestel slechts door één

persoon tegelijk wordt gebruikt. Het toestel mag niet worden gebruikt door personen die meer dan 135 kg (300 lbs) wegen.

- Maak het toestel niet open zonder eerst uw dealer te raadplegen.

Elektrische veiligheid

(Uitsluitend voor toestellen met elektrisch vermogen)

- Controleer voor gebruik altijd of de netspanning gelijk is aan de spanning op het typeplaatje van het toestel.
- Gebruik geen verlengsnoer.
- Houd het snoer uit de buurt van warmte, olie en scherpe randen.
- Verander of wijzig het snoer of de stekker niet.
- Gebruik het toestel niet als het snoer of de stekker beschadigd is of niet goed werkt. Als het snoer of de stekker is beschadigd of niet goed werkt, raadpleeg dan uw dealer.
- Rol het snoer altijd helemaal uit.
- Laat het snoer niet onder het toestel door lopen. Laat het snoer niet onder een kleed door lopen. Plaats geen voorwerpen op het snoer.
- Zorg ervoor dat het snoer niet over de rand van een tafel hangt. Zorg ervoor dat niemand per ongeluk achter het snoer kan blijven haken of erover kan struikelen.
- Laat het toestel niet onbewaakt achter wanneer de stekker in het stopcontact zit.
- Trek niet aan het snoer als u de stekker uit het stopcontact wilt halen.
- Verwijder de stekker uit het stopcontact wanneer het toestel niet in gebruik is, vóór montage of demontage en vóór reiniging en onderhoud.



WAARSCHUWING

- Als het voltage varieert met tien (10) procent, kan dit de prestaties van de loopband negatief beïnvloeden. Dergelijke omstandigheden vallen niet onder de garantie. Als u vermoedt dat het voltage te laag is, neemt u contact op met het lokale energiebedrijf of een bevoegd elektricien voor het uitvoeren van een test.



WAARSCHUWING

- Gebruik NOOIT een overspanning-beveiliging met deze loopband. Net als bij elk apparaat met een grote motor zal de overspanning-beveiliging vaak worden geactiveerd. Houd het stroom snoer uit de buurt van bewegende onderdelen van de loopband, inclusief het helling-mechanisme en de transportwielletjes.

Aardingsinstructies

Dit product moet worden geaard. Als het elektrische systeem van de loopband niet goed/niet meer werkt, vormt aarding een pad van minste weerstand voor elektrische stroom, waardoor het risico van een elektrische schok afneemt. Dit product is voorzien van een koord met een aardingsstekker. De stekker moet in een geschikt stopcontact worden geplaatst dat op juiste wijze is gemonteerd en geaard in overeenstemming met alle lokale normen en verordeningen.



WAARSCHUWING

- Onjuiste aansluiting van de aardingsgeleider kan resulteren in risico van een elektrische schok. Neem contact op met een bevoegd elektricien of onderhoudsmonteur als u niet zeker weet of het product goed is geaard. Pas de stekker die met het product wordt geleverd niet aan wanneer het niet in het stopcontact past. Laat een geschikt stopcontact installeren door een bevoegd elektricien.

Beschrijving (Fig. A)

Uw loopband is is een stationair fitnessstoestel dat wordt gebruikt voor het nabootsen van lopen of hardlopen zonder dat de gewrichten te veel belast worden.

Inhoud van de verpakking

(Fig. B & C)

- De verpakking bevat de onderdelen zoals aangegeven in fig. B.
- De verpakking bevat de bevestigingsmiddelen zoals aangegeven in fig. C. Raadpleeg het gedeelte "Beschrijving".



LET OP

- Raadpleeg uw dealer als een onderdeel ontbreekt.

Assemblage (Fig. D)



WAARSCHUWING

- Monteer het apparaat in de aangegeven volgorde.
- Draag en verplaats het toestel met minstens twee personen.



VOORZICHTIG

- Zet het toestel op een stevige, vlakke ondergrond.
 - Zorg voor een beschermende laag onder het toestel om schade aan het vloeroppervlak te voorkomen.
 - Houd rondom de apparatuur ten minste een bewegingsruimte van 100 cm.
- Raadpleeg de illustraties voor de juiste assemblage van het toestel.

Trainingen

De training moet licht genoeg zijn, maar wel langdurig. Aerobische training is gebaseerd op verbetering van de maximale zuurstofopname van het lichaam, die dan het uithoudingsvermogen en de conditie weer verbetert. U moet tijdens de training wel transpireren, maar u mag niet buiten adem raken.

Voor het bereiken en in stand houden van

een basisconditie moet u minstens drie keer per week steeds 30 minuten trainen. Verhoog het aantal trainingssessies ter verbetering van uw conditie. Het is de moeite waard om regelmatige lichaamsbeweging met gezonde voeding te combineren. Iemand die zich goed aan een dieet houdt, zou elke dag moeten trainen te beginnen met 30 minuten of korter, en de dagelijkse trainingsduur geleidelijk opvoeren tot één uur. Begin uw training bij een lage snelheid en een lage weerstand om te voorkomen dat uw hart en bloedvaten te sterk belast worden. Naarmate uw conditie verbetert, kunnen snelheid en weerstand geleidelijk worden verhoogd. De doelmatigheid van uw training kan worden gemeten door uw hartslag.

Instructies

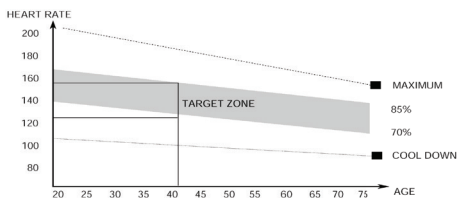
Het gebruik van dit fitness apparaat biedt meerdere voordelen: u verbetert uw fysieke conditie, u versterkt uw spieren en u valt in combinatie met een caloriearm dieet af.

De warming-up

In deze fase wordt uw bloedsomloop gestimuleerd voor een juiste werking van de spieren. Tevens wordt het risico op kramp en spier-letsel verminderd. Wij raden u aan enkele stretch oefeningen te doen, zoals hieronder beschreven. Houd elke stretch oefening ongeveer 30 seconden vol. Forceer uw spieren niet bij het stretchen. STOP als het pijn doet

De training fase

Dit is de fase waarin u de meeste inspanning levert. Na regelmatig gebruik worden de spieren in uw benen flexibeler. Het is in deze fase zeer belangrijk dat u een gelijkmatig tempo aanhoudt. De snelheid moet voldoende zijn om uw hartslag te laten stijgen naar de doel zone die in de onderstaande grafiek te zien is.



Deze fase moet minimaal 12 minuten duren, maar de meeste mensen beginnen met ongeveer 15-20 minuten.

De cooling down

In deze fase ontspant u uw cardiovasculaire systeem en spieren. Dit is een herhaling van de warming-uptraining. Verlaag dus uw tempo en ga ongeveer 5 minuten door. Herhaal nu de stretch-oefeningen. Forceer uw spieren niet tijdens het stretchen.

Naarmate u fitter wordt, moet u langer en harder trainen. Het is raadzaam minstens drie keer per week te trainen en zo nodig uw oefeningen gelijkmatig over de week te verspreiden.

Spierversteviging

Als u uw spieren wilt verstevigen met behulp van dit fitnessapparaat, stelt u de weerstand in op hoog. Zo komt er meer spanning op uw beenspieren. Mogelijk kunt u niet zo lang trainen als u zou willen. Als u ook uw conditie wilt verbeteren, moet u het trainingsprogramma aanpassen. Tijdens de warming-up en cooling-down traint u zoals normaal, maar tegen het eind van de trainingsfase verhoogt u de weerstand zodat uw benen harder moeten werken. Verlaag hierbij de snelheid zodat uw hartslag in de doelzone blijft.

Gewichtverlies

Hierbij is het van belang hoeveel inspanning u levert. Hoe harder en langer u werkt, hoe meer calorieën u verbrandt. In feite is dit hetzelfde als wanneer u zou trainen om uw conditie te verbeteren. Het doel is alleen anders.

Hartslagmeting (handgreepsensoren)

De hartslag wordt gemeten door sensoren in de handgrepen wanneer de gebruiker beide sensoren tegelijkertijd aanraakt. Voor de meest nauwkeurige hartslagmeting moet de huid enigszins vochtig zijn en moet u de handgreepsensoren voortdurend aanraken. Bij een te droge of te vochtige huid kan de hartslagmeting minder nauwkeurig worden.

LET OP

- Gebruik de handgreepsensoren niet in combinatie met een hartslagborstband.
- Als u een hartslag-limiet hebt ingesteld voor uw training, klinkt er een alarm wanneer deze wordt overschreden.

Maximale hartslag (tijdens de training)

De maximale hartslag is de hoogste hartslag die iemand veilig kan bereiken door de belasting van de training. De volgende formule wordt gebruikt voor het berekenen van de gemiddelde maximale hartslag: $220 - \text{LEEFTIJD}$. De maximale hartslag varieert van persoon tot persoon.



WAARSCHUWING

- Zorg ervoor dat u tijdens uw training niet boven uw maximale hartslag komt. Als u bij een risicogroep hoort, moet u een arts raadplegen.

Beginner 50-60% van de maximale hartslag

Geschikt voor beginners, mensen die willen afvallen, herstellende patiënten en personen die lange tijd niet getraind hebben. Train minstens drie keer per week, 30 minuten per keer.

Gevorderd 60-70% van de maximale hartslag

Geschikt voor personen die hun conditie willen verbeteren en in stand houden. Train minstens drie keer per week, 30 minuten per keer.

Expert 70-80% van de maximale hartslag

Geschikt voor de fitste personen die gewend zijn aan langdurige duurtraining.

Gebruik

Hoofdschakelaar (Fig. E-2A)

Het toestel is uitgerust met een hoofdschakelaar om het toestel volledig uit te schakelen.

Starten van het toestel:

- Plaats de stekker in het toestel.
- Plaats de stekker in het stopcontact.
- Zet de hoofdschakelaar in de aan-stand (ON).

Stoppen van het toestel:

- Zet de hoofdschakelaar in de uit-stand (OFF).
- Verwijder de stekker uit het stopcontact.
- Verwijder de stekker uit het toestel.

Veiligheidssleutel (fig. F-4)

Het toestel is uitgerust met een veiligheidssleutel die juist in de console moet worden geplaatst om het toestel te starten. Als u de veiligheidssleutel uit de console verwijdert, stopt het toestel onmiddellijk.

- Plaats de veiligheidssleutel in de sleuf in de console.
- Zorg ervoor dat de clip van de veiligheidssleutel juist aan uw kleding vastzit. Zorg ervoor dat de clip pas van uw kleding wordt gehaald wanneer de veiligheidssleutel uit de console is verwijderd.

Circuitonderbreker (FIG. E-2B)

Het toestel is uitgerust met een circuitonderbreker die het circuit onderbreekt wanneer de elektrische belasting boven de maximale capaciteit komt. Wanneer dit gebeurt, moet de circuitonderbreker worden ingedrukt.



WAARSCHUWING

- Verwijder voor het indrukken van de circuitonderbreker de stekker uit het toestel.

Als het toestel uitschakelt, gaat u als volgt te werk om het toestel opnieuw op te starten:

- Verwijder de stekker uit het toestel.
- Druk de circuitonderbreker in om het toestel opnieuw op te starten.
- Plaats de stekker in het toestel.



LET OP

- Sommige stroomonderbrekers die binnenshuis worden gebruikt, zijn niet berekend op hoge inschakelstroomstoten die kunnen optreden wanneer de loopband voor de eerste keer wordt ingeschakeld of zelfs tijdens normaal gebruik. Als de loopband de

stroomonderbreker activeert (zelfs al heeft deze het juiste stroombereik en is de loopband het enige aangesloten apparaat) maar de stroomonderbreker op de loopband zelf niet wordt geactiveerd, moet u de onderbreker vervangen met een type dat is berekend op hoge inschakelstroomstoten. Dit is geen defect dat onder de garantie valt. Dit is een omstandigheid waarop wij als fabrikant geen invloed hebben.

Uitklappen en inklappen van het toestel (fig. F1-F2)

Het toestel kan worden uitgeklaapt voor gebruik (fig. F1) en ingeklapt voor transport en opslag (fig. F2).

Raadpleeg de illustraties voor de juiste wijze van uitklappen en inklappen van het toestel.



WAARSCHUWING

- Zorg ervoor dat de hellingsgraad van de loopband op 0% is ingesteld alvorens hem op te vouwen. Zo niet zou schade kunnen ontstaan aan het mechanisme.

Monitor (fig. E-1)



VOORZICHTIG

- Houd de console uit de buurt van direct zonlicht.
- Droog het oppervlak van de console wanneer het met zweetdruppels is bedekt.
- Leun niet op de console.
- Raak de display alleen met uw vingertop aan. Raak de display niet aan met uw nagels of een scherp voorwerp.



LET OP

- De console gaat naar standby wanneer het toestel gedurende 4 minuten niet wordt gebruikt.

Knoppen

Stop

- Start of Stop (pauzeer) training
- U reset de console wanneer u deze knop in de 'stopmodus' 2 seconden ingedrukt houdt

Snelheid + (Haas)

- Hiermee verhoogt u de snelheid (1.0 - 16 km/u).
- Door eenmaal op deze knop te drukken, verhoogt u de snelheid met 0,1 km/u.
- Als u de knop twee seconden ingedrukt houdt, wordt de snelheid sneller verhoogd.
- In de programmeringsmodus kunt u door programma's scrollen en waarden wijzigen.

Snelheid - (Schildpad)

- Hiermee verlaagt u de snelheid (1.0 - 16 km/u).
- Door eenmaal op deze knop te drukken, verlaagt u de snelheid met 0,1 km/u.
- Als u de knop gedurende twee seconden ingedrukt houdt, wordt de snelheid sneller verlaagd.
- In de programmeringsmodus kunt u door programma's scrollen en waarden wijzigen.

Helling +

- Hiermee verhoogt u de hellingsgraad (0%~10% ±1%).

Helling -

- Hiermee verlaagt u de hellingsgraad (0%~10% ±1%).

Mode

- U bevestigt de instelling door naar de volgende stap in de programmeringsmodus te gaan.
- In de workoutmodus kunt u de parameter wijzigen in het venster Step/ Distance & Pulse/ Calories.

Prog

- Met deze knop selecteert u de programmeringsmodus

Start

- Met deze knop start u de gekozen workout

Sneltoetsen voor snelheid.

Sneltoetsen zijn ingesteld op: 2, 6, 8, 10, 12, & 16 km/h. Bijvoorbeeld, als u drukt op sneltoets 8 springt de snelheid meteen op 8 km/h.

Sneltoetsen voor helling.

Sneltoetsen zijn ingesteld op: 2, 6, 8, 10 & 12 %. Bijvoorbeeld, als u drukt op sneltoets 6 springt de helling meteen op 6 %.

Snelle toegangstoetsen voor snelheid.

- + : zelfde als Speed +.
- - : zelfde als Speed -.

Snelle toegangstoetsen voor helling.

- + : zelfde als Incline +.
- - : zelfde als Incline -.

Uitleg van de items op het display (Fig. H)

Speed

- Toont de actuele snelheid van de looptrainer in de workoutmodus.
- Toont de streefsnelheid in de programmeringsmodus.

Incline

- Toont de actuele helling van de looptrainer in de workoutmodus.
- Toont de streefhelling in de programmeringsmodus.

Distance

- Toont de gelopen afstand in de workoutmodus.
- Toont de streefafstand in de programmeringsmodus.
- Toont het gekozen programma in de programmeringsmodus.

Time

- Toont de gelopen tijd in de workoutmodus.
- Toont de streeftijd in de programmeringsmodus.

Pulse

- Toont de hartslag in de workoutmodus, of 'P' wanneer er geen hartslag wordt geregistreerd.

Calories

- Toont de verbrande calorieën in de workoutmodus.

i *LET OP*

- Deze gegevens zijn een richtlijn voor de vergelijking van verschillende trainingssessies en kunnen niet voor medische behandelingen worden gebruikt.

i *OPMERKING*

- Het display "Step/ Distance" & "Pulse/ Calories" scant om de 5 seconden.
- Met de knop MODE kunt u het display stil zetten en het scannen opnieuw starten.

Programma's

Quick start

- Druk op de knop START om uw workout te beginnen zonder voorgeprogrammeerde instellingen.
- De loopband begint op een minimum snelheid van 1,0 km/u, met de ingestelde hellingsgraad.
- U kunt op elk gewenst moment de snelheid en hellingsgraad aanpassen tijdens de workout, evenals stoppen en pauzeren.

Manual (handmatig)

- Druk op MODE om de programmeringsmodus te openen.
- Druk op de knoppen "PROG" om het programma "P0" te selecteren en druk vervolgens op MODE om uw keuze te bevestigen.
- Druk op de knoppen "SPEED +/-" om de gewenste trainingstijd in te stellen. De standaard ingestelde trainingstijd is 30:00 minuten. Het bereik is 10:00~99:00 minuten.

i *OPMERKING*

- Wanneer u 00:00 minuten instelt, stopt de training niet, tenzij u dit zelf handmatig doet.

- Druk op START om uw workout te starten.

De workout beëindigen

- U kunt de workout op elk gewenst moment pauzeren door eenmaal op de knop "STOP" te drukken.
Op het display wordt "PAUS" weergegeven in de pauzmodus.
- Druk op "START" om de pauzmodus uit te schakelen en de training te hervatten.
- Houd de knop "STOP" ingedrukt als u de workout wilt afronden en de console wilt resetten.

Vooraf ingestelde programma's (P1~P36)

Het apparaat omvat 36 vooraf ingestelde programma's met verschillende profielen. (Fig G)

- Druk op MODE om de programmeringsmodus te openen.
- Druk op de knoppen "PROG" om het programma "P1~P36" te selecteren en druk vervolgens op MODE om uw keuze te bevestigen.
- Druk op de knoppen "SPEED +/-" om de gewenste trainingstijd in te stellen
De standaard ingestelde trainingstijd is 30:00 minuten.
Het bereik is 10:00~99:00 minuten.



OPMERKING

- Wanneer u 00:00 minuten instelt, stopt de training niet, tenzij u dit zelf handmatig doet.
- Druk op START om uw workout te starten.

Gebruikersprogramma's (U01~U03)

Het apparaat omvat 3 gebruikersprogramma's.

U kunt elk gebruikersprogramma aan uw persoonlijke wensen aanpassen.

Elk gebruikersprogramma bevat maximaal 12 stappen.

U kunt voor elke stap de snelheid en de hellingsgraad instellen.

Elke stap neemt 1/12 van de totaal tijd in beslag.

- Druk op MODE om de programmeringsmodus te openen.

- Druk op de knoppen "PROG" om het programma "U01~U03" te selecteren en druk vervolgens op MODE om uw keuze te bevestigen.
- Druk op de knoppen "SPEED +/-" om de gewenste trainingstijd in te stellen
De standaard ingestelde trainingstijd is 30:00 minuten.
Het bereik is 10:00~99:00 minuten
Op het "Distance" display wordt "01" weergegeven.
- Druk op de knop "SPEED +/-" om de snelheid in te stellen. Druk op de knop "INCLINE +/-" om de hellingsgraad in te stellen. Druk op "MODE" om uw instelling te bevestigen.
Op het "Distance" display wordt "02" weergegeven
- Herhaal de bovenstaande handeling om de andere stappen te configureren.
- Druk op de knop "START" om het programma te starten.

Body Fat

Met het programma Body Fat wordt uw fysieke conditie aangegeven, op grond van uw lichaamskenmerken en hartslag.

- Druk op MODE om de programmeringsmodus te openen.
- Druk op de knoppen "PROG" om het programma "FAT" te selecteren en druk vervolgens op MODE om uw keuze te bevestigen.
- Het "Distance" display geeft weer "F1" (geslacht)
Het "Calories" display geeft weer "1"
Druk op de knoppen "SPEED +/-" om uw geslacht in te stellen: 1: Man / 2: Vrouw,
Druk op "MODE" om uw keuze te bevestigen.
- Het "Distance" display geeft weer "F2" (Leeftijd)
Het "Calories" display geeft weer "25"
Druk op de knoppen "SPEED +/-" om uw leeftijd in te stellen: 10~99.
Druk op "MODE" om uw keuze te bevestigen.

- Het "Distance" display geeft weer "F3" (Lengte)
Het "Calories" display geeft weer "170"cm
Druk op de knoppen "SPEED +/-" om uw lengte in te stellen: 100~220.
Druk op "MODE" om uw keuze te bevestigen.
- Het "Distance" display geeft weer "F4" (Gewicht)
Het "Calories" display geeft weer "70"cm
Druk op de knoppen "SPEED +/-" om uw gewicht in te stellen: 20~150
Druk op "MODE" om uw keuze te bevestigen.
- Het "Distance" display geeft weer "F5" (Actief)
Het "Calories" display geeft weer "- - - -" (Meten)



VOORZICHTIG

- Voor deze functie moet u de hartslagmetingspads in de handgrepen vasthouden.

Resultaat van de berekening:

- FAT 0 ~17 Ondergewicht
 - FAT 18 ~ 27 Standaard
 - FAT 28 ~plus Overgewicht
- BF = Body Fat (lichaamsvetpercentage) (in verhoudingspercentage)
 - De foutmelding 'ER' wordt weergegeven als er tijdens het BF-metingsproces geen hartslag werd geregistreerd.
 - Druk op de knop "MODE" om het programma Body Fat te sluiten.

Garantie

Garantie voor eigenaars van Tunturi trainingsapparatuur

Garantievoorwaarden

De consument ontleent wettelijke rechten aan de van toepassing zijnde nationale wetgeving aangaande de handel in consumentgoederen en de garantie zal deze rechten niet beperken. De "Garantie voor de Eigenaar" geldt alleen

dan wanneer het toestel wordt gebruikt in de door Tunturi New Fitness BV voor dat toestel toegestane gebruiksomgeving. Voor elk toestel wordt de toegestane gebruiksomgeving beschreven in de gebruiksaanwijzing van het toestel.

Garantievoorwaarden

De garantievoorwaarden gaan in vanaf de datum van aankoop. Deze kunnen per land verschillen. Vraag in de winkel bij u in de buurt naar de garantievoorwaarden.

Garantiedekking

In geen enkele omstandigheid zal Tunturi New Fitness BV of een wederverkoper van Tunturi aansprakelijk zijn voor eventuele indirecte schade geleden door de koper, zoals verlies van gebruiksruimte of inkomstenderving of andere indirecte economische gevolgen.

Garantiebeperkingen

De garantie dekt defecten van het toestel die het gevolg zijn van materiaalfouten of onjuist uitgevoerd werk, mits het toestel zijn originele samenstelling heeft. De garantie betreft alleen defecten die blijken tijdens normaal gebruik overeenkomstig de meegeleverde gebruiksaanwijzing, mits de montage-, onderhouds- en gebruiksaanwijzingen van Tunturi zijn opgevolgd. Tunturi New Fitness BV en zijn wederverkopers zijn niet aansprakelijk voor defecten tengevolge van factoren waarop zij geen invloed kunnen uitoefenen. De garantie betreft alleen de eerste eigenaar van het toestel en is alleen geldig in landen waar een geautoriseerde importeur van Tunturi New Fitness BV is gevestigd. De garantie betreft geen trainingstoestellen of onderdelen die zijn gewijzigd zonder toestemming van Tunturi New Fitness BV. De garantie dekt geen defecten tengevolge van normale slijtage, onjuist gebruik, gebruik in omstandigheden waarvoor het toestel niet is bedoeld, corrosie of schade ontstaan tijdens laden of transport. De garantie geldt niet voor geluiden die ontstaan door het gebruik, als ze het gebruik van het apparaat niet wezenlijk belemmeren en niet veroorzaakt zijn door een defect aan het apparaat.

De garantie omvat ook geen onderhoudsmaatregelen, zoals reiniging, smering of normale inspectie van onderdelen, noch dergelijke montagewerkzaamheden die de klant zelf kan uitvoeren en die geen speciale demontage en montage van het toestel vereisen. Dit soort maatregelen zijn bijv. vervanging van monitoren, pedalen of andere vergelijkbare eenvoudige onderdelen. Garantieherstel dat is uitgevoerd door een ander dan de geautoriseerde Tunturi-vertegenwoordiger wordt niet vergoed. De garantie geldt alleen voor normaal, voorgeschreven gebruik van het product zoals beschreven in de handleiding.

Reiniging en onderhoud



WAARSCHUWING

- Verwijder voor reiniging of onderhoud de stekker uit het stopcontact.
 - Gebruik geen oplosmiddelen om het toestel te reinigen.
- Blokkeer de ventilatieopeningen niet. Houd de ventilatieopeningen vrij van stof, vuil en andere belemmeringen.
 - Reinig het toestel na elk gebruik met een zachte absorberende doek.
 - Reinig de zichtbare onderdelen van het toestel met een stofzuiger met een kleine zuigmond.
 - Controleer regelmatig of alle schroeven en moeren goed vast zitten.

Band en loopvlak

De loopband maakt gebruik van een zeer efficiënt loopvlak met lage wrijving. De prestaties worden gemaximaliseerd wanneer het loopvlak zo schoon mogelijk wordt gehouden. Gebruik een zachte, vochtige doek of keukenpapier om de rand van de band te reinigen en het gedeelte tussen de bandrand en het frame. Probeer ook zo ver mogelijk onder de bandrand te reinigen. Dit moet u eenmaal per maand doen om de levensduur van de band en het loopvlak te verlengen. Gebruik alleen water, geen reinigingsmiddel of

schurend middel. Gebruik een oplossing van milde zeep en water en een nylon borstel om de bovenkant van de band met structuur te reinigen. Laat de band drogen voordat u deze gebruikt.

Smeren (fig. F-4)

De loopmat moet eenmaal per 2 maanden worden gecontroleerd op smering, op basis van een gemiddeld gebruik van 60 minuten per dag.



WAARSCHUWING

- Verwijder voor het smeren de stekker uit het stopcontact.



VOORZICHTIG

- Smeer de loopmat alleen indien nodig. Als u te veel smeervet aanbrengt, zal de loopmat door te weinig wrijving snel gaan slippen.
- Neem een stevige positie op de loopmat aan.
 - Houd de voorhandgreep vast en duw de loopmat met uw voeten vooruit en achteruit. De loopmat moet soepel en gelijkmatig lopen zonder geluid te maken.
 - Als de loopmat niet soepel en gelijkmatig loopt of als de loopmat helemaal niet beweegt, raak dan met uw vingertoppen de onderkant van de loopmat aan om de smering te controleren:
 - Als u smeermiddel voelt of als uw vingertoppen glimmen, dan bevindt zich nog voldoende smering op de loopmat.
 - Als u geen smeervet voelt of als uw vingertoppen stoffig of ruw aanvoelen, breng dan smeermiddel (15-20 ml) aan in het midden van de loopmat onder de band zelf en laat het toestel minstens 5 minuten bij 5 km/h lopen.
 - Klap het toestel na smering niet in voordat het minstens 20 minuten gebruikt is voor een training met een snelheid van minstens 5 km/h. Het smeermiddel wordt gelijkmatig over de loopmat verdeeld.

Stof op band

Dit treedt op tijdens normaal eerst gebruik of totdat de band is gestabiliseerd. Verwijder het stof met een vochtige doek om ophoping van stof te minimaliseren.

Algemene reiniging

Vuil, stof en dierenharen kunnen luchtinlaten blokkeren en zich op de band ophopen. U moet maandelijks onder de loopband stofzuigen om ophoping te voorkomen. U moet tweemaal per jaar de zwarte motorkap verwijderen en eventueel opgehoopt vuil met de stofzuiger verwijderen.

HAAL EERST DE STEKKER UIT HET STOPCONTACT VOORDAT U DIT DOET.

Bandafstellingen

U moet afstellingen doorvoeren bij de achterste roller. De afstelbouten bevinden zich aan het einde van de staprails in de eindkapes,

- Draai de achterste rollerbouten net genoeg aan (rechtsom) om verschuiving bij de voorste roller te voorkomen. Draai beide afstelbouten voor de bandspanning aan in stappen van 1/4 slag en controleer op juiste spanning door op de band te lopen met lage snelheid. Zorg dat de band niet verschuift. Blijf de bouten aandraaien totdat de band niet meer verschuift.
- Als u van mening bent dat de bandspanning goed is maar de band nog steeds verschuift, wordt het probleem mogelijk veroorzaakt door een losse motoraandrijfriem onder de voorkap.
- Niet te strak aandraaien Als u de bouten te strak aandraait, raakt de band beschadigt en zullen de lagers vroegtijdig slijten.

Bandloop afstellen:

De prestaties van het apparaat zijn afhankelijk van het feit of het frame op een redelijk vlak oppervlak staat. Als het frame niet waterpas staat, kunnen de voor- en achterrollers niet parallel draaien, waardoor de band constant opnieuw moet worden afgesteld.

Het apparaat is zo ontworpen dat de band tijdens gebruik zoveel mogelijk in het midden blijft. Het is bij sommige banden normaal dat

deze naar de zijkant bewegen terwijl de band loopt zonder dat er iemand op staat. Na enkele minuten van gebruik zal de band de neiging hebben zich te centreren. Als tijdens gebruik de band nog steeds naar de zijkant beweegt, is afstelling noodzakelijk.

UITZONDERING:

tijdens revalidatie, waarbij het ene been van de gebruiker sterker is dan het andere, kan het voorkomen dat de band naar de zijkant beweegt. In dat geval moet u de bandloop niet opnieuw afstellen, tenzij de band zich bij normaal gebruik niet centreert.

Bandloop instellen:(fig. F-5)

Het apparaat wordt geleverd met een inbussleutel om de achterste roller af te stellen. Voer afstellingen uitsluitend aan vanaf de linkerkant. Stel de bandsnelheid in op circa 3 tot 5 km/u.

Houd er rekening mee dat een kleine verandering een groot verschil kan maken!

Draai de bout rechtsom om de band naar rechts te verplaatsen; draai de bout linksom om de band naar links te verplaatsen. Draai de bout slechts 1/4 slag en wacht enkele minuten terwijl de band zichzelf afstelt. Blijf de bout draaien in stappen van 1/4 slag totdat de band zich stabiliseert in het midden van het loopvlak.

De bandloop moet mogelijk periodiek opnieuw worden afgesteld, afhankelijk van gebruik en loop-/renkarakteristieken. Sommige gebruikers zullen een ander effect hebben op de bandloop. Ga ervan uit dat u afstellingen zult moeten doorvoeren om de band te centreren. Afstellingen zullen steeds minder een onderhoudsprobleem worden naarmate de band meer wordt gebruikt. Juiste bandloop is de verantwoordelijkheid van de eigenaar en is van toepassing op alle loopbanden.



LET OP

- Schade aan de band als gevolg van onjuiste afstelling van bandloop/ bandspanning valt niet onder de garantie.

Gebruiksstoringsen

Ondanks voortdurende kwaliteitscontroles, kunnen er defecten of storingsen optreden die het gevolg zijn van het niet goed functioneren van onderdelen die in de looptrainer zijn gebruikt. In de meeste gevallen is het onnodig om het gehele apparaat ter reparatie aan te bieden, aangezien de storing meestal kan worden opgelost door het vervangen van het defecte onderdeel.

Mochten er storingsen optreden bij het gebruik van de trainer, neem dan onmiddellijk contact op met uw Tunturi dealer. Vermeldt daarbij altijd het model en het serienummer van uw Tunturi trainer, de eventuele storingscode en door wie de trainer is geïnstalleerd.

Vermeldt bij het bestellen van onderdelen het model, het serienummer van het apparaat en het nummer van het onderdeel. Op de laatste pagina's van deze gids vindt u de onderdelenlijst.

Foutcodes

Als de display een foutcode toont (aangegeven met "E"/ "DC" + nummer), start dan het toestel opnieuw op en controleer of de foutcode nog steeds op de display verschijnt. Als de display nog steeds de foutcode toont, neem dan onmiddellijk contact op met de dealer.

Transport en opslag



WAARSCHUWING

- Verwijder voor reiniging of onderhoud de stekker uit het stopcontact.
- Draag en verplaats het toestel met minstens twee personen.
- Zorg ervoor dat zich geen andere personen of voorwerpen onder het toestel bevinden.
- Zorg er bij het inklappen van het toestel voor dat u hoort dat het toestel op zijn plaats vergrendelt ter voorkoming dat het toestel omlaag komt.



VOORZICHTIG

- Zorg er voor het inklappen van het toestel voor dat de helling van het toestel 0% is. Als de helling niet 0% is, wordt het mechanisme door het inklappen beschadigd.
- Verplaats het toestel zoals afgebeeld (fig. F3). Verplaats het toestel en zet het voorzichtig neer. Zorg voor een beschermende laag onder het toestel om schade aan het vloeroppervlak te voorkomen. Verplaats het toestel voorzichtig over een ongelijke ondergrond. Breng het toestel niet met behulp van de wielen naar boven, maar draag het toestel bij de handgrepen.
- Berg het toestel in staande positie op (fig. F1). Berg het toestel op een droge plaats op met zo weinig mogelijk temperatuurwisselingen.

Aanvullende informatie

Afvoeren van verpakkingsmateriaal

Overheids-richtlijnen geven aan dat we de hoeveelheid afvalmateriaal afgevoerd naar stortplaatsen moeten verminderen. Daarom vragen we u al het afvalmateriaal op verantwoordelijke wijze af te voeren naar openbare recycling-centra.

Verrwijdering aan het eind van de levensduur.

We hopen dat u jarenlang plezier hebt van uw fitnessapparaat. Er komt echter een moment waarop het fitnessapparaat het eind van de bruikbare levensduur heeft bereikt. Onder de Europese AEEA-wetgeving bent u verantwoordelijk voor het op de juiste wijze afvoeren van uw fitnessapparaat naar een erkend openbaar inzamelpunt.

Verklaring van de fabrikant

Tunturi New Fitness BV verklaart dat het product voldoet aan de volgende normen en richtlijnen: EN 957 (HA), 89/336/EEG. Het product is derhalve voorzien van het CE-label.

01-2017

Tunturi New Fitness BV
Purmerweg 1
1311 XE Almere
The Netherlands

Disclaimer

© 2017 Tunturi New Fitness BV
Alle rechten voorbehouden.

Het product en de handleiding zijn aan veranderingen onderhevig. Specificaties kunnen zonder verdere kennisgeving worden veranderd.

Italiano

Questo manuale in lingua italiana è una traduzione dalla versione originale del manuale in lingua inglese.

Non si possono trarre diritti di traduzione dalla presente traduzione.

Indice

Tapis roulant	65
Precauzioni di sicurezza	65
Sicurezza elettrica	66
Descrizione (fig. A)	67
Contenuto dell'imballaggio (fig. B & C)	67
Assemblaggio (fig. D)	67
Allenamenti	68
Istruzioni per l'esercizio	68
Misurazione delle pulsazioni (sensori del cardiofrequenzimetro)	69
Utilizzo	69
Console (fig. E-1)	70
Pulsanti	70
Explanation of display items (Fig. H)	71
Programmi	72
Avvio rapido	72
Modalità manuale	72
Termina il tuo esercizio	72
Garanzia dell'attrezzo sportivo Tunturi	73
Pulizia e manutenzione	74
Tapis roulant e tappeto	74
Lubrificazione (fig. J)	74
Disturbi durante l'uso	76
Trasporto e stoccaggio	76
Informazioni aggiuntive	77
Dichiarazione del fabbricante	77
Clausola di esonero della responsabilità	77

Tapis roulant

Benvenuti nel mondo di Tunturi Fitness! Grazie per aver acquistato questo apparecchio Tunturi. Tunturi offre un'ampia gamma di apparecchi per fitness professionale, fra cui crosstrainer, tapis roulant, cyclette, e vogatori e. Questo apparecchio Tunturi è adatto per tutta la famiglia, a prescindere dal livello di forma fisica. Per ulteriori informazioni, visitare il sito Web www.tunturi.com

Importanti istruzioni di sicurezza

Questo libretto di istruzioni è una parte essenziale della tua attrezzatura da ginnastica. Leggi con attenzione quanto scritto in questa guida, prima del montaggio dei pezzi e prima di fare uso dell'attrezzo o di effettuarne qualunque manutenzione. Ti raccomandiamo pure di conservare la presente guida in un luogo sicuro e a portata di mano; essa ti fornirà, adesso e nel futuro, tutte le istruzioni necessarie all'uso e alla manutenzione della tua attrezzatura da ginnastica. Tali istruzioni devi seguirle sempre con molta attenzione!

Precauzioni di sicurezza



ATTENZIONE

- Leggere le precauzioni di sicurezza e le istruzioni. La mancata osservanza delle precauzioni di sicurezza e delle istruzioni può causare lesioni personali o danni all'apparecchio. Conservare gli avvisi di sicurezza e le istruzioni per future consultazioni.



ATTENZIONE

- Il sistema di monitoraggio della frequenza cardiaca può essere impreciso. L'eccessivo esercizio può causare serie lesioni o perfino il decesso. Se si avverte spossatezza, interrompere immediatamente l'allenamento.

- L'apparecchio è adatto esclusivamente per un uso domestico e professionale (ad es.

- ospedali, stazioni di pompieri, hotel, scuole, ecc.). L'utilizzo massimo è limitato a 6 ore al giorno. L'apparecchio non è adatto per scopi completamente commerciali (ad es. grandi palestre).
- L'uso di questo apparecchio da parte di bambini o persone con handicap fisici, sensoriali, mentali o motori o privi di esperienza e di competenze può causare pericoli. Le persone responsabili per la loro sicurezza devono fornire esplicite istruzioni o supervisionare l'uso dell'apparecchio.
 - Prima di iniziare l'allenamento, consultare un medico per verificare il proprio stato di salute.
 - Se si avvertono nausea, vertigini o altri sintomi anomali, interrompere immediatamente l'allenamento e consultare un medico.
 - Per evitare dolori muscolari e sforzi, iniziare ogni allenamento con una fase di riscaldamento e terminare ogni allenamento con una fase di defaticamento. Ricordarsi di eseguire lo stretching al termine dell'allenamento.
 - L'apparecchio è adatto esclusivamente per un uso in interni. L'apparecchio non è idoneo per un uso all'aperto.
 - Utilizzare l'apparecchio in un ambiente con ventilazione adeguata. Non utilizzare in ambienti esposti alle correnti d'aria per non prendere un raffreddore.
 - Utilizzare l'apparecchio esclusivamente in ambienti con temperature comprese fra 10 °C e 35 °C. Conservare l'apparecchio esclusivamente in ambienti con temperature comprese fra 5 °C e 45 °C.
 - Non utilizzare o riporre l'apparecchio in ambienti umidi. L'umidità dell'aria non deve mai superare l'80%.
 - Utilizzare l'apparecchio solo per lo scopo previsto. Non utilizzare l'apparecchio per scopi diversi da quelli descritti nel manuale.
 - Non usare l'apparecchio se presenta parti danneggiate o difettose. In caso di parti danneggiate o difettose contattare il rivenditore.
 - Mantenere mani, piedi e le altre parti del corpo lontani dalle parti in movimento.
 - Tenere i capelli lontani dalle parti in movimento.
 - Indossare indumenti e scarpe adatti.

- Mantenere abiti, gioielli e altri oggetti lontani dalle parti in movimento.
- Controllare che l'apparecchio venga utilizzato da una sola persona alla volta. L'apparecchio non deve essere utilizzato da persone di peso superiore a 135 kg (300 lbs).
- Non smontare l'apparecchio senza aver consultato il rivenditore..

Sicurezza elettrica

(valido solo per apparecchi elettrici)

- Prima dell'uso, verificare sempre che la tensione della rete elettrica corrisponda alla tensione riportata sulla targhetta nominale dell'apparecchio.
- Non utilizzare cavi di prolunga.
- Tenere il cavo di alimentazione lontano da fonti di calore, olio e bordi affilati.
- Non alterare o modificare il cavo o la spina di alimentazione.
- Non utilizzare l'apparecchio se il cavo o la spina di alimentazione sono danneggiati o difettosi. Se il cavo o la spina di alimentazione risultano danneggiati o difettosi, contattare il rivenditore.
- Svolgere sempre completamente il cavo di alimentazione
- Non far passare il cavo di alimentazione sotto l'apparecchio. Non far passare il cavo di alimentazione sotto un tappeto. Non collocare alcun oggetto sul cavo di alimentazione.
- Verificare che il cavo di alimentazione non sporga sul bordo di un tavolo. Verificare che il cavo di alimentazione non possa rimanere accidentalmente impigliato o causare inciampanti.
- Non lasciare l'apparecchio incustodito quando la spina di alimentazione è collegata alla presa a muro.
- Non tirare il cavo di alimentazione per rimuovere la spina dalla presa a muro.
- Scollegare la spina di alimentazione dalla presa a muro quando l'apparecchio non è in uso, prima di assemblare o di smontare l'apparecchio o di qualsiasi intervento di pulizia o manutenzione.

ATTENZIONE

- Se il voltaggio varia del dieci per cento (10%) o più, le prestazioni del vostro tapis roulant potrebbero essere influenzate. Tali condizioni non sono coperte dalla vostra garanzia. Se sospettate che il voltaggio sia basso, contattate la vostra azienda elettrica locale o un elettricista qualificato per fare dei test appropriati.

ATTENZIONE

- Non usare MAI una presa di corrente RCD (Residual Current Device) [dispositivo a corrente residua] (versione US = GFCI) con questo tapis roulant. Come con qualsiasi apparecchio con un grande motore, il dispositivo RCD/GFCI salterà spesso. Non far passare il cavo di alimentazioni vicino a parti in movimento del tapis roulant, incluso il meccanismo di sollevamento e le ruote di trasporto.

Istruzioni per la messa a terra

Questo prodotto va messo a terra. Se il sistema elettrico del tapis roulant non funziona bene o rompersi, la messa a terra fornisce un percorso di resistenza inferiore per la corrente elettrica, riducendo il rischio di scossa elettrica. Questo prodotto è dotato di un cavo che una spina di messa a terra. La spina deve essere inserita in una presa idonea che sia stata installata correttamente e che sia messa a terra secondo le procedure e le ordinanze locali.

AVVERTIMENTO

Un collegamento scorretto del conduttore di messa a terra dell'apparecchio può comportare un rischio di scossa elettrica. In caso di dubbi sulla corretta messa a terra di questo prodotto, consultare un elettricista o addetto all'assistenza qualificato. Non modificare la spina fornita con il prodotto se non dovesse entrare nella presa di corrente; farsi installare una presa di corrente idonea da un elettricista qualificato.

Descrizione (fig. A)

Il tapis roulant è un apparecchio fisso per il fitness utilizzato per simulare la camminata o la corsa senza causare eccessiva pressione sulle articolazioni.

Contenuto dell'imballaggio (fig. B & C)

- L'imballaggio contiene i componenti illustrati nella fig. B.
- L'imballaggio contiene gli elementi di fissaggio illustrati nella fig. C. Consultare la sezione "Descrizione".



NOTA

- Se una parte manca, contattare il rivenditore.

Assemblaggio (fig. D)



ATTENZIONE

- Assemblare l'apparecchio nell'ordine indicato.
- Per trasportare e spostare l'apparecchio sono necessarie almeno due persone.



AVVISO

- Collocare l'apparecchio su una superficie stabile e in piano.
 - Collocare l'apparecchio su una base protettiva per evitare danni alla superficie del pavimento.
 - Mantenere uno spazio libero di almeno 1 m intorno all'apparecchio.
- Consultare le illustrazioni per il corretto assemblaggio dell'apparecchio.

Allenamenti

L'allenamento deve essere adeguatamente leggero ma di lunga durata. L'esercizio aerobico si basa sul miglioramento del consumo massimo di ossigeno del corpo che a sua volta migliora resistenza e forma fisica. Durante l'allenamento è necessario sudare ma non arrivare all'affanno. Per raggiungere e mantenere una forma fisica di base, allenarsi almeno tre volte alla settimana, per 30 minuti alla volta. Aumentare il numero di sessioni di esercizio per migliorare il livello di forma fisica. È importante combinare l'esercizio regolare con una dieta salutare. Una persona impegnata a seguire una dieta dovrà allenarsi quotidianamente, iniziando con 30 minuti o meno e aumentando gradualmente l'allenamento giornaliero fino ad un'ora. Iniziare l'allenamento a bassa velocità e con scarsa resistenza per evitare di sottoporre a uno stress eccessivo il sistema cardiovascolare. Man mano che il livello di forma fisica aumenta, è possibile aumentare gradualmente anche velocità e resistenza. L'efficienza dell'allenamento può essere misurata monitorando la frequenza cardiaca e le pulsazioni.

Istruzioni per l'esercizio

L'utilizzo del vostro fitness trainer vi darà diversi benefici, migliorerà la vostra forma fisica, tono muscolare e, insieme a una dieta con le calorie sotto controllo, vi aiuterà a perdere peso.

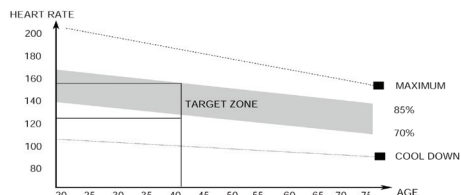
La fase di riscaldamento

Questa fase aiuta a far scorrere il sangue nel corpo e a far funzionare correttamente i muscoli. Ridurrà anche il rischio di crampi e di lesioni muscolari. Si consiglia di fare qualche esercizio di stretching come mostrato qui di seguito. Ogni esercizio di stretching andrebbe mantenuto per circa 30 secondi, non forzare o strappare i muscoli durante l'esercizio, se si sente un dolore FERMARSI SUBITO

La fase dell'esercizio

Questa è la fase dove fate il vostro sforzo. Dopo un uso regolare, i muscoli delle vostre

gambe diventeranno più flessibili. Lavorare nell'ottica del vostro obiettivo è molto importante per mantenere un ritmo costante durante l'esercizio. La velocità del vostro lavoro dovrebbe essere sufficiente per aumentare il vostro battito cardiaco nella zona target mostrata sul grafico qui sotto.



Questa fase dovrebbe durare almeno 12 minuti anche se la maggior parte delle persone inizia a circa 15-20 minuti

La fase di defaticamento

Questa fase consente al vostro sistema cardiovascolare e ai vostri muscoli di rilassarsi. Questa è una ripetizione dell'esercizio di riscaldamento, cioè riduce il vostro ritmo, e continua per circa 5 minuti. Gli esercizi di stretching adesso andrebbero ripetuti, ricordandosi sempre di non forzare o strappare i vostri muscoli nello stretching.

A mano a mano che sarete più in forma, potrete aver bisogno di allenarvi di più e più a lungo. Si consiglia di allenarsi almeno tre volte alla settimana, e se possibile, spalmare gli esercizi in

Tono muscolare

Per tonificare i muscoli mentre siete sul vostro fitness trainer dovrete impostare la resistenza abbastanza alta. Questo sforzerà di più i muscoli delle vostre gambe e potrebbe voler dire che non potrete allenarvi per il tempo che avreste desiderato. Se anche voi state cercando di migliorare la vostra forma dovrete modificare il vostro programma di allenamento. Dovreste allenarvi normalmente durante le fasi di riscaldamento e di defaticamento, ma verso la fine della fase dell'esercizio dovrete aumentare la resistenza, per fare lavorare di più le vostre gambe. Dovrete ridurre la vostra velocità per mantenere la vostra frequenza cardiaca nella zona target.

Perdere peso

Qui il fattore importante è la quantità di sforzo che mettete. Più forte e a lungo lavorate e più calorie brucerete. In effetti è uguale a come se stesse allenandovi per migliorare la vostra forma, la differenza è l'obiettivo.

Misurazione delle pulsazioni (sensori del cardiofrequenzi- metro)

Le pulsazioni vengono misurate da sensori posti sulle impugnature quando l'utente tocca entrambi i sensori contemporaneamente. Un'accurata misurazione delle pulsazioni richiede che la pelle sia leggermente umida e costantemente a contatto con i sensori del cardiofrequenzimetro. Se la pelle è troppo asciutta o troppo bagnata, la misurazione delle pulsazioni diventa meno accurata.

NOTA

- Non utilizzare i sensori del cardiofrequenzimetro in combinazione con una fascia toracica per la misurazione della frequenza cardiaca.
- Impostando un limite per la frequenza cardiaca, viene generato un allarme acustico al superamento di tale limite.

Misurazione delle pulsazioni (sensori del cardiofrequenzimetro)

Le pulsazioni vengono misurate da sensori posti sulle impugnature quando l'utente tocca entrambi i sensori contemporaneamente. Un'accurata misurazione delle pulsazioni richiede che la pelle sia leggermente umida e costantemente a contatto con i sensori del cardiofrequenzimetro. Se la pelle è troppo asciutta o troppo bagnata, la misurazione delle pulsazioni diventa meno accurata.

NOTA

- Non utilizzare i sensori del cardiofrequenzimetro in combinazione con una fascia toracica per la misurazione della frequenza cardiaca.
- Impostando un limite per la frequenza

cardiaca, viene generato un allarme acustico al superamento di tale limite.

Massima frequenza cardiaca (durante l'allenamento)

La massima frequenza cardiaca è la frequenza cardiaca più elevata che una persona può raggiungere in sicurezza durante lo stress dell'allenamento. Per calcolare la massima frequenza cardiaca media, viene utilizzata la seguente formula: $220 - \text{ETÀ}$. La massima frequenza cardiaca varia da persona a persona..



ATTENZIONE

- Porre attenzione a non superare la massima frequenza cardiaca durante l'allenamento. In caso di appartenenza ad un gruppo a rischio, consultare un medico.

Principianti 50-60% della massima frequenza cardiaca

Adatta per persone in fase di dieta dimagrante, principianti, convalescenti e per chi non fa esercizio da molto tempo. Allenarsi almeno tre volte alla settimana, per 30 minuti alla volta.

Livello avanzato 60-70% della massima frequenza cardiaca

Adatta per coloro che desiderano migliorare e mantenere la forma fisica. Allenarsi almeno tre volte alla settimana, per 30 minuti alla volta..

Esperti 70-80% della massima frequenza cardiaca

Adatta per le persone in perfetta forma fisica abituate ad allenamenti che richiedono molta resistenza.

Utilizzo

Interruttore di alimentazione principale (fig. E-2A)

L'apparecchio è dotato di un interruttore di alimentazione principale per spegnere completamente l'apparecchio.

Per avviare l'apparecchio:

- Inserire la spina elettrica nell'apparecchio.
- Inserire la spina elettrica nella presa di corrente.

- Mettere l'interruttore principale in posizione on.

Per spegnere l'apparecchio:

- Mettere l'interruttore di alimentazione su off.
- Togliere la spina elettrica dalla presa elettrica.
- Togliere la spina elettrica dall'apparecchio.

Chiave di sicurezza (Fig F-4)

L'apparecchio è dotato di una chiave di sicurezza che deve essere inserita correttamente nella console per avviare l'apparecchio. Se togliete la chiave di sicurezza dalla console, l'apparecchio si fermerà immediatamente.

- Inserire la chiave di sicurezza nella feritoia nella console.
- Accertarsi che la clip della chiave di sicurezza sia attaccata correttamente al vostro indumento.

Accertarsi che la clip non venga rimossa dal vostro indumento prima che la chiave di sicurezza venga rimossa dalla console.

Interruttore automatico (Fig. E-2B)

L'apparecchio è dotato di un interruttore automatico che interrompe il circuito quando il carico di elettricità supera la capacità massima. Se ciò si verifica, si deve premere l'interruttore automatico.

AVVERTIMENTO

- Prima di premere l'interruttore automatico, togliere la spina elettrica dall'apparecchio.

Se l'apparecchio si spegne, procedere nel seguente modo per riavviare l'apparecchio:

- Togliere la spina elettrica dall'apparecchio.
- Premere l'interruttore automatico per avviare l'apparecchio.
- Inserire la spina elettrica nell'apparecchio.

NOTA

- Alcuni interruttori automatici usati nelle case non sono idonei per i picchi di corrente che si possono verificare quando un tapis roulant viene acceso o anche durante l'uso normale. Se il vostro tapis roulant fa scattare l'interruttore automatico (anche se ha l'ampereaggio corretto e il tapis roulant è il solo apparecchio sul circuito) ma l'interruttore

sul tapis roulant stesso non scatta, dovrete sostituire l'interruttore con un tipo adatto alle correnti di picco più elevate. Questo non è un difetto coperto dalla garanzia. Si tratta di una condizione che noi, in quanto produttori, non siamo in grado di controllare.

Aprire e ripiegare l'apparecchio (fig. F1-F2)

L'apparecchio può essere aperto per l'uso (fig. G1) e ripiegato per il trasporto e l'immagazzinaggio (fig. G2).

Fare riferimento alle illustrazioni per un modo corretto di aprire e ripiegare l'apparecchio.

ATTENZIONE

- Prima di richiudere l'apparecchio, accertarsi che l'inclinazione sia dello 0%. Se l'inclinazione non è allo 0%, l'azione di chiusura danneggerà il meccanismo.

Console (fig. E-1)

AVVISO

- Non esporre la console alla luce solare diretta.
- Asciugare la superficie della console se è coperta da gocce di sudore.
- Non appoggiarsi sulla console.
- Toccare il display solo con la punta delle dita. Non toccare il display con le unghie o con oggetti appuntiti.

NOTA

- La console passa in modalità standby quando l'apparecchio non viene utilizzato per 4 minuti.

Pulsanti

Stop

- Avviamento o Interruzione (pausa) dell'esercizio.
- Premendo velocemente il tasto "STOP" per 2 volte, il tapis roulant verrà messo in arresto di emergenza.

Speed + (lepre)

- Aumenta la velocità (1.0 - 16 Km/h).
- Premendo una volta si aumenta la velocità di 0,1 km/h.
- Tenendo premuto per due secondi si aumenterà la velocità più rapidamente.
- Scorrere i programmi e cambiare i valori nella modalità di programmazione.

Speed - (tartaruga)

- Diminuisce la velocità (1.0 - 16 Km/h).
- Premendo una volta si diminuisce la velocità di 0,1 km/h.
- Tenendo premuto per due secondi si diminuirà la velocità più rapidamente.
- Scorrere i programmi e cambiare i valori nella modalità di programmazione.

Incline + (inclinazione)

- Aumenta l'inclinazione (0%~10% ±1%)..

Incline -: (inclinazione)

- Diminuisce l'inclinazione (0%~10% ±1%)..

Mode

- Seleziona la modalità di programmazione
- Confermare l'impostazione per accedere al passaggio successivo in modalità di programmazione.
- In modalità di esercizio, cambiare il parametro per la finestra Step/ Distance & Pulse/ Calories.

Start (Avvio)

- Avvia l'esercizio selezionato

Tasti per cambio rapido di velocità.

Tasti Speed Hot (Cambio rapido di velocità) sono impostati a: 2, 6, 8, 10, 12, & 16 km/h. Per esempio, la velocità cambia da una velocità qualsiasi a 8 km/h se si preme il tasto Speed Hot 8.

Tasti per cambio rapido di inclinazione.

Tasti Incline Hot (Cambio rapido di inclinazione) sono impostati a: 2, 6, 8, 10 & 12 %. Per esempio, il livello di inclinazione cambia da qualsiasi livello al 6 % se si preme il tasto Incline Hot 6.

Tasti per accesso rapido velocità

- + : Come Speed + (Velocità +).
- - : Come Speed - (Velocità -).

Tasti per accesso rapido inclinazione

- + : Come Incline + (Inclinazione +).
- - : Come Speed - (Velocità -).

Explanation of display items**(Fig. H)****Speed [Velocità]**

- Mostra la velocità effettiva del tapis roulant in modalità di esercizio.
- Mostra la velocità target in modalità di programmazione..

Incline [inclinazione]

- Mostra l'inclinazione effettiva del tapis roulant in modalità di esercizio.
- Mostra l'inclinazione target in modalità di programmazione.

Distance [distanza]

- Mostra la distanza percorsa in modalità di esercizio.
- Mostra la distanza target in modalità di programmazione.
- Mostra la selezione del programma in modalità di programmazione.

Time [tempo]

- Mostra il tempo di corsa in modalità di esercizio.
- Mostra la distanza target in modalità di programmazione.

Pulse [pulsazione]

- Mostra la frequenza delle pulsazioni in modalità di esercizio, o "P" quando non viene misurata nessuna pulsazione.

Calories [calorie]

- Mostra le calorie consumate in modalità di esercizio.

i NOTA

- Questo dato è una guida approssimativa per confrontare le differenti sedute di esercizi che non può essere usato in un trattamento medico

i NOTA

- Scansioni del display "Step/ Distance" & "Pulse/ Calories" ogni 5 secondi.
- Utilizzare il pulsante "MODE" per congelare il display, o avviare nuovamente la scansione quando si è in modalità congelamento..

Programmi

Avvio rapido

- Premere il tasto "START" per iniziare l'esercizio senza nessuna impostazione predefinita.
- Il tapis roulant si avvierà alla velocità minima di 1,0 km/h e manterrà l'impostazione di inclinazione attualmente configurata.
- Regolare manualmente VELOCITA' / PENDENZA in qualsiasi momento per cambiare l'esercizio, e stop / pausa in qualsiasi momento.

Modalità manuale

- Premere il pulsante "MODE" per aprire la modalità di programmazione.
- Premere i pulsanti "PROG" per selezionare il programma "P0", premere il pulsante "MODE" per confermare
- Premere i pulsanti "SPEED +/-" per impostare il tempo di allenamento desiderato. Il tempo di allenamento predefinito è impostato su 30:00 minuti. Intervallo 10:00~99:00 min.

i NOTA

- Se impostato su 00:00 minuti, l'allenamento non si fermerà, a meno che non venga fermato manualmente.
- Premere il pulsante "START" per iniziare il proprio esercizio.

Termina il tuo esercizio

- Mettere in pausa in qualsiasi momento premendo una volta il pulsante "STOP". Il display mostrerà una "PAUS" quando ci si trova in modalità di pausa.
- Premere il pulsante "START" per riprendere l'allenamento dalla modalità "PAUSA".
- Tenere premuto il pulsante "STOP" per fermare l'esercizio e azzerare la console.

Programmi preimpostati (P1~P36)

L'attrezzo ha 36 programmi preimpostati con differenti profili. (Fig G)

- Premere il pulsante "MODE" per aprire la modalità di programmazione.
- Premere i pulsanti "PROG" per selezionare il programma "P1~P36", premere il pulsante "MODE" per confermare.
- Premere i pulsanti "SPEED +/-" per impostare il tempo di allenamento desiderato. Il tempo di allenamento predefinito è impostato su 30:00 minuti. Intervallo 10:00~99:00 min.

i NOTA

- Se impostato su 00:00 minuti, l'allenamento non si fermerà, a meno che non venga fermato manualmente.
- Premere il pulsante "START" per iniziare il proprio esercizio.

Programmi utente (U01~U03)

L'attrezzo ha 2 programmi utente.

Ogni programma utente può essere regolato secondo i propri fabbisogni personali.

Ogni programma utente ha un massimo di 12 passaggi.

È possibile impostare velocità e inclinazione per ogni passaggio.

Ogni passaggio richiede 1/12 del tempo totale a disposizione.

- Premere il pulsante "MODE" per aprire la modalità di programmazione.
- Premere i pulsanti "PROG" per selezionare il programma "U01~U03", premere il pulsante "MODE" per confermare.
- Premere i pulsanti "SPEED +/-" per impostare il tempo di allenamento desiderato. Il tempo di allenamento predefinito è impostato su 30:00 minuti. Intervallo 10:00~99:00 min. Il display "Distance" visualizza "01".
- Premere i pulsanti "SPEED +/-" [velocità] per impostare la velocità. Premere i pulsanti "INCLINE +/-" [inclinazione] per impostare l'inclinazione. Premere il pulsante "MODE" per confermare. Il display "Distance" visualizza "02".
- Ripetere l'azione qui sopra per configurare gli altri passaggi.
- Premere il pulsante "START" per iniziare il programma

Grasso corporeo

Il programma Grasso corporeo è un programma che indica il vostro stato fisico, sulla base dei vostri parametri corporei e di frequenza cardiaca.

- Premere il pulsante "MODE" per aprire la modalità di programmazione.
- Premere i pulsanti "PROG" per selezionare il programma "FAT", premere il pulsante "MODE" per confermare.
- Il display "Distance" visualizza "F1" (Genere) .
Il display "Calories" visualizza "1"
a fare la scelta premere il tasto "SPEED +/-": 1: uomo/ 2: donna premere il pulsante "MODE" per confermare.
- Il display "Distance" visualizza "F2" (Età) .
Il display "Calories" visualizza "25"
a fare la scelta premere il tasto "SPEED +/-": 10~99 premere il pulsante "MODE" per confermare.
- Il display "Distance" visualizza "F3" (altezza) .
Il display "Calories" visualizza "170" cm
a fare la scelta premere il tasto "SPEED +/-": 100~220" cm
premere il pulsante "MODE" per confermare.
- Il display "Distance" visualizza "F4" (peso) .

- Il display "Calories" visualizza "70" kg
a fare la scelta premere il tasto "SPEED +/-": 20~150" kg
premere il pulsante "MODE" per confermare.
- Il display "Distance" visualizza "F5" (attivo) .
Il display "Calories" visualizza " - - - - "
(misurare)



ATTENZIONE

- Tenere le impugnature di contatto con piastre di misurazione della frequenza cardiaca è richiesto per questa funzione.

Calcolo del risultato

- FAT 0 ~17 Sottopeso
- FAT 18 ~ 27 Normale
- FAT 28 ~ up Sovrappeso
- BF = Grasso corporeo (in rapporto %)
- Il codice di errore "ER" verrà visualizzato se non è stata rilevata nessuna frequenza cardiaca durante il processo di misurazione BF.
- Premere il pulsante "MODE" per uscire dal programma Grasso corporeo.

Garanzia dell'attrezzo sportivo Tunturi

Condizioni di garanzia

Il consumatore è tutelato da tutti i diritti previsti dalla legislazione nazionale e riguardanti l'acquisto di beni di consumo. Questi diritti fondamentali non sono limitati dalle condizioni di garanzia. La garanzia entra in vigore solo se l'attrezzo in questione prodotto dall'azienda Tunturi Ltd. viene utilizzato in linea con le condizioni ambientali d'uso specificate dal fabbricante. Le condizioni ambientali d'uso degli attrezzi son

Condizioni per la garanzia

La garanzia entra in vigore dalla data dell'acquisto dell'attrezzo. Le condizioni per la garanzia possono variare in funzione del paese. Rivolgersi al rivenditore di zona per maggiori informazioni sulle condizioni per la garanzia.

Copertura della garanzia

L'azienda Tunturi Ltd ed i suoi rappresentanti non rispondono per nessun motivo dei danni indiretti causati all'acquirente dall'attrezzo. Per danni indiretti s'intendono quelli relativi al mandato sfruttamento dell'attrezzo, mancato guadagno o altri danni di natura economica.

Limiti di garanzia

La garanzia copre i difetti di materiale e fabbrica dell'attrezzo che si manifestano subito dopo l'acquisto. La garanzia copre solo i difetti che si manifestano durante l'uso normale e conforme alle istruzioni del manuale di installazione, manutenzione ed uso fornito da Tunturi. L'azienda Tunturi Ltd ed i suoi rivenditori non rispondono dei danni causati da eventi al di fuori del loro controllo. La garanzia riguarda solo il proprietario originario dell'attrezzo ed è in vigore solo in quei paesi in cui Tunturi Ltd dispone di un proprio rappresentante autorizzato.

La garanzia non copre i difetti di quegli attrezzi o componenti che sono stati modificati senza l'espressa autorizzazione del fabbricante Tunturi Ltd. La garanzia non copre i difetti causati dalla normale usura, da un uso in condizioni non previste, dalla corrosione, dalla movimentazione e dal trasporto.

La garanzia non copre rumori o suoni emessi durante l'uso a meno che non impediscano l'uso dell'attrezzo e che non siano causati da un guasto all'attrezzo stesso.

La garanzia non comprende nemmeno i normali interventi di servizio dell'attrezzo, come per esempio la pulizia, lubrificazione, controllo periodico dei componenti né le piccole installazioni che può effettuare il cliente stesso e che non richiedono lo smontaggio/montaggio dell'attrezzo. Questi interventi sono, per esempio, la sostituzione del pannello, dei pedali o di altri componenti analoghi. La garanzia non copre gli interventi di riparazione previsti, se non vengono eseguiti da un rappresentante autorizzato Tunturi. Se sbagliate a seguire le istruzioni del manuale d'uso, decade subito la garanzia sul prodotto.

Pulizia e manutenzione



AVVERTIMENTO

- Prima di fare eventuali interventi di pulizia e manutenzione, togliere la spina elettrica dalla presa di corrente.
 - Non usare solventi per pulire l'apparecchio.
- Non bloccare le aperture di ventilazione. Tenere le aperture di ventilazione pulite da polvere, sporcizia e altre ostruzioni.
- Pulire l'apparecchio con un panno morbido e assorbente dopo ogni utilizzo.
- Pulire la parti visibili dell'apparecchio con un aspirapolvere con un ugello di aspirazione di piccole dimensioni
- Controllare regolarmente che tutte le viti e i dadi siano stretti.

Tapis roulant e tappeto

Il vostro tapis roulant utilizza un piano molto efficiente a bassa frizione. Le prestazioni sono massimizzate quando il tapis roulant viene mantenuto il più pulito possibile. Usare un panno umido e morbido o dello scottex per pulire il bordo del nastro e la zona fra il bordo del nastro e il telaio. Cercare di raggiungere anche la zona sotto al bordo del nastro. Questo andrebbe fatto una volta al mese per prolungare la vita del nastro e del tapis roulant. Usare solo acqua, senza detersivi o abrasivi. Una soluzione di acqua e sapone delicato insieme a una spazzola in nylon pulirà la parte superiore del nastro a trama. Fare asciugare il nastro prima di usarlo..

Lubrificazione (fig. J)

La lubrificazione del tapis roulant deve essere controllata ogni 2 mesi, sulla base di un utilizzo medio di 60 minuti al giorno.



AVVERTIMENTO

- Prima della lubrificazione, togliere la spina elettrica dalla presa di corrente.



ATTENZIONE

- Lubrificare il tapis roulant solo se necessario. Se applicate troppo lubrificante, il tapis roulant slitterà facilmente a causa di una mancanza di frizione.
- Stare ben fermi sul tapis roulant.
- Afferrare il manubrio anteriore e spingere il tapis roulant con i piedi di modo che scivoli avanti e indietro. Il tapis roulant deve muoversi senza problemi e in modo uniforme senza fare rumore.
- Se il tapis roulant non si muove senza problemi e in modo uniforme o se non si muove per niente, toccare la parte inferiore del tapis roulant con le punte delle dita per verificare la lubrificazione:
- Se sentite la lubrificazione o se le punte delle vostre dita sono lucide, significa che il tapis roulant è sufficientemente lubrificato.
- Se non sentite la lubrificazione o se le punte delle vostre dita sono impolverate o ruvide, applicare del lubrificante (15-20 ml) nella parte centrale del tappeto sotto il tapis roulant e far funzionare l'apparecchio a 5km/h per almeno 5 minuti.
- Dopo la lubrificazione, non piegare l'apparecchio prima di aver fatto un esercizio per 20 minuti con una velocità di almeno 5km/h. Il lubrificante verrà ripartito in modo uniforme nel tapis roulant.

Polvere sulla cinghia

Questo succede durante le normali fasi preliminari o fino a quando la cinghia non si sarà stabilizzata. Rimuovere l'eccesso di polvere con un panno umido ridurrà al minimo la formazione di polvere..

Pulizia generale

Sporcizia, polvere, e peli di animali possono bloccare l'entrata dell'aria ed accumularsi sulla cinghia per la camminata. Mensilmente: pulire con un aspiratore sotto il tapis roulant per evitare l'accumulo di polvere. Due volte all'anno, dovrete rimuovere il coperchio del motore di colore nero e pulire con un aspiratore tutto lo sporco che potrebbe essersi accumulato.

PRIMA DI FARE QUESTO, BISOGNA STACCARE IL CAVO DI ALIMENTAZIONE.

Registrazioni della cinghia

La registrazione deve essere fatta dal rullo posteriore. I bulloni di regolazione si trovano alla fine delle guide dei passi nei coperchi terminali, come annotato nello schema qui sotto.

- Serrare i bulloni del rullo posteriore (in senso orario) solo quanto basta per evitare lo slittamento sul rullo anteriore. Girare entrambi i bulloni di registrazione della tensione della cinghia di camminamento con incrementi di ¼ di giro ognuno e verificare che vi sia la tensione corretta camminando sulla cinghia a bassa velocità, verificando che la cinghia non slitti. Continuare a tirare i bulloni fino a quando la cinghia non slitterà più.
- Se sentite che la cinghia è sufficientemente tesa, ma continua a slittare, il problema potrebbe essere una cinghia di trasmissione del motore lenta sotto il coperchio anteriore.
- Non serrare troppo
Un sovrasserraggio danneggerà la cinghia e causerà un guasto prematuro del cuscinetto..

Registrazione dell'orientamento della cinghia di camminamento:

Le prestazioni del vostro tapis roulant dipendono dal telaio che deve muoversi su una superficie ragionevolmente piana. Se il telaio non è in piano, il rullo anteriore e posteriore non possono andare paralleli, e potrebbe servire una registrazione continua della cinghia. Il tapis roulant è progettato per tenere la cinghia di camminamento ragionevolmente centrata durante l'uso. E' normale che alcune cinghie si spostino su un fianco se la cinghia gira senza nessuno sopra. Dopo alcuni minuti di utilizzo, la cinghia di camminamento dovrebbe iniziare a centrarsi da sola. Se, durante l'uso, la cinghia continua a spostarsi su un lato, è necessario effettuare delle registrazioni.

Eccezione:

Durante la riabilitazione dove l'utente utilizza una gamba più dell'altra, potrebbe succedere che la cinghia di camminamento si sposti su un lato. In questi casi non dovrete regolarla a meno che la cinghia di camminamento non si accentri.

Per impostare l'orientamento della cinghia di camminamento (fig. F-5)

Viene fornita una chiave a brugola da 10 mm per registrare il rullo posteriore. Fare le registrazioni di orientamento solo dal lato sinistro. Impostare la velocità della cinghia a circa 3 / 5 kmh.

Ricordatevi che anche una piccola registrazione può fare moltissima differenza!

Girate il bullone in senso orario per spostare la cinghia verso destra. In senso antiorario per spostarla verso sinistra. Girare il bullone di un solo $\frac{1}{4}$ di giro e attendere qualche minuto perché la cinghia si regoli da sola. Continuare a girare con rotazioni di $\frac{1}{4}$ di giro fino a quando la cinghia non si sarà stabilizzata al centro della pedana di camminamento.

La cinghia potrebbe richiedere una registrazione dell'orientamento a seconda dell'uso e dalle caratteristiche di camminamento/corsa. Alcuni utenti influenzeranno l'orientamento in modo differente. Prevedete di fare le regolazioni richieste per centrare la cinghia. Le regolazioni diventeranno meno di una manutenzione se la cinghia è usata. Un orientamento corretto della cinghia è responsabilità del proprietario comune a tutti i tapis roulant.



ATTENZIONE

- I danni alla cinghia di camminamento causati da un orientamento/ registrazione di tensione non corretti non sono coperti dalla garanzia.

Disturbi durante l'uso

Nonostante un continuo controllo della qualità, l'attrezzatura potrebbe talvolta presentare difetti e malfunzionamenti, causati da qualche singolo componente. Nella maggior parte dei casi, non c'è bisogno di mettersi a far riparare tutta l'attrezzatura, ma generalmente basta sostituire il pezzo o la parte difettosa.

Se l'attrezzo non funziona bene durante l'uso o se si ha bisogno dei pezzi di ricambio, contatta

il tuo rivenditore Tunturi indicando di che cosa si tratta, le condizioni in cui la usi, la data di acquisto, il modello e il numero di serie del tuo attrezzo. Si raccomanda di utilizzare sempre pezzi di ricambio originali.

Se vi servono dei ricambi, fornite sempre il modello, il numero di serie dell'attrezzo e il codice ricambio per il pezzo che vi serve. La lista delle parti di ricambio si trova nella parte posteriore di questo manuale. Utilizzare solo i pezzi di ricambio indicati nella lista delle parti di ricambio.

Codici di errore

Se il display mostra un codice di errore (contrassegnato con "E"/ "DC" + numero), riavviare l'apparecchio e controllare se il display continua a riportare il codice di errore. Se il display continua a riportare il codice di errore, contattare immediatamente il rivenditore.

Trasporto e stoccaggio



ATTENZIONE

- Prima di trasportare e riporre l'apparecchio, rimuovere l'adattatore.
- Per trasportare e spostare l'apparecchio sono necessarie almeno due persone.
- Accertarsi che non vi siano altre persone o oggetti sotto l'apparecchio.
- Quando si richiude l'apparecchio, accertarsi che si senta che l'apparecchio si blocca in posizione per evitare che possa cadere all'indietro.



ATTENZIONE

- Prima di richiudere l'apparecchio, accertarsi che l'inclinazione sia dello 0%. Se l'inclinazione non è allo 0%, l'azione di chiusura danneggerà il meccanismo.
- Posizionarsi in piedi davanti all'apparecchio da entrambi i lati e afferrare saldamente le impugnature. Sollevare la parte anteriore dell'apparecchio in modo da sollevare il retro sulle ruote. Spostare l'apparecchio e abbassarlo con cura. Collocare l'apparecchio su una base protettiva per evitare danni alla superficie del pavimento.

- Spostare l'apparecchiatura con attenzione sulle superfici irregolari. Non spostare l'apparecchio al piano superiore utilizzando le ruote ma sostenerlo per le impugnature.
- Riporre l'apparecchio in un luogo asciutto con la minore variazione di temperatura possibile.

Informazioni aggiuntive

Smaltimento dell'imballo

Le linee guide governative chiedono di ridurre la quantità di rifiuti smaltiti nelle discariche. Per questo vi chiediamo di smaltire in modo responsabile tutti i rifiuti d'imballo presso dei centri di riciclaggio pubblici.

Smaltimento a fine vita

Noi di Tunturi speriamo che possiate godervi molti anni di piacevole uso dal nostro fitness trainer. Tuttavia, arriverà il momento quando il vostro fitness trainer arriverà alla fine della sua vita utile. Secondo la Legislazione Europea WEEE voi siete responsabili per uno smaltimento appropriato del vostro fitness trainer presso una struttura di raccolta pubblica autorizzata.

Dichiarazione del fabbricante

Tunturi New Fitness BV dichiara che questo prodotto è conforme ai seguenti standard e direttive: EN 957 (HB), 89/336/CEE. Pertanto sul prodotto è apposto il marchio CE.

01-2017

Tunturi New Fitness BV
Purmerweg 1
1311 XE Almere
Paesi Bassi

Clausola di esonero della responsabilità

© 2017 Tunturi New Fitness BV
Tutti i diritti riservati.

Il prodotto e il manuale sono soggetti a modifiche. Le specifiche tecniche possono essere modificate senza preavviso.

Español

Este manual español es una traducción del texto inglés. No se pueden derivar derechos de esta traducción. El texto original en inglés prevalecerá.

Índice

Cinta de correr	78
Advertencias de seguridad	78
Seguridad eléctrica.....	79
Descripción (fig. A).....	80
Package contents (fig. B & C).....	80
Montaje (fig. D).....	80
Sesiones de ejercicio.....	80
Ejercicio Instrucciones.....	81
Del ritmo cardíaco.....	82
Uso	82
Consola (fig. E-1)	83
Botones.....	83
Explicación de los elementos de la pantalla (Fig. H).....	84
Programas	84
Quick start.....	84
Modo manual.....	85
Fin de su entrenamiento.....	85
Garantía	86
Limpieza y mantenimiento	87
Lubricación (fig. F-4).....	87
Defectos De Funcionamiento	89
Transporte y almacenamiento	89
Información adicional.....	90
Declaración del fabricante	90
Descargo de responsabilidad	90

Cinta de correr

¡Bienvenido al mundo de Tunturi Fitness!
Le agradecemos la compra de esta máquina Tunturi. Tunturi ofrece una amplia gama de máquinas de fitness profesionales como bicicletas elípticas, cintas de correr y bicicletas de ejercicio. La máquina Tunturi es adecuada para toda la familia, independientemente del nivel de forma física. Si desea información adicional, visite nuestro sitio web www.tunturi.com

Información y precauciones

Lea atentamente esta guía antes del montaje, uso o mantenimiento de su equipo de ejercicio. Mantenga esta guía en lugar seguro; le brindará hoy y en el futuro la información que necesite para usar y mantener su equipo. Siga siempre atentamente sus instrucciones.

Advertencias de seguridad



ADVERTENCIA

- Lea las advertencias de seguridad y las instrucciones. De no seguirse las advertencias de seguridad y las instrucciones pueden producirse lesiones personales o daños en la máquina. Conserve las advertencias de seguridad y las instrucciones para su consulta posterior.



ADVERTENCIA

- Los sistemas de motorización de frecuencia cardíaca pueden ser imprecisos. Un exceso de ejercicio puede provocar lesiones graves o incluso la muerte. Si se siente mareado, deje de hacer ejercicio inmediatamente.
- La máquina es adecuada únicamente para uso doméstico. La máquina no es adecuada para un uso comercial.
- El uso máx. Está limitado a 3 horas al día.
- El uso de esta máquina por niños o por personas con una discapacidad física,

sensorial o motora, o falta de experiencia y conocimientos, puede dar lugar a situaciones de riesgo. Las personas responsables de su seguridad deben dar instrucciones explícitas o supervisar el uso de la máquina.

- Antes de empezar a hacer ejercicio, consulte con un médico para comprobar su estado de salud.
- Si experimenta náuseas, mareos u otros síntomas anormales, deje de hacer ejercicio inmediatamente y consulte con un médico.
- Para evitar dolor y tensión muscular, realice un calentamiento antes de empezar a hacer ejercicio y termine haciendo relajación. Recuerde hacer estiramientos al final de la sesión de ejercicio.
- La máquina es adecuada únicamente para uso en interior. La máquina no es adecuada para un uso en exterior.
- Utilice la máquina únicamente en lugares con una ventilación adecuada. No utilice la máquina en lugares donde haya corriente para no resfriarse.
- Utilice la máquina únicamente en lugares con una temperatura ambiente entre 10 °C y 35 °C. Almacene la máquina únicamente en lugares con una temperatura ambiente entre 5 °C y 45 °C.
- No utilice ni almacene la máquina en espacios húmedos. La humedad del aire no debe ser superior al 80%.
- Utilice la máquina sólo para su uso previsto. No la utilice para otros fines que no sean los descritos en el manual.
- La máquina no debe utilizarse si alguna de las piezas ha sufrido daños o tiene algún defecto. Contacte con su proveedor si alguna de las piezas ha sufrido daños o tiene algún defecto.
- Mantenga las manos, los pies y demás partes del cuerpo alejadas de las piezas móviles.
- Mantenga el pelo alejado de las piezas móviles.
- Lleve ropa y calzado adecuado.
- Mantenga la ropa, las joyas y otros objetos alejados de las piezas móviles.
- Asegúrese de que sólo una persona utilice la máquina cada vez. La máquina no debe ser utilizada por personas cuyo peso supere los 135 kg (300 lbs).
- No abra la máquina sin consultar con su proveedor.

Seguridad eléctrica

(Aplicable sólo para máquinas con limitación eléctrica)

- Antes del uso, compruebe siempre que la tensión de red sea la misma que la tensión indicada en la placa de características de la máquina.
- No utilice un cable alargador.
- Mantenga el cable de red alejado del calor, de aceite y de bordes afilados.
- No altere ni modifique el cable de red o el enchufe de red.
- No utilice la máquina si el cable de red o el enchufe de red ha sufrido daños o tiene algún defecto. Si el cable de red o el enchufe de red ha sufrido daños o tiene algún defecto, contacte con su proveedor.
- Desenrolle siempre el cable de red en su totalidad.
- No pase el cable de red debajo de la máquina. No pase el cable de red debajo de una alfombra. No coloque ningún objeto sobre el cable de red.
- Asegúrese de que el cable de red no cuelgue sobre el borde de una mesa. Asegúrese de que el cable de red no quede atrapado y que no sea posible tropezarse con él.
- No deje la máquina desatendida cuando el enchufe de red esté insertado en la toma de pared.
- No tire del cable de red para sacar el enchufe de la toma de pared.
- Retire el enchufe de red de la toma de pared cuando la máquina no se esté utilizando, antes del montaje o el desmontaje o antes de la limpieza y el mantenimiento.



ADVERTENCIA

- Si la tensión varía en un diez por cien (10%) o más, esto podrá afectar al rendimiento de la cinta. Esta situación no está cubierta por la garantía. Si sospecha que la tensión es baja, póngase en contacto con su compañía eléctrica o un electricista autorizado para que lo compruebe.

ADVERTENCIA

- No use NUNCA una toma de corriente de pared RCD -dispositivo de corriente residual (ver. EE.UU. = GFCI)- con esta cinta de correr. Como ocurre con cualquier aparato con un motor grande, el RCD/GFCI se disparará a menudo. Sitúe el cable de alimentación lejos de cualquier pieza móvil de la cinta, incluido el mecanismo de elevación y las ruedas de transporte.

Instrucciones de toma de tierra

Este producto deberá tener una toma de tierra. Si el sistema eléctrico de la cinta se averiara o fallara, la toma de tierra proporciona una ruta de menos resistencia para la corriente eléctrica, reduciendo el riesgo de descarga eléctrica. Este producto está equipado con un cable que tiene un enchufe de toma de tierra de equipo. El enchufe se deberá enchufar en una toma adecuada que esté instalada correctamente y esté conectada a tierra conforme a todos los códigos y disposiciones locales.

ADVERTENCIA

- Una conexión inadecuada del conductor de toma de tierra del equipo podrá provocar un riesgo de descarga eléctrica. Compruebe con un electricista cualificado o persona de mantenimiento si tiene dudas sobre si el producto está conectado a tierra correctamente. No modifique el enchufe proporcionado con el producto si no encaja en la toma; encargue a un electricista cualificado que le instale una toma adecuada.

Descripción (fig. A)

La cinta de correr es una máquina estacionaria de fitness que se utiliza para simular la acción de caminar o correr sin generar una presión excesiva en las articulaciones.

Package contents (fig. B & C)

- El paquete contiene los elementos que se muestran en la fig. B.
- El paquete contiene los elementos de fijación que se muestran en la fig. C. consulte la sección "Descripción".

NOTA

- Si falta una pieza, contacte con su proveedor.

Montaje (fig. D)

ADVERTENCIA

- Monte la máquina en el orden indicado.
- Al menos dos personas deben transportar y mover la máquina.

ADVERTENCIA

- Coloque la máquina sobre una superficie firme y nivelada.
- Coloque la máquina sobre una base protectora para evitar daños en la superficie del suelo.
- Deje unos 100 cm de espacio alrededor de la máquina.

- Consulte las ilustraciones para el correcto montaje de la máquina.

Sesiones de ejercicio

La sesión de ejercicio debe ser ligera, pero de larga duración. El ejercicio aeróbico se basa en mejorar el consumo de oxígeno máximo del cuerpo, lo que a su vez mejora la resistencia y la forma física. Debe transpirar, pero no debe quedarse sin aliento durante la sesión de ejercicio. Para lograr y mantener un nivel de forma física básico, debe realizar ejercicio al menos tres veces a la semana, 30 minutos cada vez. Aumente el número de sesiones de ejercicio para mejorar su nivel de forma física. Vale la pena combinar el ejercicio regular con una dieta sana. Una persona que se encuentre a dieta debe realizar ejercicio a diario, al principio

30 minutos o menos cada vez, aumentando gradualmente el tiempo de ejercicio diario hasta una hora. Empiece la sesión de ejercicio a velocidad baja y resistencia baja para evitar que el sistema cardiovascular se vea sometido a una tensión excesiva. A medida que mejore el nivel de forma física, pueden aumentarse gradualmente la velocidad y la resistencia. La eficiencia de su ejercicio puede medirse supervisando su frecuencia cardíaca y sus pulsaciones.

Ejercicio Instrucciones

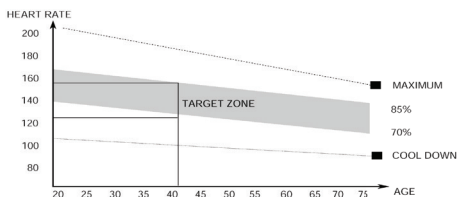
El uso de su entrenador le aportará muchas ventajas, mejorará su tono físico, tonificará los músculos y, combinado con una dieta con un consumo controlado de calorías, le ayudará a perder peso.

Fase de calentamiento

Esta fase mejora la circulación y favorece el buen funcionamiento de los músculos. Asimismo, reduce el riesgo de calambres y de lesiones musculares. Es conveniente realizar una serie de ejercicios de estiramiento, como se muestra más abajo. Al estirar se debe mantener la posición durante unos 30 segundos; no fuerce los músculos ni realice movimientos bruscos para estirarlos, si duele, PARE inmediatamente.

Fase de ejercicio

Esta es la fase de esfuerzo. Tras un uso regular, los músculos de las piernas irán ganando flexibilidad. Es importante mantener un ritmo estable durante toda esta fase. El ejercicio debe ser lo suficientemente fuerte como para incrementar el ritmo cardíaco hasta el objetivo que se muestra en el siguiente cuadro.



Esta fase debe tener una duración mínima de 12 minutos, aunque la mayoría de las personas empiezan a los 15-20 minutos.

Fase de enfriamiento

La finalidad de esta fase es permitir que se relaje el sistema cardiovascular y los músculos. Es una repetición del ejercicio de calentamiento, por lo que debe ir reduciendo el ritmo de manera constante durante unos 5 minutos. En este momento debe repetir también los ejercicios de estiramiento, evitando de nuevo forzar los músculos o hacer movimientos bruscos.

A medida que vaya mejorando su forma física, es posible que el entrenamiento tenga que ser más largo e intenso. Es aconsejable entrenarse al menos tres veces a la semana, espaciando de manera uniforme, en la medida de lo posible, los entrenamientos durante la semana.

Tonificación muscular

Si quiere tonificar los músculos mientras trabaja con el aparato, deberá ajustar la resistencia en un nivel bastante alto. Así aumentará la tensión sobre los músculos de las piernas, con lo que es posible que no pueda entrenarse durante todo el tiempo que le gustaría. Si quiere mejorar su condición física, tendrá que modificar también el programa de entrenamiento. El entrenamiento durante las fases de calentamiento y enfriamiento será igual, pero debe aumentar la resistencia hacia el final de la fase de ejercicio para incrementar el esfuerzo del tren inferior. Tendrá que reducir la velocidad para mantener el ritmo cardíaco en la zona objetivo.

Pérdida de peso

El factor determinante en este sentido es el esfuerzo realizado. Cuanto más intenso y prolongado sea el ejercicio físico, más calorías quemará. En realidad, es lo mismo que si se entrenara para mejorar la condición física, lo que cambia es el objetivo.

Del ritmo cardíaco

Medición de las pulsaciones (sensor de pulsaciones de mano)

Las pulsaciones se miden con unos sensores en los manillares cuando el usuario toca ambos sensores al mismo tiempo.

ligeramente húmeda y tocar constantemente los sensores de pulsaciones de mano. Si la piel está demasiado seca o demasiado húmeda, la medición de las pulsaciones puede resultar menos precisa.

NOTA

- No utilice los sensores de pulsaciones de mano en combinación con una correa en el pecho para la frecuencia cardíaca.
- Si define un límite de frecuencia cardíaca para su sesión de ejercicio, cada vez que éste se supere sonará una alarma.

Frecuencia cardíaca máxima (durante el entrenamiento)

alcanzar una persona de forma segura por la tensión del ejercicio. Se utiliza la siguiente fórmula para calcular la frecuencia cardíaca máxima media: $220 - \text{EDAD}$. La frecuencia cardíaca máxima varía según la persona.

ADVERTENCIA

- Asegúrese de no superar la frecuencia cardíaca máxima durante la sesión de ejercicio. Si usted se encuentra en un grupo de riesgo, consulte con un médico.

Principiante 50-60% de frecuencia cardíaca máxima

Adecuada para principiantes, personas que cuidan la línea, convalecientes y personas que no han hecho ejercicio en mucho tiempo. Haga ejercicio al menos tres veces a la semana, 30 minutos cada vez.

Avanzado 60-70% de frecuencia cardíaca máxima

Adecuada para personas que desean mejorar y mantener la forma física. Haga ejercicio al menos tres veces a la semana, 30 minutos cada vez.

Experto 70-80% de frecuencia cardíaca máxima

Adecuado para personas con muy buena forma física que están acostumbradas a sesiones de ejercicio de gran resistencia.

Uso

Interruptor de alimentación principal (fig. E-2A)

La máquina está equipada con un interruptor de alimentación principal para poder a pagarla completamente.

Para poner en marcha la máquina:

- Inserte el enchufe de red en la máquina.
- Inserte el enchufe de red en la toma de pared.
- Sitúe el interruptor de alimentación principal en la posición de encendido (ON).

Para parar la máquina:

- Sitúe el interruptor de alimentación principal en la posición de apagado (OFF).
- Retire el enchufe de red de la toma de pared.
- Retire el enchufe de red de la máquina.

Llave de seguridad (fig. F-4)

La máquina está equipada con una llave de seguridad que debe insertarse correctamente en la consola para poner en marcha la máquina. Si retira la llave de seguridad de la consola, la máquina se para inmediatamente.

- Inserte la llave de seguridad en la ranura de la consola.
- Asegúrese de que la pinza de la llave de seguridad esté bien sujeta a su ropa. Asegúrese de no retirar la pinza de su ropa antes de retirar la llave de seguridad de la consola.

Disyuntor (Fig. E-2B)

La máquina está equipada con un disyuntor que interrumpe el circuito cuando la carga eléctrica está por encima de la capacidad máxima. Cuando esto ocurra, debe pulsarse el disyuntor.

ADVERTENCIA

- Antes de pulsar el disyuntor, retire el enchufe de red de la máquina.

Si la máquina se apaga, haga lo siguiente para reiniciarla:

- Retire el enchufe de red de la máquina.
- Pulse el disyuntor para reiniciar la máquina.
- Inserte el enchufe de red en la máquina.

NOTA

- Algunos disyuntores usados en las casas no son idóneos para elevadas corrientes de irrupción que pueden producirse cuando se enciende por primera vez una cinta de correr o incluso durante el uso normal. Si la cinta está disparando el disyuntor (incluso aunque sea de la clase de corriente correcta y la cinta sea el único aparato del circuito), pero el disyuntor de la cinta en sí no se dispara, tendrá que sustituir el disyuntor por uno de clase de irrupción elevada. No es un defecto cubierto por la garantía. Es una situación que nosotros, como fabricantes, no podemos controlar.

Desplegado y plegado de la máquina (fig. F1-F2)

La máquina puede desplegarse para su uso (fig. F1) y plegarse para el transporte y el almacenamiento (fig. F2).

Consulte las ilustraciones para conocer la forma correcta de desplegar y plegar la máquina.

ADVERTENCIA

- Asegúrese que la elevación de la cinta de correr está al 0% antes de plegarla. Si la elevación no está al 0%, plegarla podría dañar el mecanismo.

Consola (fig. E-1)

PRECAUCIÓN

- Mantenga la consola alejada de la luz solar directa.
- Seque la superficie de la consola cuando esté cubierta de gotas de sudor.
- No se apoye en la consola.

- Toque la pantalla únicamente con la punta del dedo. Asegúrese de no tocar la pantalla con las uñas ni objetos afilados.

NOTA

- La consola pasa al modo de espera activa cuando la máquina no se usa durante 4 minutos.

Botones

Botón Stop:

- Iniciar o detener (pausa) la sesión de ejercicio.
- La consola se reinicia si se mantiene pulsado durante 2 segundos en "modo de parada"

Velocidad + (Lieber)

- Aumenta la velocidad (1.0 - 16 km/h).
- Cada pulsación aumenta la velocidad 0,1 km/h.
- Si se mantiene pulsado durante dos segundos la velocidad aumenta más rápidamente.
- Desplácese por los programas y cambie los valores en modo de programación.

Velocidad - (Tortuga)

- Disminuye la velocidad (1.0 - 16 km/h).
- Cada pulsación disminuye la velocidad 0,1 km/h.
- Si se mantiene pulsado durante dos segundos la velocidad disminuye más rápidamente.
- Desplácese por los programas y cambie los valores en modo de programación.

Inclinación +

- Aumenta la inclinación (de 0%~10% ±1%).

Inclinación -:

- Disminuye la inclinación (de 0%~10% ± 1%).

MODE

- Confirme el ajuste para acceder al siguiente paso del modo de programación.
- Durante el modo de entrenamiento, cambiar el parámetro de la ventana Step/ Distance & Pulse/ Calories.

Prog

- Seleccionar el modo de programa

Start

- Iniciar el entrenamiento seleccionado

Teclas de velocidad

Las teclas de velocidad están configuradas como: 2, 6, 8, 10, 12, & 16 km/h.

Por ejemplo, puede cambiar la velocidad a 8 km/h. pulsando la tecla de velocidad 8.

Teclas de inclinación

Las teclas de inclinación están configuradas como: 2, 6, 8, 10 & 12 %.

Por ejemplo, puede cambiar la elevación a 6 % pulsando la tecla de elevación 6.

Teclas acceso rápido de velocidad

- + : Igual que Speed +
- - : Igual que Speed -.

Teclas acceso rápido de inclinación

- + : Igual que Incline +
- - : Igual que Incline -.

Explicación de los elementos de la pantalla (Fig. H)

Speed

- Muestra la velocidad real de la cinta en modo de entrenamiento.
- Muestra la velocidad objetivo en modo de programación.

Incline

- Muestra la inclinación real de la cinta en modo de entrenamiento.
- Muestra la inclinación objetivo en modo de programación.

Distance

- Muestra la distancia recorrida en modo de entrenamiento.
- Muestra la distancia objetivo cuando se encuentra en modo de programación.
- Muestra la selección de programa cuando se encuentra en modo de programa.

Time

- Muestra el tiempo de entrenamiento en modo de entrenamiento.
- Muestra el tiempo objetivo cuando se encuentra en modo de programación.

Pulse

- Muestra la frecuencia cardíaca en modo de entrenamiento, o "P" cuando no se mide la frecuencia.

Calories

- Muestra las calorías consumidas en modo de entrenamiento.



NOTA

- Estos datos son una guía aproximada para la comparación de distintas sesiones de ejercicios que no pueden utilizarse en tratamientos médicos



NOTA

- La pantalla "Step/ Distance" & "Pulse/ Calories" escanea cada 5 segundos.
- Utilice el botón "MODE" para suspender la pantalla, o para que vuelva a escanear si se encuentra en modo suspendido.

Programas

Quick start

- Pulse el botón "START" para iniciar su entrenamiento sin ningún ajuste preestablecido.
- La cinta de correr se pondrá en funcionamiento a una velocidad mínima de 1,0 km/h y mantendrá el ajuste de inclinación establecido en ese momento.
- Puede ajustar manualmente la velocidad / inclinación en cualquier momento para cambiar su entrenamiento, así como detenerlo / pausarlo.

Modo manual

- Pulse el botón MODE para abrir el modo de programación.
- Pulse los botones "PROG" para seleccionar el programa "P0", pulse el botón "MODE" para confirmar.
- Pulse los botones "SPEED +/-" para establecer el tiempo de entrenamiento que desee

El tiempo de entrenamiento predeterminado está ajustado en 30:00 minutos.

Rango 10:00~99:00 min.

NOTA

- Cuando se ajusta a 00:00 minutos, el entrenamiento no se detendrá a menos que se haga manualmente.
- Pulse el botón "START" para iniciar su entrenamiento.

Fin de su entrenamiento

- Puede pausar su entrenamiento en cualquier momento pulsando una vez el botón "STOP".
La pantalla mostrará "PAUS" cuando se encuentre en modo de pausa.
- Pulse el botón "START" para reiniciar su entrenamiento desde el modo "PAUSE".
- Mantenga pulsado el botón "STOP" para detener el entrenamiento y reiniciar la consola.

Programas preestablecidos (P1~P36)

El equipo cuenta con 36 programas preestablecidos con diferentes perfiles. (Fig. G)

- Pulse el botón MODE para abrir el modo de programación.
- Pulse los botones "PROG" para seleccionar el programa "P1~P36", pulse el botón "MODE" para confirmar.
- Pulse los botones "SPEED +/-" para establecer el tiempo de entrenamiento que desee

El tiempo de entrenamiento predeterminado está ajustado en 30:00 minutos.

Rango 10:00~99:00 min.

NOTA

- Cuando se ajusta a 00:00 minutos, el entrenamiento no se detendrá a menos que se haga manualmente.
- Pulse el botón "START" para iniciar su entrenamiento.

Programas del usuario (U01~U03)

El equipo dispone de 3 programas para el usuario.

Cada programa de usuario puede ajustarse según sus requisitos personales.

Cada programa de usuario tiene un máximo de 12 pasos.

En cada paso puede establecerse la velocidad y la inclinación.

Cada paso dura 1/12 de la cantidad total de tiempo.

- Pulse el botón MODE para abrir el modo de programación.
- Pulse los botones "PROG" para seleccionar el programa "U01~U03", pulse el botón "MODE" para confirmar.
- Pulse los botones "SPEED +/-" para establecer el tiempo de entrenamiento que desee
El tiempo de entrenamiento predeterminado está ajustado en 30:00 minutos.
Rango 10:00~99:00 min..
En la pantalla "Distance" se visualiza "01".
- Pulse los botones "SPEED +/-" para ajustar la velocidad. Pulse los botones "INCLINE +/-" para ajustar la inclinación. Pulse el botón "MODE" para confirmar.
En la pantalla "Distance" se visualiza "02".
- Repita el procedimiento anterior para configurar el resto de los pasos.
- Pulse el botón "START" para iniciar el programa.

Grasa corporal

El programa de grasa corporal está diseñado para indicarle su estado físico, basándose en sus parámetros corporales y su ritmo cardíaco.

- Pulse el botón "MODE" para abrir el modo de programación.
- Pulse los botones "PROG" para seleccionar el programa "FAT", pulse el botón "MODE" para confirmar.
- En la pantalla "Distance" se visualiza "F1". (Sexo)
En la pantalla "Calories" se visualiza "1".
Pulse los botones "SPEED +/-" para establecer el valor correcto: 1: Hombres / 2: femenino
pulse el botón "MODE" para confirmar.
- En la pantalla "Distance" se visualiza "F2". (la edad)
En la pantalla "Calories" se visualiza "25".
Pulse los botones "SPEED +/-" para establecer el valor correcto: 10~99
pulse el botón "MODE" para confirmar.
- En la pantalla "Distance" se visualiza "F3". (altura)
En la pantalla "Calories" se visualiza "170"cm.
Pulse los botones "SPEED +/-" para establecer el valor correcto: 100~220
pulse el botón "MODE" para confirmar.
- En la pantalla "Distance" se visualiza "F4". (el peso)
En la pantalla "Calories" se visualiza "70"kg.
Pulse los botones "SPEED +/-" para establecer el valor correcto: 20~150 kg
pulse el botón "MODE" para confirmar.
- En la pantalla "Distance" se visualiza "F5". (activo)
En la pantalla "Calories" se visualiza "- - -"
(medida)



PRECAUCIÓN

- Para esta función es necesario sujetar los paneles de medición del ritmo cardíaco situados en las empuñaduras.

Cálculo del resultado:

- FAT 0 ~17 Peso insuficiente
- FAT 18 ~ 27 Estándar
- FAT 28 ~ más Sobrepeso

- BF = Grasa corporal (en relación %)
- Aparecerá el código de error "ER" si no se detecta el ritmo cardíaco durante el proceso de medición de BF.
- Pulse el botón "MODE" para abandonar el programa de grasa temporal

Garantía

Garantía del propietario del equipo Tunturi

Condiciones de la garantía

El consumidor tiene derecho a la aplicación de los derechos legales específicos de la legislación nacional concernientes al comercio de bienes de consumo y esta garantía no limita dichos derechos. La Garantía del Propietario sólo estará en vigor cuando el equipo se utilice en el entorno de uso permitido por Tunturi New Fitness BV para dicho equipo de ejercicio. En las instrucciones de uso de cada aparato se especifica el entorno de uso permitido para el mismo.

Términos de la garantía

Los términos de la garantía comenzarán el día de la compra. Los términos de garantía pueden variar por país, así que consulte con su distribuidor local para ver cuáles son los términos de la garantía.

Cobertura de la garantía

Tunturi New Fitness BV o los distribuidores Tunturi no responderán en ninguna circunstancia a causa de esta garantía por los eventuales daños indirectos, secundarios, resultantes o especiales de ningún tipo derivados del uso o la imposibilidad de uso de este equipo.

Restricciones a la garantía

La garantía cubre los fallos debidos a la fabricación y los materiales en un equipo de ejercicio que esté en su ensambladura original. La garantía cubre solamente defectos que se manifiesten durante un uso normal, conforme a las instrucciones dadas en la guía suministrada

con el equipo, a condición de que se hayan observado las instrucciones de montaje, mantenimiento y utilización proporcionadas por Tunturi. Tunturi New Fitness BV y los distribuidores Tunturi no pueden responder de fallos ocasionados por circunstancias ajenas a su control. La presente garantía sólo es válida para el comprador original del equipo de ejercicio y tiene vigencia solamente en los países en los que Tunturi New Fitness BV cuenta con un importador autorizado. La garantía no cubre los equipos de ejercicio o sus partes que hayan sido modificados sin el consentimiento previo de Tunturi New Fitness BV. La garantía no cubre fallos derivados del desgaste normal, de un uso indebido, de su uso en condiciones para las que el equipo no ha sido concebido, corrosión o daños sufridos durante la carga o el transporte.

La garantía no cubre los sonidos o ruidos emitidos durante el uso que no impidan de forma sustancial la utilización del equipo y que no estén provocados por un fallo del mismo. La garantía no cubre las actividades de mantenimiento tales como limpieza, lubricación o el ajuste normal de las piezas, ni los procedimientos de instalación que el cliente pueda realizar por sí mismo y que no requieran un desmontaje / montaje especial del equipo de ejercicio. Estos procedimientos son, por ejemplo, el cambio de contadores, pedales o de otras piezas simples similares. No se reembolsarán las reparaciones realizadas durante el periodo de garantía por agentes no autorizados por Tunturi. Si no se siguen adecuadamente las instrucciones dadas en el Manual del Propietario se invalidará la garantía del producto.

Limpieza y mantenimiento



ADVERTENCIA

- Antes de la limpieza y el mantenimiento, retire el enchufe de red de la toma de pared.
 - No utilice disolventes para limpiar la máquina.
- No obstruya las aberturas de ventilación. Mantenga las aberturas de ventilación libres de polvo, suciedad y otras obstrucciones.
 - Limpie la máquina con un paño suave y absorbente tras cada uso.
 - Limpie las partes visibles de la máquina con un aspirador que tenga una boquilla de aspiración pequeña.
 - Compruebe periódicamente que todos los tornillos y las tuercas estén apretados.

Cinta y cubierta de correr:

La cinta usa una base de gran eficacia y baja fricción. El rendimiento se maximiza cuando la cubierta de correr se mantiene lo más limpia posible. Use un paño suave y húmedo o una toalla de papel para limpiar el borde de la cinta y el área entre el borde de la cinta y el bastidor. Llegue también hasta prácticamente justo debajo del borde de la cinta. Deberá hacer esto una vez al mes para aumentar la vida útil de la cinta y la cubierta de correr. Use solo agua – ni productos de limpieza ni abrasivos. Una solución suave de jabón y agua con un cepillo de fregar de nailon servirá para limpiar la parte superior de la cinta con textura. Deje que la cinta se seque antes de usarla.

Lubricación (fig. F-4)

Debe comprobarse la lubricación de la banda cada 2 meses, en base a un uso medio de 60 minutos al día.



ADVERTENCIA

- – Antes de la lubricación, retire el enchufe de red de la toma de pared.



PRECAUCIÓN

- Lubrique la banda sólo si es necesario. Si aplica demasiado lubricante, la banda resbalará fácilmente debido a la ausencia de fricción.
- Sitúese sobre la banda.
- Sujete el manillar frontal y empuje la banda con los pies de modo que se deslice hacia atrás y hacia delante. La banda debe moverse suave y regularmente sin hacer ruido.
- Si la banda no se mueve suave y regularmente o no se mueve, toque la parte baja de la banda con las puntas de los dedos para comprobar la lubricación:
 - – Si nota el lubricante o sus dedos están brillantes, hay suficiente lubricación en la banda.
 - Si no nota lubricante o sus dedos tienen polvo o están ásperos, aplique lubricante (15-20 ml) en la mitad de la plataforma bajo la banda y deje que la máquina funcione a 5 km/h durante al menos 5 minutos.
 - Tras la lubricación, no pliegue la máquina antes de haber realizado una sesión de ejercicio durante 20 minutos con una velocidad de al menos 5 km/ H. El lubricante se extenderá uniformemente por la banda.

Polvo de la cinta:

Esto ocurre durante una interrupción normal o hasta que la cinta se estabilice. Si limpia el exceso de polvo con un paño húmedo se minimizará la acumulación de éste.

Limpieza general:

La suciedad, el polvo y el pelo de los animales pueden bloquear las entradas de aire y acumularse en la cinta de correr. Pase la aspiradora mensualmente debajo de la cinta para evitar que se acumule. Dos veces al año deberá quitar la cubierta negra del motor y aspirar la suciedad que se haya acumulado.
DESENCHUFE EL CABLE DE ALIMENTACIÓN ANTES DE HACER ESTAS TAREAS.

Ajustes de la cinta:

Ajuste de la tensión de la cinta de correr: El ajuste se deberá hacer desde el rodillo trasero. Los tornillos de ajuste se encuentran en el extremo de las barras en las tapas finales, como se indica en el siguiente dibujo.

- Apriete los tornillos del rodillo trasero (a la derecha) solo lo suficiente para que no patine la cinta en el rodillo delantero. Gire los dos tornillos de ajuste de la tensión de la cinta en pasos de ¼ de vuelta cada uno y examine si la tensión es correcta andando sobre la cinta a baja velocidad, asegurándose de que la cinta no patina. Siga tensando los tornillos hasta que la cinta deje de patinar.
- Si le parece que la cinta está suficientemente tensa, pero sigue patinando, el problema puede ser que esté suelta una correa de transmisión del motor debajo de la cubierta delantera.
- No apriete en exceso: Si se aprieta en exceso se podrá dañar la cinta y provocar un fallo prematuro de los cojinetes.

ajuste de la alineación de la cinta de correr

El rendimiento de la cinta depende de que el bastidor esté sobre una superficie suficientemente plana. Si el bastidor no está horizontal, el rodillo delantero y trasero no podrán ir paralelos y habrá que ajustar constantemente la cinta.

La cinta de correr está diseñada para mantener la cinta razonablemente centrada cuando está en uso. Es normal que algunas cintas se desvíen hacia un lado cuando la cinta está funcionando sin nadie encima. Después de unos minutos de uso, la cinta deberá tender a centrarse por sí misma. Si durante el uso la cinta sigue moviéndose hacia un lado, habrá que ajustarla.

EXCEPCIÓN:

Durante una rehabilitación en la que el usuario esté usando una pierna mucho más que la otra, puede ocurrir que la cinta se desvíe a un lado. En esos casos, no deberá ajustarla a no ser que la cinta no se centre por sí misma durante el uso en condiciones normales.

para ajustar la alineación de la cinta (fig. F-5)

Se proporciona una llave Allen de 10 mm para ajustar el rodillo trasero. Solo haga un ajuste de la alineación desde el lado izquierdo. Ajuste la velocidad de la cinta de 3 a 5 km/h.

¡Recuerde, un pequeño ajuste puede suponer una gran diferencia!

Gire el tornillo a la derecha para mover la cinta a la derecha. Y gírelo a la izquierda para moverla a la izquierda. Gire el tornillo solo un $\frac{1}{4}$ de vuelta y espere unos momentos a que la cinta se ajuste por sí misma. Continúe girando un $\frac{1}{4}$ de vuelta hasta que la cinta se establezca en el centro de la cubierta de correr.

La cinta puede que requiera un ajuste periódico de la alineación dependiendo del uso y de las características de andar/correr. Algunos usuarios tendrán un efecto diferente sobre la alineación. Es de esperar que tenga que hacer los ajustes necesarios para centrar la cinta. Según se vaya usando la cinta, cada vez tendrá que realizar menos ajustes. Una alineación correcta de la cinta es una responsabilidad del propietario habitual en todas las cintas de correr.

NOTA

- los daños a la cinta de correr derivados de un ajuste incorrecto de la alineación/tensión no están cubiertos por la garantía..

Defectos De Funcionamiento

Pese al continuo control de calidad que realizamos, el equipo puede presentar defectos o malfuncionamientos debidos a fallos en componentes individuales. En la mayoría de los casos no es necesario llevar todo el equipo a reparar, y generalmente es suficiente con reemplazar la parte defectuosa.

Si el equipo no funciona correctamente durante su uso, tome contacto inmediatamente con su proveedor Tunturi. Relate la naturaleza del problema, las condiciones de uso, la fecha de compra, el modelo y el número de serie.

En el reverso de esta guía encontrará la lista de piezas. Utilice sólo piezas de repuesto mencionadas en la lista de piezas de repuesto.

Códigos de error

Si la pantalla muestra un código de error (marcado con "E"/ "DC" + número), reinicie la máquina y compruebe si la pantalla sigue mostrando el código de error. Si la pantalla sigue mostrando el código de error, contacte inmediatamente con su proveedor.

Transporte y almacenamiento



ADVERTENCIA

- Antes de la limpieza y el mantenimiento, retire el enchufe de red de la toma de pared.
- Al menos dos personas deben transportar y mover la máquina.
- Asegúrese de que no haya otras personas ni objetos debajo de la máquina.
- Al plegar la máquina, asegúrese de que se escucha el bloqueo de la máquina en su posición para evitar que se pueda desplegar.



PRECAUCIÓN

- Antes de plegar la máquina, asegúrese de que la inclinación sea 0%. Si la inclinación no es de 0%, el mecanismo sufrirá daños durante el plegado.
- Mueva la máquina como se muestra (fig. F3). Mueva la máquina y bájela con cuidado. Coloque la máquina sobre una base protectora para evitar daños en la superficie del suelo. Mueva la máquina con cuidado sobre superficies irregulares. No suba la máquina por las escaleras usando las ruedas; transporte la máquina por los manillares.

- Almacene la máquina en posición vertical (fig. F1). Almacene la máquina en un lugar seco con la menor variación de temperatura posible.

Información adicional

Eliminación de embalajes

Las pautas gubernamentales exigen reducir la cantidad de residuos que se depositan en los basureros. Por este motivo, le rogamos que deseche los embalajes de manera responsable en centros públicos de reciclaje.

Eliminación al final de la vida útil

Desde Tunturi esperamos que disfrute de su equipo de entrenamiento durante muchos años. No obstante, llegará un momento en que éste llegue al final de su vida útil. Conforme a la Directiva WEEE (relativa a la gestión de residuos procedentes de equipos eléctricos y electrónicos) le corresponde a usted la responsabilidad de desechar adecuadamente su equipo de entrenamiento en un centro público autorizado de recogida.

Declaración del fabricante

Tunturi New Fitness BV declara que el producto es conforme con las siguientes normas y directivas: EN 957 (HB), 89/336/CEE. Por tanto, el producto dispone de marcado CE.

01-2017

Tunturi New Fitness BV
Purmerweg 1
1311 XE Almere
The Netherlands

Descargo de responsabilidad

© 2017 Tunturi New Fitness BV
Reservados todos los derechos.

El producto y el manual están sujetos a cambios. Las especificaciones pueden cambiarse sin previo aviso.

På svenska

Denna handbok är en översättning av den engelska texten. Vi förbehåller oss rätten till eventuella översättningsfel. Den engelska originaltexten råder.

Index

Löpband	91
Säkerhetsvarningar	91
Elsäkerhet	92
Beskrivning (fig. A)	93
Förpackningens innehåll (fig. B & C)	93
Montering (fig. D)	93
Träning	93
Övning Instruktioner	93
Hjärtfrekvens	94
Användning	95
Panelen (fig. E-1)	95
Knappar	96
Förklaring av displayposter (Fig. H)	96
Program	97
Quick start	97
Manuellt läge	97
Avsluta träningen	97
Garanti	98
Rengöring och underhåll	99
Smörjning (fig. F-4)	99
Störningar Vid Användning	100
Transport och lagring	101
Ytterligare information	101
Försäkran från tillverkaren	101
Friskrivning	101

Löpband

Välkommen till Tunturi Fitness värld!
Tack för att du köpte denna utrustning från Tunturi. Tunturi erbjuder ett stort utbud av professionell träningsutrustning, exempelvis crosstrainers, löpband, träningscyklar och roddmaskiner. Utrustning från Tunturi passar

hela familjen, oavsett träningsnivå. Mer information finns på vår webbplats, www.tunturi.com

Viktiga instruktioner om säkerhet

Läs noga igenom denna handbok innan du monterar,, använder eller reparerar ditt nya träningsredskap. Spara denna handbok; den innehåller information som du behöver nu och i framtiden för att använda och underhålla ditt redskap. Följ alltid dessa instruktioner noggrant.

Säkerhetsvarningar



VARNING

- Läs säkerhetsvarningarna och instruktionerna. Om inte säkerhetsvarningarna och instruktionerna följs kan det medföra skador på personer eller utrustningen. Behåll säkerhetsvarningarna och instruktionerna för framtida bruk.



VARNING

- System för övervakning av hjärtfrekvensen är inte alltid exakta. Överträning kan medföra allvarlig skada eller död. Sluta omedelbart att träna om du känner dig svag.
- Utrustningen är endast anpassad för hemmabruk. Utrustningen är inte anpassad
- Maximal användning är begränsad till 3 timmar per dag.
- Om utrustningen används av barn eller personer med fysiska, sensoriska, mentala eller motoriska handikapp, eller som saknar erfarenhet och kunskap, kan detta medföra risker. Personer som är ansvariga för deras säkerhet måste ge tydliga instruktioner, eller övervaka användningen av utrustningen.
- Innan du påbörjar din träning, uppsök en läkare som kan kontrollera din hälsa.
- Om du upplever illamående, yrsel eller andra onormala symptom, avsluta genast din träning och kontakta en läkare.
- Börja varje träningspass med att värma upp och avsluta varje träningspass med nedvarning för att undvika muskelsmärter

- och sträckningar. Kom ihåg att stretcha i slutet av träningen.
- Utrustningen är endast anpassad för användning inomhus. Utrustningen är inte anpassad för användning utomhus.
 - Använd endast utrustningen i miljöer med god ventilation. Använd inte utrustningen i dragiga miljöer för att undvika att bli förkyld.
 - Använd endast utrustningen i miljöer med temperatur mellan 10 °C och 35 °C. Förvara endast utrustningen i miljöer med temperatur mellan 5 °C och 45 °C.
 - Använd inte och förvara inte utrustningen i fuktig miljö. Luftfuktigheten får aldrig överstiga 80%.
 - Använd endast utrustningen för dess avsedda ändamål. Använd inte utrustningen för andra ändamål än de som beskrivs i handboken.
 - Använd inte den här utrustningen om någon del är trasig eller skadad. Om någon del är trasig eller skadad, kontakta din återförsäljare.
 - Håll undan händer, fötter och andra kroppsdelar från de rörliga delarna.
 - Håll undan håret från de rörliga delarna.
 - Bär passande kläder och skor.
 - Håll undan kläder, smycken och andra föremål från de rörliga delarna.
 - Låt bara en person åt gången använda utrustningen. Utrustningen får inte användas av personer som väger mer än 135 kg (300 lbs).
 - Öppna inte utrustningen utan att kontakta din återförsäljare.

Elsäkerhet

(endast elektrisk utrustning)

- Före användning, kontrollera alltid att nätspänningen är densamma som spänningen på utrustningens märkplåt.
- Använd inte en förlängningssladd.
- Håll strömkabeln borta från värme, olja och vassa kanter.
- Ändra inte strömkabeln eller kontakten.
- Använd inte utrustningen om strömkabeln eller kontakten är trasig eller skadad. Om strömkabeln eller kontakten är trasig eller skadad, kontakta din återförsäljare.

- Rulla alltid ut strömkabeln helt.
- Dra inte strömkabeln under utrustningen. Dra inte strömkabeln under en matta. Placera inte några föremål på strömkabeln.
- Kontrollera att strömkabeln inte hänger över en bordskant. Kontrollera att strömkabeln inte kan kommas åt avsiktligt eller snubblas över.
- Lämna inte utrustningen oövervakad med kontakten instoppad i vägguttaget.
- Dra inte i strömkabeln för att avlägsna kontakten från vägguttaget.
- Avlägsna stickkontakten från vägguttaget när utrustningen inte används, innan den monteras eller monteras isär och innan den rengörs eller underhålls.



VARNING

- Om strömspänningen fluktuerar med 10 procent (10%) eller mer, kan detta ha en negativ inverkan på löparbandets funktion. Om löparbandet används under sådana förhållanden upphör garantin att gälla. Om du misstänker att spänningen är för lång, kontakta din elleverantör eller en behörig elektriker för att utföra en kontroll.



VARNING

- Använd INTE en uttag med jordfelsbrytare för detta löparband. Som med alla apparater med en kraftig motor slår en jordfelsbrytare att slå till ofta. Lägg sladden för strömanslutningen så att den inte kankomma i kontakt med löparbandets rörliga delar inklusive liftmekanismen och transporthjulen.

Jordningsföreskrifter

Den här produkten ska kopplas till ett jordat uttag. Om ett fel skulle uppstå i löparbandets elsystem skyddar jordningen mot elektrisk chock. Den här produkten levereras med en jordad sladd och stickpropp. Stickproppen ska anslutas till ett enligt korrekt jordat uttag som installerats enligt gällande regler och föreskrifter.



VARNING

- Fel i apparatens jordanslutningen innebär en ökad risk för elektrisk chock. Om du är osäker på anslutningen bör du kontakta

en elektriker eller servicemontör för att kontrollera att apparaten är ordentligt jordad. Försök inte sätta i en stickpropp som inte passar i uttaget, anlita en elektriker för installation av passande vägguttag.

Beskrivning (fig. A)

Ditt löpband är en stationär träningsmaskin som används för att simulera promenad eller löpning utan att orsaka kraftigt tryck på lederna.

Förpackningens innehåll (fig. B & C)

- Förpackningen innehåller delarna som visas i fig. B.
- Förpackningen innehåller de fästdon som visas i fig. C. Se avsnittet "Beskrivning".



ANMÄRKNING

- Om någon del saknas, kontakta din återförsäljare.

Montering (fig. D)



VARNING

- Montera utrustningen i angiven ordning.
- Var två om att bära och förflytta utrustningen.



OBS.

- Placera utrustningen på en stabil och jämn yta.
 - Placera utrustningen på en skyddande grund för att förhindra att golvet skadas.
 - Lämna åtminstone 100 cm fritt runt utrustningen.
- Illustrationerna visar det korrekta sättet att montera utrustningen.

Träning

Träningen måste vara lagom lätt, men hålla på länge. Aerobisk träning är till för att förbättra kroppens maximala syreupptag, vilket förbättrar uthålligheten och konditionen. Du ska svettas, men du ska inte bli andfådd under träningen. För att uppnå och behålla en grundkondition, träna åtminstone tre gånger i veckan, 30 minuter åt gången. Öka antalet träningspass för att förbättra din kondition. Det är bra att kombinera regelbunden träning med hälsosam kost. En person som har bestämt sig för att banta bör träna dagligen, 30 minuter eller mindre till en början och sedan öka den dagliga träningstiden till en timme. Börja din träning i låg hastighet och med lågt motstånd för att förhindra att hjärtkärlsystemet utsätts för kraftig belastning. När konditionen förbättras, kan hastigheten och motståndet ökas gradvis. Din tränings effektivitet kan mätas genom att kontrollera din hjärtfrekvens och din puls.

Övning Instruktioner

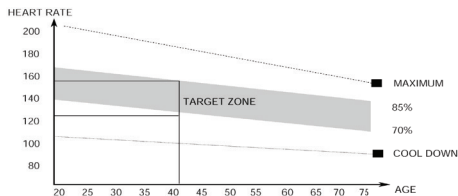
Användningen av ditt träningsredskap kommer att ge dig många fördelar; det kommer att förbättra din fysiska kondition, dina musklerna och tillsammans med en kalorikontrollerad diet hjälpa dig att gå ned i vikt.

Uppvärmningsfasen

Denna fas får blodet att börja pumpa runt i kroppen och förbereder musklerna på aktivitet. Den minskar även risken för kramp och muskelskada. Det är tillrådligt att göra några stretchövningar som visas nedan. Varje stretchövning ska hållas i ungefär 30 sekunder. Tvinga eller tryck inte in musklerna i en stretchövning. Om det gör ont, SLUTA

Träningsfasen

Detta är fasen där du jobbar. Efter regelbunden användning, kommer musklerna i dina ben att bli mer flexibla. I denna fas är det mycket viktigt att bibehålla ett jämnt tempo från början till slut. Ansträngningsnivån ska vara tillräcklig för att höja din puls till målzonen som visas i nedanstående figur



Denna fas bör pågå i minst 12 minuter, även om de flesta börjar med ungefär 15-20 minuter.

Nedvarningsfasen

Under denna fas får ditt kardiovaskulära system och dina muskler varva ned.

Den är en upprepning av uppvärmningsövningen, t.ex. minska ditt tempo, fortsätt i ca 5 minuter. Stretchövningarna ska nu upprepas. Kom ihåg att inte tvinga eller trycka in musklerna i stretchövningen.

När du blir mer vältränad, kan du träna längre och hårdare. Vi rekommenderar att träna minst tre gånger i veckan, och, om möjligt, fördela dina träningsstillfällen jämnt under hela veckan.

Muskeltoning

För att tona musklerna när du använder träningsredskapet, måste du ställa in en ganska hög belastning. Detta belastar benmusklerna mer och kan innebära att du inte kan träna så länge som du vill. Om du även försöker förbättra din kondition, måste du ändra ditt träningsprogram. Du bör träna som vanligt under uppvärmnings- och nedvarningsfaserna, men mot slutet av träningsfasen kan du öka belastningen så att dina ben får jobba hårdare. Du måste minska hastigheten för att hålla pulsen i målzonen.

Viktminskning

Den viktigaste faktorn här är hur mycket du anstränger dig. Ju hårdare och längre du tränar, desto fler kalorier bränner du. Detta är i princip detsamma som om du tränade för att förbättra din kondition, skillnaden är målet.

Hjärtfrekvens

Pulsmätning (handpulssensorer)

Pulsen mäts av sensorer i handtagen när användaren vidrör båda sensorerna samtidigt. Bäst pulsmätning fås när skinnet är en aning fuktigt och i ständig kontakt med handpulssensornerna. Om skinnet är för torrt eller för fuktigt kan pulsmätningen bli mindre exakt.



ANMÄRKNING

- Använd inte handpulssensorer tillsammans med ett pulsband.
- Om du har ställt in en begränsning av hjärtfrekvensen för din träning, kommer ett larm att ljuda när den överskrids.

Hjärtfrekvensmätning Maximal hjärtfrekvens (under träning)

Den maximala hjärtfrekvensen är den högsta hjärtfrekvens en person säkert kan få vid träning. Följande formel används för att beräkna den genomsnittliga maximala hjärtfrekvensen: $220 - \text{ÅLDER}$. Den maximala hjärtfrekvensen varierar från person till person.



VARNING

- Kontrollera att du inte överskrider din maximala hjärtfrekvens under din träning. Kontakta en läkare om du tillhör en riskgrupp.

Nyborjarnivå 50-60% av den maximala hjärtfrekvensen

Passar nybörjare, viktvaktare, konvalescenter och personer som inte har tränat på länge. Träna åtminstone tre gånger i veckan, 30 minuter åt gången.

Avanceradnivå 60-70% av den maximala hjärtfrekvensen

Passar personer som vill förbättra och underhålla konditionen. Träna åtminstone tre gånger i veckan, 30 minuter åt gången.

Expert**70-80% av den maximala hjärtfrekvensen**

Passar de mest vältränade, som är vana vid långa och tunga träningspass.

Användning

Huvudströmbrytare (fig. E-2A)

Utrustningen är utrustad med en huvudströmbrytare för att helt stänga av utrustningen.

Starta utrustningen:

- Anslut stickkontakten till utrustningen.
- Anslut stickkontakten till vägguttaget.
- Sätt huvudströmbrytaren i läge "på" (ON).

Stoppa utrustningen:

- Sätt huvudströmbrytaren i läge "av" (OFF).
- Avlägsna stickkontakten från vägguttaget.
- Avlägsna stickkontakten från utrustningen.

Säkerhetsnyckel (fig. F-4)

Utrustningen är utrustad med en säkerhetsnyckel som måste vara korrekt införd i panelen för att starta utrustningen. Om du avlägsnar säkerhetsnyckeln ur panelen, stoppas utrustningen omedelbart.

- Stoppa in säkerhetsnyckeln i öppningen i panelen.
- Kontrollera att säkerhetsnyckelns klämma sitter fast ordentligt i dina kläder. Kontrollera att säkerhetsnyckelns inte avlägsnas från dina kläder innan säkerhetsnyckeln avlägsnas ur panelen.

Brytare (fig. F-2B)

Utrustningen är utrustad med en brytare som bryter strömmen när den elektriska belastningen överstiger den maximala kapaciteten. När detta inträffar måste brytaren tryckas in.

**VARNING**

- Innan du trycker på brytaren, avlägsna stickkontakten från utrustningen.

Om utrustningen stängs av, gör följande för att starta om utrustningen:

- Avlägsna stickkontakten från utrustningen.
- Tryck på brytaren för att starta om utrustningen.
- Anslut stickkontakten till utrustningen.

**ANMÄRKNING**

- Vissa kretsbytare som används i hushåll är inte lämpade för höga spänningstoppar, vilka kan förekomma när man slår på löparbandet och även vid normal användning. Om löparband gör att säkringen går hemma hos dig (trots att rätt spänning används och löparbandet är den enda apparaten i gruppen) och löparbandets säkring inte bryter, måste du byta ut säkringen till en typ som klarar större spänningstoppar. Detta är inte en defekt som täcks av garantin. Detta är ett förhållande som tillverkaren inte kan råda över.

Fälla upp och fälla ihop utrustningen (fig. F1-F2)

Utrustningen kan fällas upp för användning (fig. F1) och fällas ihop för transport och lagring (fig. F2).

Bilderna visar det korrekta sättet att fälla upp och fälla ihop utrustningen.

**VARNING**

- Se till att löpbandets lutning (Incline) är satt till 0 innan vikning av däckets sker. Om lutningen inte är satt till 1 kan detta skada mekanismen.

Panelen (fig. E-1)

**OBS**

- Skydda panelen från direkt solljus.
- Torka av panelens yta när den är täckt av svettdroppar.
- Luta dig inte mot panelen.
- Vidrör endast displayen med din fingertopp. Var noga med att inte dina naglar eller vassa föremål vidrör displayen.

**ANMÄRKNING**

- Panelen övergår till viloläge när utrustningen inte har använts på 4 minuter.

Knappar

Stopknapp:

- Starta eller stoppa (paus) träning.
- Starta om konsolen när du trycker och håller "stoppläge" intryckt i 2 sekunder.

Fart + (Hare)

- Öka hastigheten (1.0 - 16 km/t).
- Tryck en gång för att öka hastigheten 0,1 km/t.
- Tryck och håll i två sekunder för att öka hastigheten snabbare.
- Bläddra bland program och ändra värden i programmeringsläget.

Fart - (Sköldpadda)

- Minska hastigheten (1.0 - 16 km/t).
- Tryck en gång för att minska hastigheten 0,1 km/t.
- Tryck och håll i två sekunder för att minska hastigheten snabbare.
- Bläddra bland program och ändra värden i programmeringsläget.

Slutning +

- Ökar lutningen (0%~10% ±1 %).

Slutning -:

- Minskar lutningen (0%~10% ±1 %).

Mode

- Bekräfta inställning för att gå vidare till nästa steg i programmeringsläget.
- I träningsläget, ändra parameter för Step/ Distance & Pulse/ Calories..

Prog

- Välj programläge

Start

- Starta vald träning

Snabbtangenter för hastighet

Hastighetstangenter ställs in som: 2, 6, 8, 10, 12, & 16 km/h.

Hastigheten ändras till exempel från oavsett tidigare hastighet till 8 km/h. genom att hastighetstangent 8 aktiveras.

Snabbtangenter för lutning

Hastighetstangenter för lutning ställs in som: 2, 6, 8, 10 & 12 %

Den upphöjda nivån ändras till exempel från oavsett tidigare nivå till 6 % genom att hastighetstangent 6 aktiveras.

Fjärracesstangenter för hastighet

- + : Samma som hastighet +.
- - : Samma som hastighet -.

Fjärracesstangenter för lutning

- + : Samma som lutning+.
- - : Samma som lutning -.

Förklaring av displayposter

(Fig. H)

Speed

- Visar löpbandets faktiska hastighet i träningsläget.
- Visar målhastighet i programmeringsläget.

Incline

- Visar löpbandets faktiska lutning i träningsläget.
- Visar mållutning i programmeringsläget.

Distance

- Visar den avklarade distansen i träningsläget.
- Visar måldistans i programmeringsläget.
- Visar programval i programläget.

Time

- Visar den förflutna tiden i träningsläget.
- Visar måltiden i programmeringsläget.

Pulse

- Visar pulsen i träningsläget eller "P" när ingen puls mäts.

Calories

- Visar förbrukade kalorier i träningsläget.

i OBS

- Dessa data är en ungefärligt värde för att kunna jämföra olika övningssessioner och kan inte användas inom medicinsk behandling

i OBS

- Display "Step/ Distance" & "Pulse/ Calories" skannar med intervaller på 5 sekunder.
- Använd knappen "MODER" för att frysa displayen eller starta skanning igen i fryst läge.

Program

Quick start

- Tryck på knappen "START" för att starta din träning utan några förinställda inställningar.
- Löpbandet startar på den lägsta hastigheten 1,0 km/t och behåller den aktuella lutningsinställningen.
- Justera hastigheten/lutningen manuellt när som helst för att ändra din träning, och stopp/pausa när som helst.

Manuellt läge

- Tryck på knappen MODE/ENTER för att öppna programmeringsläget.
- Tryck på knapparna "PROG" för att välja "P0"-programmet, tryck på knappen "MODE" för att bekräfta.
- Tryck på knapparna "SPEED +/-" för att ställa in önskad träningstid
Standardträningstid är inställd på 30:00 minuter.
Intervall 10:00~99:00 min.

i OBS

- När tiden är 00:00, stoppar inte träningen, om den inte stoppas manuellt.
- Tryck på knappen "START" för att starta träningen.

Avsluta träningen

- Pausa träningen när som helst genom att trycka på knappen "STOP" en gång. Display visar "PAUS" i pausläget.
- Tryck på knappen "START" för att återuppta träningen från "PAUSE"-läge.
- Tryck och håll knappen "STOP" för att stoppa träningen och starta om konsolen.

Förinställt program (P1~P36)

Redskapet har 36 förinställda program med olika profiler. (Fig. G)

- Tryck på knappen MODE/ENTER för att öppna programmeringsläget.
- Tryck på knapparna "PROG" för att välja "P1~P36"-programmet, tryck på knappen "MODE" för att bekräfta.
- Tryck på knapparna "SPEED +/-" för att ställa in önskad träningstid
Standardträningstid är inställd på 30:00 minuter.
Intervall 10:00~99:00 min.

i OBS

- När tiden är 00:00, stoppar inte träningen, om den inte stoppas manuellt.
- Tryck på knappen "START" för att starta träningen.

Användarprogram (U-01~U-03)

Redskapet har 3 användarprogram.

Alla användarprogram kan justeras efter personliga krav.

Alla användarprogram har maximalt 12 steg.

Hastigheten och lutningen kan ställas in för varje steg.

Varje steg tar 1/12 av den totala tiden.

- Tryck på knappen MODE/ENTER för att öppna programmeringsläget.
- Tryck på knapparna "PROG" för att välja "U-01~U-03"-programmet, tryck på knappen "MODE" för att bekräfta.
- Tryck på knapparna "SPEED +/-" för att ställa in önskad träningstid
Standardträningstid är inställd på 30:00 minuter.
Intervall 10:00~99:00 min.
"Distance" displayen visar "01".

- Tryck på knapparna "SPEED +/-" för att ställa in hastigheten. Tryck på knapparna "INCLINE +/-" för att ställa in lutningen. Tryck på knappen "MODE" för att bekräfta. "Distance" displayen visar "02".
- Upprepa ovanstående handling för att konfigurera övriga steg.
- Tryck på knappen "START" för att starta programmet.

Kroppsfett

Programmet Kroppsfett är ett program som visar din status, baserad på dina kroppsparemetrar och hjärtfrekvens.

- Tryck på knappen "MODE" för att öppna programmeringsläget.
- Tryck på knapparna "PROG" för att välja "U-01~U-03"-programmet, tryck på knappen "MODE" för att bekräfta.
- "Distance" displayen visar "F1"
"Calories" displayen visar "1"
Tryck på knapparna "SPEED +/-" för att fastställa det korrekta värdet: 1: Manlig / 2: Kvinnlig, tryck på knappen "MODE" för att bekräfta.
- "Distance" displayen visar "F2" (ålder)
"Calories" displayen visar "25"
Tryck på knapparna "SPEED +/-" för att fastställa det korrekta värdet: 10~99, tryck på knappen "MODE" för att bekräfta.
- "Distance" displayen visar "F3" (längd)
"Calories" displayen visar "170"cm
Tryck på knapparna "SPEED +/-" för att fastställa det korrekta värdet: 100~220, tryck på knappen "MODE" för att bekräfta.
- "Distance" displayen visar "F4" (vikt)
"Calories" displayen visar "70"kg
Tryck på knapparna "SPEED +/-" för att fastställa det korrekta värdet: 20~150, kg tryck på knappen "MODE" för att bekräfta.
- "Distance" displayen visar "F5" (verksam)
"Calories" displayen visar "- - -" (ta mått)

FÖRSIKTIG

- Du måste hålla i kontakthandtaget med hjärtfrekvensmätplattorna för denna funktion.

Resultat beräkning:

- FAT 0 ~17 Undervikt
- FAT 18 ~ 27 standard
- FAT 28 ~ plus övervikt

- BF = Kroppsfett (i förhållande %)
- Felkoden "ER" visas om ingen hjärtfrekvens detekterades under BF-mätprocessen.
- Tryck på knappen "MODE" för att lämna Kroppsfettprogrammet.

Garanti

Tunturis ágargarantitunt

Garantivillkor

Konsumenten har rätt att tillämpa de nationellt lagstadgade rättigheterna gällande konsumentvaror och denna garanti begränsar inte dessa rättigheter.

Ágargarantin är giltig endast om Tunturis träningsredskap används i de miljöer som tillåts enligt Tunturi. Vilka miljöer som är tillåtna står i träningsredskapets bruksanvisning.

Garantivillkor

Garantivillkoren börjar att gälla från inköpsdatumet. Garantivillkoren kan variera mellan olika länder. Kontakta en lokal återförsäljare om garantivillkoren.

Garantis omfattning

Oavsett omständigheter, ansvarar inte Tunturi New Fitness BV eller Tunturis återförsäljare för uppkomna personsador som påverkar köparen, och som innebär inkomstförlust eller andra ekonomiska följdverkningar.

Gegränsningar i garantin

Garantin gäller för arbets- och materialfel, förutsatt att redskapet är i originalmonterat skick. Garantin gäller endast fel som uppstår vid normalt bruk och då den använts enligt Tunturis instruktioner gällande montering, skötsel och användning. Tunturi New Fitness BV och Tunturis återförsäljare ansvarar ej för fel som uppkommer utanför deras kontroll. Garantin gäller endast redskapets ursprungliga ägare och är gällande endast i de länder där det ifnns en godkänd Tunturi New Fitness BV återförsäljare.

Garantin gäller ej för redskap eller delar som har ändrats utan Tunturi New Fitness BV:s godkännande. Garantin gäller ej för fel som

beror på normalt slitage, felaktig användning, användning i förhållanden som inte är avsett för redskapet, korrosion eller lastnings- och transportskador.

Garantin täcker inte ljud som uppstår under användning såvida dessa inte väsentligt hindrar utrustningens användning eller har orsakas av ett fel i utrustningen.

Garantin gäller inte för underhållsarbete, som rengöring, smörjning eller normal kontroll av komponenterna och inte heller för monteringsarbete som kunden själv kan göra och som inte kräver att redskapet plockas isär/sätts ihop. Det gäller till exempel byte av mätare, trampor eller andra motsvarande enkla delar. Garantireparationer utförda av andra än en godkänd Tunturi-representant, ersätts inte. Ifall instruktionerna i manualen inte följs upphävs produktens garanti.

Rengöring och underhåll



VARNING

- Innan rengöring och underhåll, avlägsna stickkontakten från vägguttaget.
- Använd inte lösningsmedel för att rengöra utrustningen.
- Blockera inte ventilationsöppningarna. Håll ventilationsöppningarna rena från damm, smuts och andra hinder.
- Rengör utrustningen med en mjuk och absorberande trasa efter varje användning.
- Rengör synliga delar av utrustningen med en dammsugare med ett litet sugmunstycke.
- Kontrollera regelbundet att alla skruvar och muttrar är åtdragna.

Bandet och löpunderlaget

Ditt löparband har ett högeffektivt lågfriktionsband. Bästa prestanda erhålls när löpunderlaget hålls ren. Använd en mjuk, ren och fuktad trasa eller hushållspapper för att torka av bandets kanter området mellan bandets kanter och ramen. Försök att nå så långt det går under bandets kanter. Rengör

bandet så här en gång i månaden så kommer ytan på bandet att hållas i optimalt skick. Använd enbart vatten - inga rengöringsmedel får användas. Använd ett mildt rengöringsmedel och vatten och en nylonborste för att rengöra det texturerade bandet. Låt bandet torka innan du använder det igen.

Smörjning (fig. F-4)

Löpattan måste smörjas en gång varannan månad, baserat på en genomsnittlig användning som uppgår till 60 minuter per dag.



VARNING

- Innan smörjning, avlägsna stickkontakten från vägguttaget.



OBS.

- Smörj bara löpattan vid behov. Om du använder för mycket smörjmedel, kommer löpattan att slira på grund av för lite friktion.
- Stå stabilt på löpattan.
- Håll i det främre handtaget och använd dina fötter för att trycka löpattan så att den glider fram och tillbaka. Löpattan måste röra sig jämnt och ljudlöst.
- Om löpattan inte rör sig jämnt, eller om det inte rör sig alls, vidrör undersidan av löpattan med dina fingertoppar och undersök smörjningen:
 - Om du känner smörjmedel eller om dina fingertoppar är blanka finns det tillräckligt med smörjmedel på löpattan.
 - Om du inte känner något smörjmedel, eller om dina fingertoppar är dammiga, applicera smörjmedel (15-20 ml) i mitten av löpbrädan under löpattan och låt utrustningen vara igång i 5 km/h under minst fem minuter.
 - Efter smörjning, fäll inte ihop utrustningen innan du har tränat i minst 20 minuter i en hastighet på minst 5 km/h. Smörjmedlet sprids ut jämnt över löpattan.

Banddamm

Detta uppstår i början och är normalt under inkörningsperioden. Torka bort synligt damm med en fuktig trasa

Allmän rengöring

Smuts, damm och hår från husdjur kan med tiden blockera ventilationsöppningarna på löparbandet. Månatlig rengöring: dammsug under löparbandet. Ta av den svarta bakre höljet två gånger om året och dammsug invändigt.

KOPPLA ALLTID UR STICKPROPPEN INNAN DU DU GÖR NÅGOT AV DETTA.

Justera bältet

Denna justering görs genom att den bakre rullen. Ställskruvarna är placerade vid ändarna av ändkåporna.

- Spänn de bakre bandrullemuttrarna (medurs) bara så att bandet inte slirar på frontrullen. Vrid båda spännbultar lika mycket i steg om 1/4 varv åt gången och testa spänningen genom att gå på bandet vid en mycket låg hastighet för att kontrollera att bandet inte slirar på rullarna. Fortsätt justera tills bandet inte slirar längre.
- Om bandet är tillräckligt spänt men fortfarande slirar kan detta bero på en löst motorrem under fronthöljets..
- Spänn inte för hårt: Om du spänner bandet för hårt kan det ta skada både bandet och lagren.

Justera bandspårningen

öparbandets prestanda är beroende på den yta som ramen står på. Om golvet inte är plant kan rullarna fram och bak inte löpa parallellt och ständig justering kan behövas.

Löparbandet har designats för att hålla bandet i mitten under användningen. Det är normalt att ett band kan dras åt ena sidan när det inte belastas. Efter några minuters användning ska bandet dock dras mot mitten igen. Om bandet istället fortsätter att dra åt ena hållet under användningen måste det justeras.

UNDANTAG: Vid rehabilitering och användaren har större styrka i det ena benet, då kan det hända att bandet dras åt ena sidan. Under sådana omständigheter ska du inte justera då bandet återställer sig vid jämn belastning.

Ställa in bandspårning: (fig. F-5)

En 10 mm insexnyckel medföljer för justering av den bakre rullen. Justera bandspårningen enbart från vänster sida. Ställ in hastigheten på ca. 3 - 5 km/tim.

Tänk på att en liten justering kan ha stor effekt.

Vrid muttern medurs för att föra bältet åt höger. Vrid moturs för att föra det åt vänster. Vrid bara ett kvarts slag och vänta i några minuter så att bandet kan justera sig själv. Fortsätt med ytterligare ett kvarts slag tills bandet har centerats på mitten på banan.

Regelbunden justering av bandspårningen kan krävas beroende på användning och kraftfördelning under träningen. Olika användare kan påverka spårningen olika. Det är normalt att behöva justera bandspårningen då och då. Efter ett tag krävs mindre justering. Rätt bandspårning är ägarens ansvar och är en normal justering som behövs göras regelbundet på alla löparband.



ANMÄRKNING

- Skada som uppstått till följd av fel bandspårning / spänning, täcks inte av garantin.

Störningar Vid Användning

Trots kontinuerlig kvalitetskontroll kan fel eller funktionsstörningar som beror på någon enskild komponent förekomma. Därför är det onödigt att hela redskapet skickas på reparation, eftersom det för det mesta räcker med att aktuell komponent byts.

Kontakta genast din försäljare om du upptäcker fel eller brister när du använder ditt redskap eller om du behöver reservdelar. Uppge alltid redskapets modell och serienummer. Beskriv problemet, hur redskapet använts, och uppgi inköpsdagen.

Behöver du reservdelar, uppge också numret på reservdelar; du hittar en lista på reservdelar i slutet på den här handboken. Till apparaten är endast delar från reservdelslistan användas.

Felkoder

Om displayen visar en felkod ("E"/ "DC" + siffra), starta om utrustningen och kontrollera om displayen fortfarande visar felkoden. Om displayen fortfarande visar felkoden, kontakta omedelbart återförsäljaren.

Transport och lagring



VARNING

- Innan rengöring och underhåll, avlägsna stickkontakten från vägguttaget.
- Var två om att bära och förflytta utrustningen.
- Kontrollera att det inte finns några andra personer eller föremål under utrustningen.
- När utrustningen fälls ihop, kontrollera att utrustningen blir fastlåst för att förhindra att den faller tillbaka ner.



OBS.

- Innan utrustningen fälls ihop, kontrollera att lutningen är 0%. Omlutningen inte är 0% kommer mekanismen att bli skadad av att fällas ihop.
- Förflytta utrustningen som på bilden (fig. F3). Förflytta utrustningen och sätt ner den försiktigt. Placera utrustningen på en skyddande grund för att förhindra att golvet skadas. Förflytta utrustningen försiktigt över ojämna ytor. Förflytta inte utrustningen till övervåningen med hjulen, utan bär utrustningen med handtagen.
- Förvara utrustningen upprätt (fig. F1). Förvara utrustningen på en torr plats med så liten temperaturvariation som möjligt.

Ytterligare information

Bortskaffande av förpackning

Riktlinjer från myndigheter uppmanar att vi minskar mängden avfall som placeras i deponier. Vi ber dig därför att bortskaffa allt förpackningsavfall på ett ansvarsfullt sätt på allmänna återvinningscentraler.

Bortskaffande av uttjänt redskap

Vi på Tunturi hoppas att du får många års trevlig användning av ditt träningsredskap. Men det kommer en tid när ditt träningsredskap är uttjänt. Enligt den europeiska WEEE-lagstiftningen, ansvarar du för korrekt bortskaffande av ditt träningsredskap på en allmän återvinningsanläggning.

Försäkran från tillverkaren

Tunturi New Fitness BV försäkrar att produkten uppfyller följande standarder och direktiv: EN 957 (HB), 89/336/EEG. Produkten är därför CE-märkt.

01-2017

Tunturi New Fitness BV
Purmerweg 1
1311 XE Almere
Nederländerna

Friskrivning

© 2017 Tunturi New Fitness BV
Alla rättigheter förbehållna.

Produkten och handboken kan komma att ändras. Specifikationer kan ändras utan förvarning.

Suomeksi

Tämä suomennettu käyttöohje on käännetty Englannin kielestä. Pidätämme oikeudet mahdollisiin käännösvirheisiin. Käännös tehty virallisen, englanninkielisen version pohjalta.

Sisältö

Juoksumatto	102
Turvallisuusvaroitukset	102
Sähköturvallisuus	103
Kuvaus (kuva A)	104
Pakkauksen sisältö (kuva. B & C)	104
Kokoonpano (kuva. D)	104
Harjoitukset	104
Ohjeita harjoittelua varten.....	104
Syke	105
Käyttö	106
Ohjauspaneeli (kuva. E-1)	106
Painikkeet	107
Näytön kohtien selitykset (Kuva. H).....	107
Ohjelmat	108
Quick start	108
Manuaalinen tila	108
Lopeta harjoituksesi.....	108
Takuu	109
Puhdistus ja huolto	110
Voitelu (kuva F-4).....	110
Käyttöhäiriöt	112
Kuljetus ja säilytys	112
Lisätietoa laitteen omistajalle	112
Valmistajan vakuutus	112
Vastuuvapauslauseke	113

Juoksumatto

Tervetuloa Tunturi Fitness -maailmaan! Kiitämme sinua tämän Tunturi-laitteen ostosta. Tunturi tarjoaa laajan valikoiman ammattimaisia kuntoilulaitteita, mukaan lukien crosstrainerit, juoksumatot, kuntopyörät ja soutulaitteet. Tunturi-laite sopii koko perheelle kuntotasosta riippumatta. Katso lisätiedot verkkosivuiltamme www.tunturi.com

Tärkeitä turvallisuusohjeita

Tämä opas on olennainen osa kuntolaitettasi. Perehdy ohjeisiin huolellisesti ennen kuin asennat, käytät tai huollat kuntolaitettasi. Sinun tulee ehdottomasti säilyttää tämä opas, sillä jatkossa se opastaa Sinua niin kuntolaitteesi tehokkaaseen käyttöön kuin huoltoonkin. Muista aina noudattaa tämän oppaan ohjeita.

Turvallisuusvaroitukset



VAROITUS

- Lue turvallisuusvaroitukset ja -ohjeet. Turvallisuusvaroitusten ja -ohjeiden jättäminen noudattamatta voi aiheuttaa henkilön loukkaantumisen tai laitevaurion. Säilytä turvallisuusvaroitukset ja -ohjeet myöhemmää käyttöä varten.



VAROITUS

- Sykkeenvalvontajärjestelmät saattavat olla epätarkkoja. Liiallinen harjoittelu saattaa aiheuttaa vakavia vammoja tai kuoleman. Jos tunnet olosi heikoksi, lopeta harjoittelu heti.
- Laite on sopiva vain kotikäyttöön. Laite ei ole sopiva kaupalliseen käyttöön.
- Enimmäiskäyttö on rajoitettu 3 tuntiin päivässä
- Tämän laitteen käyttö lasten tai fyysisesti, aistillisesti, henkisesti, tai liikunnallisesti rajoittuneiden, tai kokemukseltaan ja tiedoiltaan puutteellisten henkilöiden toimesta voi aiheuttaa vaaratilanteita. Heidän turvallisuudestaan vastuussa olevien henkilöiden on annettava selkeät ja tarkat ohjeet laitteen käytöstä ja valvottava laitteen käyttöä.

- Ennen harjoituksen aloittamista ota yhteys lääkäriin terveystarkastusta varten.
- Jos sinulla on pahoinvointia, huimausta, tai muita epätavallisia oireita, lopeta välittömästi harjoitus ja ota yhteys lääkäriin.
- Vältä lihaskipuja ja venähdyksiä aloittamalla jokainen harjoitus lämmittelyjaksolla ja päätä jokainen harjoitus jäähdyttelyjaksolla. Muista venyttellä harjoittelun lopuksi.
- Laite on sopiva vain sisäkäyttöön. Laite ei ole sopiva ulkokäyttöön.
- Käytä laitetta riittäväällä tuuletuksella varustetuissa tiloissa. Älä käytä laitetta vetoisissa tiloissa välttääksesi kylmetymisen.
- Käytä laitetta vain ympäristölämpötilassa 10 °C - 35 °C. Säilytä laitetta vain ympäristölämpötilassa 5 °C - 45 °C.
- Älä käytä tai säilytä laitetta kosteissa tiloissa. Ilmankosteus ei saa koskaan olla yli 80 %.
- Käytä laitetta vain sen aiottuun tarkoitukseen. Älä käytä laitetta muihin, kuin tässä käyttöoppaassa esitettyihin tarkoituksiin.
- Älä käytä laitetta, jos sen jokin osa on vaurioitunut tai viallinen. Jos osa on vaurioitunut tai viallinen, ota yhteys jälleenmyyjään.
- Pidä kätesi, jalkasi ja kehon muut osat pois liikkuvista osista.
- Pidä hiuksesi pois liikkuvista osista.
- Käytä asianmukaista vaatetusta ja kenkiä.
- Pidä vaatteet, korut ja muut esineet pois liikkuvista osista.
- Varmista, että vain yksi henkilö kerrallaan käyttää laitetta. Yli 135 kg (300 lbs) ainava henkilö ei saa käyttää laitetta.
- Älä avaa laitetta ilman yhteydenottoa jälleenmyyjääsi.

Sähköturvallisuus

(koskee vain sähköistä laitetta)

- Varmista aina ennen käyttöä, että sähkölähteen jännite on sama kuin laitekilvessä ilmoitettu laitteen nimellisjännite.
- Älä käytä jatkojohtoa.
- Pidä virtajohto pois kuumasta, öljystä ja terävistä kulumista.
- Älä tee muutoksia virtajohtoon tai pistokkeeseen.

- Älä käytä laitetta, jos virtajohto tai virtajohdon pistoke on vaurioitunut tai viallinen. Jos virtajohto tai virtajohdon pistoke on vaurioitunut tai viallinen, ota yhteys jälleenmyyjääsi.
- Suorista aina virtajohto täysin.
- Älä vie virtajohtoa laitteen alitse. Älä laita virtajohtoa maton alle. Älä laita virtajohdon päälle mitään esineitä.
- Varmista, ettei virtajohto roiku pöydän kulman yli. Varmista, ettei virtajohtoon voi vahingossa tarttua kiinni tai kompastua.
- Älä jätä laitetta ilman valvontaa virtajohdon ollessa liitettynä pistorasiaan.
- Älä vedä pistoketta irti pistorasiasta virtajohdosta vetämällä.
- Irrota pistoke pistorasiasta, kun laite ei ole käytössä, ennen asennusta tai purkamista ja ennen puhdistusta sekä huoltoa.



VAROITUS

- Jos virtalähteen jännitevaihtelu on 10 % tai enemmän, se voi vaikuttaa kielteisesti juoksumaton toimintaan. Sellaiset olosuhteet eivät kuulu takuun piiriin. Jos epäilet, että jännite on alhainen, ota yhteyttä energiayhtiöosi tai valtuutettuun sähkömieheen asian tarkistamiseksi.



VAROITUS

- ÄLÄ käytä vikavirtasuojakytkimellä varustettua pistorasiaa tämän juoksumaton kanssa. Vikavirtasuojakytkin ei toimi luotettavasti sellaisten laitteiden kanssa, joissa on suuri moottori. Sijoita verkkojohto riittävän etäälle juoksumaton liikkuvista osista, kaltevuusmekanismi ja siirtopyörät mukaan lukien.

Maadoitusohjeet

Tämä laite on liitettävä maadoitettuun pistorasiaan. Jos juoksumaton sähköjärjestelmään sattuisi tulemaan häiriöitä tai vikaa, maadoitus vähentää sähköiskun vaaraa tarjoamalla sähkövirralle vähiten vastusta sisältävän polun. Juoksumaton verkkojohdossa on maadoitettu pistoke. Pistoke on liitettävä asianmukaiseen seinäpistorasiaan, joka on asennettu ja maadoitettu kaikkien paikallisten normien ja määräysten mukaisesti.



VAROITUS

- Maattojohdon väärä liitäntä voi aiheuttaa sähköiskun vaaran. Jos et ole varma siitä, onko laite maadoitettu ohjeiden mukaisesti, tarkista asia pätevältä sähkömieheltä tai huoltoasentajalta. Jos kuntolaitteen mukana toimitettu pistoke ei sovi pistorasiaan, älä yritä tehdä pistokkeeseen muutoksia. Ota yhteyttä valtuutettuun sähkömieheen ohjeiden mukaisen pistorasian asentamiseksi.

Kuvaus (kuva A)

Juoksumattosi on paikallaan pysyvä kuntoilulaite, jota käytetään simuloimaan kävelyä tai juoksua ilman liiallista rasitusta niveliin.

Pakkauksen sisältö (kuva. B & C)

- Pakkaus sisältää kuvassa B näytetyt osat.
- Pakkaus sisältää kuvassa C näytetyt kiinnittimet. Katso "Kuvaus"-osiota.



ILMOITUS

- Jos osa puuttuu, ota yhteys jälleenmyyjään.

Kokoonpano (kuva. D)



VAROITUS

- Kokoonpane laite esitetyssä järjestyksessä.
- Vähintään kahden henkilön on kannettava ja siirrettävä laitetta.



HUOMAUTUS

- Sijoita laite kovalle, tasaiselle alustalle.
 - Asettakaa laite suojalustalle lattiapinnan vaurioiden estämiseksi.
 - Varaa vähintään 100 cm tilaa laitteen ympärille.
- Katso piirroksesta laitteen oikea asennus.

Harjoitukset

Harjoituksen on oltava sopivan kevyt, mutta pitkäkestoinen. Aerobic-harjoitus perustuu kehon maksimi hapenottokyvyn parantamiseen, mikä puolestaan parantaa kestävyyttä ja kuntotasoa. Harjoituksen aikana sinun tulisi hikoilla, mutta sinun ei tulisi hengästyä. Harjoittele vähintään kolme kertaa viikossa 30 minuuttia peruskuntotason saavuttamiseksi ja ylläpitämiseksi. Paranna kuntotasoasi lisäämällä harjoituskertojen määrää. On hyödyllistä yhdistää säännöllinen harjoitus terveelliseen dieettiin. Dieettiin sitoutuneen henkilön tulisi harjoitella päivittäin, ensi alkuun korkeintaan 30 minuuttia ja vähitellen lisäten päivittäinen harjoitusaika yhteen tuntiin. Aloita harjoituksesi hitaalla nopeudella ja pienellä vastuksella estääksesi liiallisen rasituksen sydän-verisuonijärjestelmään. Nopeutta ja vastusta voidaan vähitellen lisätä kuntotason parantuessa. Harjoituksesi tehokkuus voidaan mitata seuraamalla sydämesi lyöntinopeutta ja pulssisi nopeutta. Lisää nopeutta ja vastusta vähitellen oman kuntosi mukaan. Pidä pää pystyssä ja kaula suorana välttääksesi stressiä kaulassa, hartioissa ja selässä. Pidä selkäsi suorana. Varmista, että jalkasi ovat keskellä polkimia ja että lantio, polvet, nilkat ja varpaat ovat suorana eteenpäin. Pidä painosi alaruumiin yläpuolella, huolimatta siitä, nojaatko eteenpäin vai seisotko suorana. Lopeta harjoitusjaksosi vähentämällä nopeutta ja vastusta vähitellen. Muista venytellä harjoittelun lopuksi.

Ohjeita harjoittelua varten

Kuntolaitteen käyttö tarjoaa monia etuja: se parantaa fyysistä kuntoa, kiinteyttää lihaksia ja hallittuun ruokavalion yhdistettynä se auttaa myös pudottamaan painoa.

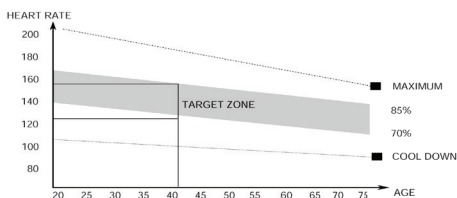
Lämmittelyvaihe

Tämän vaiheen tarkoituksena on saada veri virtaamaan nopeammin ympäri kehoa ja panna lihakset tekemään työtä. Lämmittely vähentää myös kramppein ja lihavammojen riskiä. Suosittelema, että teet muutaman venyttelyharjoituksen alla olevan kuvan

mukaisesti. Jokaisen venytyksen tulisi kestää noin 30 sekuntia. Älä tee venytyksiä väkisin tai nykäisten - jos tunnet kipua, LOPETA.

Harjoitteluvaihe

Tämä on se vaihe, jossa ponnistelet. Säännöllisen harjoittelun tuloksena jalkojesi lihakset tulevat joustavammiksi. Tässä vaiheessa on hyvin tärkeää ylläpitää tasaista nopeutta koko ajan. Rasituksen tulisi olla riittävän suuri, jotta sykkeesi nousee tavoitealueelle alla olevan kaavion mukaisesti



Tämän vaiheen tulisi kestää vähintään 12 minuuttia, mutta useimmilla aloittelijoilla se on noin 15-20 minuuttia.

Jäähdyttelyvaihe

Tämän vaiheen tarkoituksena on antaa verenkiertojärjestelmäsi ja lihaksiesi palautua. Jäähdyttelyssä toistetaan lämmittelyvaiheen harjoitukset vähentämällä ensin nopeutta ja jatkamalla tällä nopeudella noin 5 minuuttia. Toista sitten venyttelyharjoitukset pitäen mielessä, että venytyksiä ei saa tehdä väkisin tai nykäisten.

Kun kuntosi nousee, voit tarvita pidempiä ja raskaampia harjoituksia. On suositeltavaa treenata vähintään kolme kertaa viikossa, ja harjoittelut olisi hyvä jakaa tasaisesti viikon varrelle.

Lihasten kiinteytys

Jos tavoitteesi on lihasten kiinteytys, sinun pitää asettaa vastus suureksi. Silloin jalkojesi lihakset rasittuvat enemmän, etkä ehkä pysty treenaamaan niin pitkään kuin haluaisit. Jos tavoitteesi on myös kunnon kohentaminen, sinun pitää muuttaa harjoitteluojelmaasi. Harjoittele lämmittely- ja jäähdyttelyvaiheissa normaalisti, mutta lisää vastusta harjoitteluvaiheessa, jotta jalkasi joutuvat tekemään enemmän työtä. Vähennä tarvittaessa nopeutta, jotta sykkeesi pysyy tavoitealueella.

Painon pudotus

Ratkaisevaa on se, miten rasittavaa harjoittelu on. Mitä enemmän ja mitä pidempään harjoittelet, sitä enemmän poltat kaloreita. Vaikutus on sama kuin jos harjoittelisit kunnon kohentamiseksi, vaikka tavoite on nyt toinen.

Syke

Pulssinopeuden mittaus (käsi-pulssianturit)

Pulssinopeus mitataan käsitukiäntureilla käyttäjän koskettaessa kumpaakin anturia samanaikaisesti.

Pulssi saadaan mitattua mahdollisimman tarkasti, kun iho on hieman kostea ja se koskettaa koko ajan käsi-pulssiantureita. Jos iho on liian kuiva tai liian kostea, pulssinopeuden mittaus voi olla epätarkempi.



ILMOITUS

- Älä käytä käsi-pulssiantureita yhdessä sykevyön kanssa.
- Jos asetat rajan sydämen lyöntinopeudelle, rajan ylittyessä kuuluu äänihälytys.

Suurin sallittu sydämen lyöntinopeus (harjoituksen aikana)

Suurin sallittu sydämen lyöntinopeus on suurin lyöntinopeus, jonka henkilö voi turvallisesti saavuttaa harjoituksen rasituksella. Seuraavaa kaavaa käytetään laskemaan keskimääräinen suurin sallittu sydämen lyöntinopeus: 220 - IKÄ. Suurin sallittu sydämen lyöntinopeus vaihtelee henkilöstä toiseen.



VAROITUS

- Varmista, ettet ylitä sydämesi suurinta sallittua lyöntinopeutta harjoituksen aikana. Jos kuulut riskiryhmään, ota yhteys lääkäriin.

Aloittelija 50-60% suurimmasta sallitusta sydämen lyöntinopeudesta

Sopiva aloittelijoille, painonvartijoille, toipilaille, ja henkilöille, jotka eivät ole harjoitelleet pitkään aikaan. Harjoittele vähintään kolme kertaa viikossa, 30 minuuttia kerrallaan.

Edistynyt 60-70% suurimmasta allitusta sydämen lyöntinopeudesta

Sopiva henkilöille, jotka haluavat parantaa ja ylläpitää kuntoaan. Harjoittele vähintään kolme kertaa viikossa, 30 minuuttia kerrallaan..

Ekspertti 70-80 % suurimmasta sallitusta sydämen lyöntinopeudesta

Sopiva kunnoltaan erittäin hyvälle henkilöille, jotka ovat tottuneet pitkäkestoisiin harjoituksiin.

Käyttö

Pääkytkin (kuva E-2A)

Tämä laite on varustettu pääkytkimellä laitteen sammuttamiseksi kokonaan.

Laitteen käynnistäminen:

- Työnnä virtajohdon pistoke laitteeseen.
- Laita virtajohdon pistoke pistorasiaan.
- Laita pääkytkin ON-asentoon.

Laitteen pysäyttäminen:

- Laita pääkytkin OFF-asentoon.
- Poista virtajohdon pistoke pistorasiasta.
- Poista virtajohdon pistoke laitteesta.

Turvallisuusavain (kuva F-4)

Laite on varustettu turvallisuusavaimella, joka on laitettava asianmukaisesti ohjauspaneeliin laitteen käynnistämiseksi. Jos poistat turvallisuusavaimen ohjauspaneelista, laite pysähtyy välittömästi.

- Työnnä turvallisuusavain ohjauspaneelissa olevaan hahloon.
- Varmista, että turvallisuusavaimen pidike on kiinnitetty hyvin vaatteisiisi. Varmista, että pidike ei irtoa vaatteistasi ennen kuin turvallisuusavain irtoaa ohjauspaneelista.

Katkaisin (kuva. E-2B)

Laite on varustettu katkaisimella, joka avaa virtapiirin sähkökuormituksen ollessa yli suurimman sallitun kuorman. Tämän tapahtuessa katkaisijaa on painettava.



VAROITUS

- Poista virtajohdon pistoke laitteesta ennen katkaisimen painamista.

Jos laite sammuttaa itsensä, käynnistä laite uudestaan seuraavasti:

- Poista virtajohdon pistoke laitteesta.
- Paina katkaisinta laitteen käynnistämiseksi uudelleen.
- Työnnä virtajohdon pistoke laitteeseen.



ILMOITUS

- Joitakin kotona käytettäviä katkaisimia ei ole luokiteltu korkeaan käynnistysjännitevirtaan, jota voi esiintyä, kun juoksumatto kytketään päälle ja jopa normaalin käytön aikana. Jos juoksumattosi aktivoi katkaisimen (vaikka luokitus on oikea ja juoksumatto on virtapiirin ainoa laite), mutta juoksumaton oma katkaisin ei aktivoitu, sinun pitää vaihtaa katkaisin korkealle käynnistysjännitevirtalle tarkoitettuun tyyppiin. Tämä vika ei kuulu takuun piiriin. Kyseessä on asia, johon emme valmistajana voi vaikuttaa.

Laitteen avaaminen ja kokoontaittaminen (kuva F1-F2)

Laite voidaan avata käyttöä varten (kuva F1) ja taittaa kokoon kuljetusta ja säilytystä varten (kuva F2).

Katso piirroksista oikea tapa laitteen avaamiseen ja taittamiseen kokoon.



VAROITUS

- Juoksualustan voi nostaa säilytysasentoon vain, mikäli alustan kulma on 0%. Mikäli kulma on jokin muu, säilytysasentoon nostaminen vahingoittaa lukitusmekanismeja!

Ohjauspaneeli (kuva. E-1)



HUOMAUTUS

- Pidä ohjauspaneeli pois suorasta auringonvalosta.
- Kuivaa ohjauspaneelin pinta, jos siihen on tippunut hikeä.
- Älä nojaa ohjauspaneeliin.
- Kosketa näyttöä vain sormenpäälläsi. Älä kosketa näyttöä kynsilläsi tai terävillä esineillä.

**ILMOITUS**

- Ohjauspaneeli siirtyy valmiustilaan, kun laitetta ei ole käytetty 4 minuuttiin.

Painikkeet**Stop painike:**

- Käynnistää tai pysäyttää (Tauko) harjoituksen.
- Nollaa konsoli painamalla ja pitämällä pohjassa 2 sekunnin ajan "pysäytystilassa"

Nopeus + (Jänis)

- Lisää nopeutta (1.0 - 16 km/h).
- Yksi painallus lisää nopeutta 0,1 km/h.
- Painamalla ja pitämällä pohjassa kahden sekunnin ajan voi kasvattaa nopeutta nopeammin.
- Selaa ohjelmia ja muuta arvoja ohjelmointitilassa.

Nopeus - (Kilpikonna)

- Pienentää nopeutta (1.0 - 16 km/h).
- Yksi painallus pienentää nopeutta 0,1 km/h.
- Painamalla ja pitämällä pohjassa kahden sekunnin ajan voi pienentää nopeutta nopeammin.
- Selaa ohjelmia ja muuta arvoja ohjelmointitilassa.

Rinne +

- Suurentaa kulmaa (0%~10% ±1 %).

Rinne -:

- Pienentää kulmaa (0%~10% ±1 %).

Mode

- Vahvista asetus siirtyäksesi ohjelmointitilan seuraavaan vaiheeseen.
- Harjoittelutilassa voit muuttaa parametrejä Step/ Distance & Pulse/ Calories-ikkunassa.

Prog

- Valitse ohjelman tila

Start

- Aloita valitsemasi harjoitus

Speed pikapainikkeet

Nopeudensäädön pikapainikkeiden arvot ovat: 2, 6, 8, 10, 12, & 16 km/h.

Pikapainikkeen avulla matto muuttua kiihdyttää tai hidastaa painikkeen osoittamaan nopeuteen.

Incline pikapainikkeet

Juoksumaton kulman pikapainikkeiden arvot ovat: 2, 6, 8, 10 & 12 %

Pikapainikkeen avulla matto muuttua kulmansa

Näytön kohtien selitykset**(Kuva. H)****Speed**

- Näyttää juoksumaton tämänhetkisen nopeuden harjoittelutilassa.
- Näyttää tavoitenopeuden ohjelmointitilassa.

Incline

- Näyttää juoksumaton tämänhetkisen kulman harjoittelutilassa.
- Näyttää tavoitekulman ohjelmointitilassa.
-

Distance

- Näyttää juostun matkan harjoittelutilassa.
- Näyttää tavoitematkan ohjelmointitilassa.
- Näyttää ohjelmavalinnan ohjelmointitilassa.

Time

- Näyttää tähänastisen juoksuajan harjoittelutilassa.
- Näyttää tavoiteajan ohjelmointitilassa.

Pulse

- Näyttää sykkeen harjoittelutilassa tai kirjaimen "P", silloin kun sykettä ei mitata.

Calories

- Näyttää kulutetut kalorit harjoittelutilassa.

**HUOM**

- Nämä tiedot ovat karkeita ohjeita erilaisten harjoittelujen vertailua varten, eikä niitä voida käyttää lääketieteellisen hoidon pohjana.

i HUOM

- Näyttö "Step/ Distance" & "Pulse/ Calories" päivittyy 5 sekunnin välein.
- "MODE"-painikkeella voit pysäyttää näytön tai aloittaa skannauksen uudelleen pysäytystilassa.

Ohjelmat

Quick start

- Paina "START"-painiketta aloittaaksesi harjoittelun ilman ennalta määritettyjä asetuksia.
- Juoksumatto käynnistyy 1,0 km/h:n miniminopeudella ja säilyttää nykyisen kulma-asetuksen.
- Voit milloin tahansa säätää nopeutta/kulmaa halutessasi muuttamalla harjoitustasi, ja voit myös lopettaa/keskeyttää harjoituksen milloin tahansa.

Manuaalinen tila

- Avaa ohjelmointitila painamalla MODE/ ENTER-painiketta.
- Valitse "PO"-ohjelma painamalla "PROG"-painikkeita, ja vahvista painamalla "MODE"-painiketta.
- Aseta haluamasi harjoitusaikea painamalla "SPEED +/-"-painikkeita
Oletusharjoitusaikea on 30:00 minuuttia. Säädettävissä välillä 10:00~99:00 min.

i HUOM

- Jos asetukseksi määritetään 0:00 minuuttia, harjoittelu ei pysähdy, ellei laitetta pysäytetä manuaalisesti.
- Aloita harjoitus painamalla "START"-painiketta.

Lopeta harjoituksesi

- Voit keskeyttää harjoituksesi milloin tahansa painamalla kerran "STOP"-painiketta. Näytölle tulee "PAUS", kun valittuna on taukotila.
- Jatka harjoittelua "PAUSE"-tilan jälkeen painamalla "START"-painiketta.
- Lopeta harjoitus ja nollaa konsoli painamalla ja pitämällä pohjassa "STOP"-painiketta.

Valmishjelmat (P1~P36)

Laitteessa on 36 valmishjelmaa, joilla on erilaiset profiilit. (kuva. G)

- Avaa ohjelmointitila painamalla MODE/ ENTER-painiketta.
- Valitse "P1~P36"-ohjelma painamalla "PROG"-painikkeita, ja vahvista painamalla "MODE"-painiketta.
- Aseta haluamasi harjoitusaikea painamalla "SPEED +/-"-painikkeita
Oletusharjoitusaikea on 30:00 minuuttia. Säädettävissä välillä 10:00~99:00 min.

i HUOM

- Jos asetukseksi määritetään 0:00 minuuttia, harjoittelu ei pysähdy, ellei laitetta pysäytetä manuaalisesti.
- Aloita harjoitus painamalla "START"-painiketta.

Käyttäjähjelmat (U-01~U-03)

Laitteessa on 3 käyttäjähjelmaa.

Jokaista käyttäjähjelmaa voi muokata omien tarpeiden mukaan.

Jokaisessa käyttäjähjelmassa on enintään 12 vaihetta.

Nopeus ja kulma voidaan määrittää jokaiseen vaiheeseen erikseen.

Jokainen vaihe kestää 1/12 kokonaisharjoitusajasta.

- Avaa ohjelmointitila painamalla MODE/ ENTER-painiketta.
- Valitse "U-01~U-03"-ohjelma painamalla "PROG"-painikkeita, ja vahvista painamalla "MODE"-painiketta.
- Aseta haluamasi harjoitusaikea painamalla "SPEED +/-"-painikkeita

Oletusharjoitusaika on 30:00 minuuttia.
Säädettävissä välillä 10:00~99:00 min.
Näytöllä "Distance" lukee "01".

- Aseta nopeus painamalla "SPEED +/-"-painikkeita. Aseta kulma painamalla "INCLINE +/-"-painikkeita. Vahvista painamalla "MODE"-painiketta. Näytöllä "Distance" lukee "02"
- Toista edellä mainitut toimet ja määritä muut vaiheet.
- Käynnistä ohjelma painamalla "START"-painiketta.

Kehon rasvan mittaus

Kehonrasvaohjelma on ohjelma, jolla pyritään määrittämään fyysinen kuntosi kehosi parametrien ja sykkeesi perusteella.

- Avaa ohjelmointitila painamalla MODE/ENTER-painiketta.
- Valitse "FAT"-ohjelma painamalla "PROG"-painikkeita, ja vahvista painamalla "MODE"-painiketta.
- Näytöllä "Distance" lukee "F1"
Näytöllä "Distance" lukee "1"
Aseta arvo painamalla "SPEED +/-"
Arvoalueella: 1: Mies / 2: Nainen
and confirm with the "MODE" button.
- Näytöllä "Distance" lukee "F2" (lk)
Näytöllä "Distance" lukee "25"
Aseta arvo painamalla "SPEED +/-"
Arvoalueella: 10~99
and confirm with the "MODE" button.
- Näytöllä "Distance" lukee "F3" (pituus)
Näytöllä "Distance" lukee "170"cm
Aseta arvo painamalla "SPEED +/-"
Arvoalueella: 100~200
and confirm with the "MODE" button.
- Näytöllä "Distance" lukee "F4" (paino)
Näytöllä "Distance" lukee "70"kg
Aseta arvo painamalla "SPEED +/-"
Arvoalueella: 20~150
and confirm with the "MODE" button.
- Näytöllä "Distance" lukee "F5" (aktivoitu)
Näytöllä "Distance" lukee "- - -" (mitata)



HUOMAUTUS

- Tämä toiminto edellyttää käsikahvan kosketuksella toimivista sykemittauslevyistä kiinnipitämistä.

Tuloksen laskenta:

- FAT 0 ~17 Alipainoinen
 - FAT 18 ~ 27 Normaali
 - FAT 28 ~ plus Ylipainoinen
- BF = kehon rasvan mittaus (%-osuutena)
 - Virhekoodi "ER" tulee näytölle, jos kehon rasvan mittausprosessin aikana ei havaittu sykettä.
 - Poistu rasvanmittausohjelmasta painamalla "MODE"-painiketta.

Takuu

Tunturi-kuntolaitteen omistajan takuu

Takuuehdot

Kuluttajalla on sovellettavan kulutustavaroiden kauppaa koskevan kansallisen lainsäädännön mukaiset lailliset oikeudet, eikä takuulla rajoiteta näitä oikeuksia. Omistajan Takuu on voimassa vain, mikäli laitetta käytetään Tunturi New Fitness BV:n kyseiselle laitteelle sallimassa käyttöympäristössä. Kunkin laitteen sallittu käyttöympäristö mainitaan laitteen käyttöohjeessa.

Takuuehdot

Takuuehdot tulevat voimaan tuotteen ostopäivästä lukien. Takuuehdot voivat olla erilaiset eri maissa, joten pyydä takuuehdot paikalliselta jälleenmyyjältä.

Takuun kattavuus

Missään olosuhteissa Tunturi New Fitness BV tai Tunturi-jälleenmyyjä ei vastaa ostajalle mahdollisesti aiheutuvista välillisistä vahingoista, kuten käyttöhyödyn tai tulojen menetyksestä taikka muista taloudellisista seurausvahingoista.

Takuun rajoitukset

Takuu kattaa työstä ja materiaalista johtuvat virheet kuntolaitteessa, joka on alkuperäisessä kokoonpanossaan. Takuu koskee vain virheitä, jotka ilmenevät normaalissa ja laitteen mukana tulleen ohjekirjan mukaisessa käytössä edellyttäen, että Tunturin asennus-, huolto- ja käyttöohjeita on

noudatettu. Tunturi New Fitness BV:n ja Tunturin jälleenmyyjät eivät vastaa virheistä, jotka aiheutuvat heidän vaikutusmahdollisuuksiensa ulkopuolella olevista seikoista. Takuu on voimassa vain niissä maissa, joissa Tunturi New Fitness BV:llä on valtuutettu maahantuojia. Takuu ei koske sellaisia kuntolaitteita tai osia, joita on muutettu ilman Tunturi New Fitness BV:n suostumusta. Takuu ei koske virheitä, jotka johtuvat luonnollisesta kulumisesta, virheellisestä käytöstä, käytöstä olosuhteissa, joihin kuntolaitetta ei ole tarkoitettu, korroosioista tai lastaus- tai kuljetusvahingoista.

Takuu ei koske käyttöäniä, jotka eivät olennaisesti haittaa laitteen käyttöä eivätkä johdu laitteesta olevasta virheestä. Takuu ei myöskään sisällä kunnossapitotoimenpiteitä, kuten puhdistusta, voitelua tai sen osien normaalia tarkistamista, eikä sellaisia asennustoimenpiteitä, jotka asiakas voi suorittaa itse ja jotka eivät edellytä erityistä kuntolaitteen purkamista / kokeamista. Tällaisia toimenpiteitä ovat esim. mittareiden, polkimien tai muiden vastaavien yksinkertaisten osien vaihdot. Muun kuin valtuutetun Tunturi-edustajan suorittamia takuukorjauksia ei korvata. Laitteen käyttöohjeen noudattamatta jättäminen aiheuttaa takuun raukeamisen.

Puhdistus ja huolto



VAROITUS

- Poista pistoke pistorasiasta ennen puhdistusta ja huoltoa.
- Älä käytä liuottimia laitteen puhdistukseen.
- Älä peitä tuuletusaukkoja. Pidä tuuletusaukot puhtaana pölystä, liasta ja muista esteistä.
- Puhdista laite pehmeällä, imukykyisellä kankaalla jokaisen käytön jälkeen.
- Puhdista laitteen näkyvät osat pölynimurilla käyttäen pientä imupäätä.
- Tarkista säännöllisesti kaikkien ruuvien ja mutterien olevan tiukasti kiinni.

Matto ja juoksualusta

Juoksumatossa on hyvin tehokas ja alhaisen

kitkan omaava juoksualue. Suoritukset voidaan maksimoida pitämällä juoksualusta niin puhtaana kuin mahdollista. Pyyhi pehmeällä, kevyesti kostutetulla liinalla tai paperipyhkeellä maton reunat sekä maton reunojen ja rungon välinen alue. Puhdista mahdollisuuksien mukaan myös maton reunojen alta. Tämä pitäisi tehdä kerran kuussa maton ja juoksualustan käyttöiän pidentämiseksi. Käytä pelkkää vettä. Älä käytä puhdistus- tai hankausaineita. Strukturoidun maton yläpuolen voi puhdistaa miedolla saippuavedellä ja nailonharjalla. Anna maton kuivua ennen käyttöä.

Voitelu (kuva F-4)

Juoksumatto on tarkistettava voitelua varten 2 kuukauden välein, perustuen keskimääräiseen 60 minuutin päivittäiseen käyttöön.



VAROITUS

- Poista virtajohdon pistoke pistorasiasta ennen voitelua.



HUOMAUTUS

- Voitele juoksumatto vain tarvittaessa. Jos laitat liikaa voiteluainetta, juoksumatto lipsuu herkästi kitkan puuttumisesta johtuen.

- Seiso vakaasti juoksumatolla.
- Pidä kiinni etukäsituesta ja työnnä juoksumattoa jaloillasi niin, että se liukuu edestakaisin. Juoksumaton on liikuttava pehmeästi ja tasaisesti ääntä pitämättä.
- Jos juoksumatto ei liiku pehmeästi ja tasaisesti tai, jos juoksumatto ei liiku ollenkaan, kosketa juoksumaton alapuolta sormenpäilläsi voitelun tarkistamiseksi:
 - Jos tunnet voiteluaineen tai sormesi ovat kiiltävät, juoksumatossa on riittävästi voiteluainetta.
 - Jos et tunne voiteluainetta, tai sormenpäisi ovat pölyiset tai ne tuntuvat karkeilta, laita voiteluainetta (15-20 ml) keskelle juoksumattoa juoksumaton alle ja anna laitteen käydä 5 km/h nopeudella vähintään 5 minuuttia.
 - Älä kokoontaita laitetta voitelun jälkeen ennen kuin olet suorittanut 20 minuutin

harjoituksen vähintään 5 km/h nopeudella. Voiteluaine leviää tasaisesti yli koko juoksumaton.

Matolle kertyvä pöly

Pölyä esiintyy tavanomaisen käyttöönoton aikana tai siihen asti kun matto vakautuu. Pyyhi mattoon mahdollisesti kerääntyvä pöly pois kevyesti kostutetulla liinalla.

Peruspuhdistus

Lika, pöly ja lemmikkieläinten karvat voivat tukkia laitteen ilma-aukot ja kerääntyä mattoon. Estä epäpuhtauksien kerääntyminen imuroimalla kuukausittain kuntolaitteen alta. Kaksi kertaa vuodessa sinun pitäisi irrottaa moottorin musta suojus ja imuroida sen alle kerääntynyt pöly. IRROTA ENSIN VERKKOJOHDON PISTOKE PISTORASIASTA

Maton säädöt:

Maton kireyden säätö - Kireys säädetään takatilasta. Säätöruuvit sijaitsevat reunalevyjen päätysuojuksissa mukaisesti.

Maton keskittäminen

- Takatelan ruuveja on kiristettävä (myötäpäivään) vain sen verran, että etutela ei enää luista. Kierrä kumpaakin kireydensäätöruuvia 1/4 kierroksen askelissa ja tarkista välillä maton kireys kävelemällä matolla alhaisessa nopeudessa, varmistaen että matto ei luista. Jatka säätöruuvien kiristämistä, kunnes matto ei enää luista.
- Jos matto tuntuu sinusta riittävän kireältä mutta se luistaa edelleen, ongelma voi johtua siitä, että etusuojuksen alla sijaitseva moottorin käyttöhihna on löysällä.
- Älä Kiristä Liikaa: Liiallinen kiristäminen voi vahingoittaa mattoa ja aiheuttaa laakerien ennenaikaisen vaurioitumisen.

Maton kulku ja keskitys:

Juoksumaton hyvä toiminta riippuu siitä, lepääkö runko riittävän tasaisella alustalla. Jos runko ei ole aivan vaakasuorassa, etu- ja takatela eivät pyöri tasaisesti, ja matto tarvitsee toistuvasti säätämistä.

Juoksumatto on suunniteltu siten, että matto pysyy riittävän keskellä käytön aikana. On

aivan normaalia, että jotkut matot kulkeutuvat kohti toista laitaa, jos käynnissä olevassa laitteessa ei ole harjoittelijaa. Kun laitetta on käytetty muutama minuutti, maton kuuluu kuitenkin keskittyä itsestään. Jos matto siirtyy käytön aikana jatkuvasti toiseen laitaan, sitä on säädettävä.

Poikkeus: Kun juoksumattoa käytetään kuntoutukseen, ja kuntoutuja käyttää jompaakumpaa jalkaa toista jalkaa voimakkaammin, matto saattaa siirtyä toiseen laitaan. Tällaisessa tapauksessa mattoa ei pidä säätää. Sitä tulisi säätää vasta, jos matto ei tavallisessakaan harjoittelukäytössä keskity itsestään.

Maton keskityksen säätö: (kuva F-5)

Juoksumaton mukana on toimitettu 10 mm:n koloavain takatelan säätämistä varten. Keskitystä säädetään vain telan vasemmassa reunassa olevasta ruuvista. Aseta maton nopeudeksi n. 3–5 km/h.

Muista, että pienelläkin säädöllä voi olla suuri vaikutus!

Kierrä ruuvia myötäpäivään, jos haluat siirtää mattoa oikealle. Vastapäivään kiertämällä saat maton siirtymään vasemmalle. Kierrä ruuvia vain 1/4 kierrosta ja odota muutama minuutti, että matto ehtii mukautua säätöön. Jatka ruuvien kiertämistä 1/4 kierroksen askelissa, kunnes matto vakautuu juoksualueen keskelle.

Matto saattaa vaatia säännöllistä keskitystä laitteen käytöstä ja harjoittelijan kävely- tai juoksuavasta riippuen. Eri käyttäjillä on erilainen vaikutus maton kulkuun. On todennäköistä, että joudut jossakin vaiheessa säätämään maton keskitystä. Kun mattoa käytetään, säädöt tulevat tutuiksi ja niistä on vähemmän huolta. Maton keskittäminen on juoksumaton omistajan vastuulla kaikissa juoksumatoissa.

HUOM

- Maton vahingoittuminen huonosti toteutetun keskityksen tai kireyden säädön seurauksena ei kuulu takuun piiriin.

Käyttöhäiriöt

Jatkuvasta laaduntarkkailusta huolimatta laitteessa saattaa esiintyä yksittäisistä komponenteista johtuvia yksilövikoja tai toimintahäiriöitä. Koko laitteen toimittaminen korjattavaksi on yleensä tarpeetonta, sillä vika on useimmiten korjattavissa ko. osan vaihdolla.

Mikäli laitteen toiminnassa ilmenee häiriöitä käytön aikana, ota välittömästi yhteys laitteen myyjään. Ilmoita laitteesi malli ja sarjanumero (sarjanumerotarran sijainnin näet tämän käyttöohjeen etukannen sisäpuolelta). Ilmoita lisäksi häiriön luonne, laitteen käyttöympäristö sekä ostopäivämäärä.

Mikäli tarvitset laitteeseesi varaosia, ota yhteys laitteen myyjään. Ilmoita aina laitteen malli, sarjanumero sekä tarvittavan osan varaosanumero. Varaosaluettelon löydät tämän oppaan lopusta. Laitteessa saa käyttää vain varaosalistassa mainittuja osia.

Virhekoodit

Jos näytöllä näkyy virhekoodi ("E"/ "DC" + numero), käynnistä laite uudelleen ja tarkista näkykö virhekoodi edelleen näytöllä. Jos virhekoodi näkyy edelleen näytöllä, ota välittömästi yhteys jälleenmyyjään.

Kuljetus ja säilytys



VAROITUS

- Poista pistoke pistorasiasta ennen puhdistusta ja huoltoa.
- Vähintään kahden henkilön on kannettava ja siirrettävä laitetta.
- Varmista, ettei muita henkilöitä tai esineitä ole laitteen alla.
- Kokoonlaittaessasi laitetta varmista, että kuulet laitteen lukittuvan paikalleen estäen laitteen putoavan uudelleen alas.



HUOMAUTUS

- Varmista nousukulman olevan 0 % ennen laitteen kokoonlaittoa. Jos nousukulma ei ole 0 %, kokoonlaitto vaurioittaa mekanismia.

- Siirrä laite näytetyn mukaisesti (kuva F3). Siirtäkää laite ja laskekaa se varovasti alas. Asettakaa laite suojajalustalle lattiapinnan vaurioiden estämiseksi. Siirrä laitetta varovasti epätasaisilla pinnoilla. Älä siirrä laitetta yläkertaan pyöriä käyttäen. Suorita siirto kahvatuista kantaen.
- Säilytä laitetta pystyasennossa (kuva F1). Säilytä laitetta kuivassa, mahdollisimman tasalämpötilaisessa paikassa.

Lisätietoa laitteen omistajalle

Pakkauksen hävittäminen

Lainsäädäntö ohjeistaa meitä vähentämään kaatopaikoille toimitetun jätteen määrää. Sen vuoksi pyydämme sinua toimittamaan kaikki pakkausjätteet sitä varten tarkoitettuun kierrätyspisteeseen.

Laitteen hävittäminen käyttöiän päätyessä

Me Tunturilla toivomme, että iloitset kuntolaitteestasi vuosia. Jokainen kuntolaite tulee kuitenkin aikanaan oman käyttöikänsä loppuun. Kotitalouksien sähkö- ja elektroniikkalaiteromua käsittelevien eurooppalaisten määräysten (WEEE) mukaan sinun kuuluu toimittaa kuntolaitteesi sitä varten tarkoitettuun keräyspaikkaan.

Valmistajan vakuutus

Tunturi New Fitness BV vakuuttaa tuotteen täyttävän seuraavien standardien ja direktiivien vaatimukset: EN 957 (HB), 89/336/ETY. Tässä tuotteessa on sen vuoksi CE-merkki..

01-2017

Tunturi New Fitness BV
Purmerweg 1
1311 XE Almere
Alankomaat

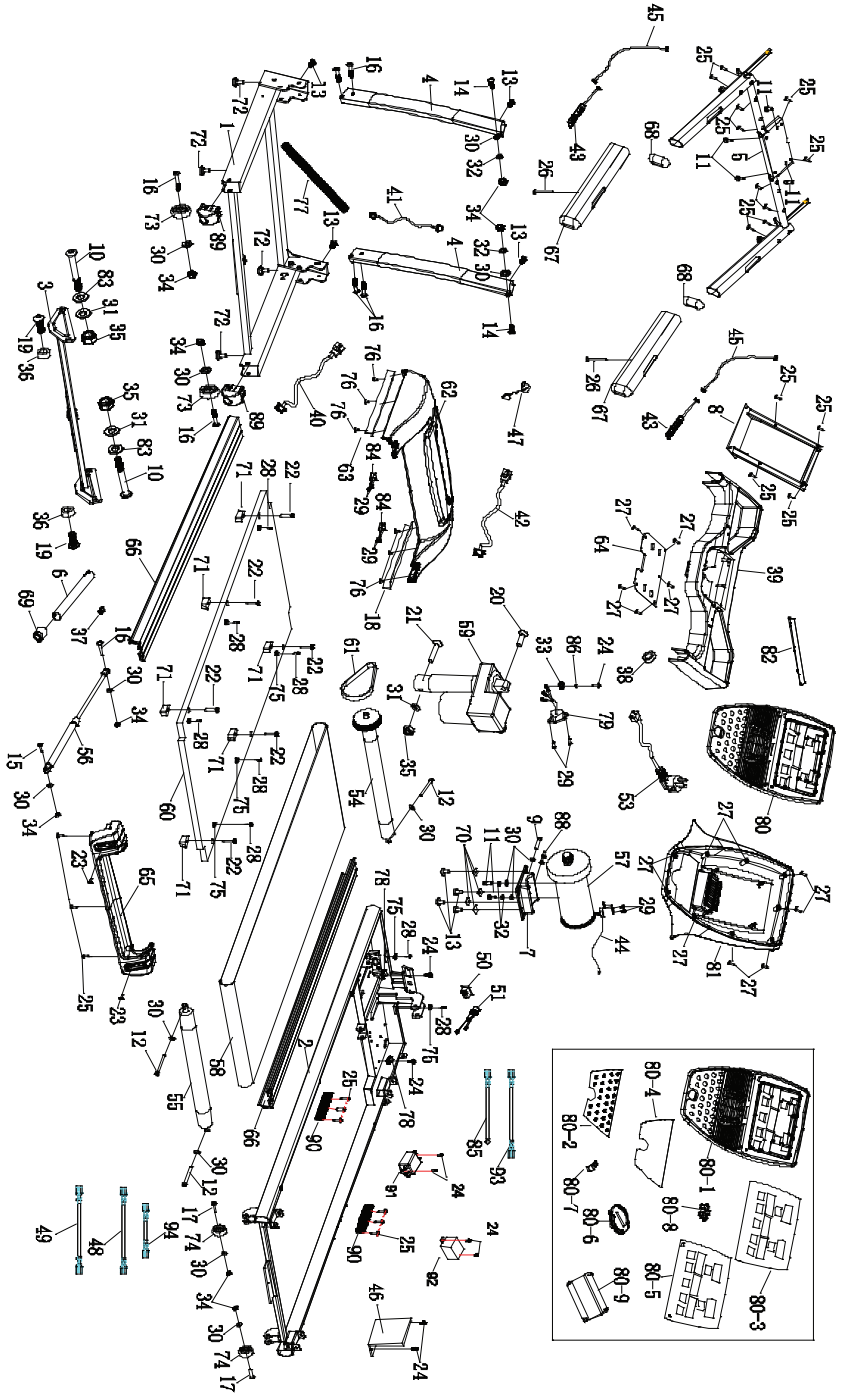
Vastuuvapauslauseke

© 2017 Tunturi New Fitness BV
Kaikki oikeudet pidätetään.

Tuote ja käyttöopas saattavat muuttua. Teknisiä tietoja saatetaan muuttaa ilman eri ilmoitusta.

NO	NAME	Qty
1	Base frame	1
2	Main frame	1
3	Incline frame	1
4	Upright post	2
5	Console frame	1
6	Ezfit linking parts	1
7	Motor base frame	1
8	Computer display frame	1
9	Hex full thread screw M8×75	1
10	Allen C.K.S. 1/2 thread screw M10×80×20	2
11	Allen cylinder full thread screw M8×15	2
12	Allen cylinder full thread screw M8×75	3
13	Allen C.K.S. 1/2 thread screw M8×15	8
14	Allen cylinder 1/2 thread screw M8×25	2
15	Allen C.K.S. 1/2 thread screw M8×30×20	1
16	Allen C.K.S. 1/2 thread screw M8×50×20	7
17	Allen C.K.S. 1/2 thread screw M8×40×20	2
18	Motor cover (right) fixing board frame	1
19	Allen C.K.S. full thread screw M10×25	2
20	Allen C.K.S. 1/2 thread screw M10×60×20	1
21	Allen C.K.S. 1/2 thread screw M10×35×20	1
22	Allen countersunk head full thread screw M6×50× 16	6
23	PH C.K.S. full thread screw M5×10	6
24	PH C.K.S. full thread screw M4×10	7
25	PH C.K.S. self-tapping screw ST4×16	22
26	PH C.K.S. self-tapping screw ST4×50	2
27	PH C.K.S. self-tapping screw ST4×16	13
28	PH countersunk head self-tapping screw ST4×15	6

29	PH countersunk head self-tapping screw ST3×10	8	65	Rear cover	1
			66	Side rail	2
30	Flat washer 8	15	67	Foam grip	2
31	Flat washer 10	3	68	Elliptical round end cap	2
32	Spring Washer 8	4	69	Double round end cap	1
33	External toothed lock screw 5	3	70	Square cushion	4
34	Hexagonal lock nut M8	8	71	Square cushion	6
35	Hexagonal lock nut M10	3	72	Foot pad	4
36	Powder metallurgy sleeve	2	73	Wheel	2
37	Washer	1	74	Wheel	2
38	Magnet ring	1	75	Side rail guider	8
39	Console housing	1	76	PH C.K.S. self-tapping screw	6
40	Communication wire(L-1200mm)	1	77	Wire protector -2	1
41	Communication wire(L-800mm)	1	78	Cable binder	2
42	Communication wire(L-700mm)	1	79	Power cord Socket	1
43	Quick button Incline and Hand pulse set	1	80	Console	1
44	Speed sensor	1	81	Console back cover	1
45	Hand pulse wire	2	82	IPAD/Phone holder	1
46	Controller	1	83	Plastic flat washer	2
47	Safety key	1	84	Motor cover limit piece	2
48	Power connecting wire L-350mm(red)	1	85	Connectiong wiring (Ground wiring)	1
49	Power connecting wire L-350mm(black)	1	86	Spring Washer 8	3
50	Switch	1	87	PH pan head self-tapping screw ST4×10	13
51	Automatic reset switch	1	88	Bolt welding of top motor	1
52	Quick button speed and Hand pulse set	1	89	Curved opening plug	2
53	Seperated end power cord	1	90	Cushion	2
54	Front roller	1	91	Filter	1
55	Rear roller	1	92	Inductance	1
56	Cylinder	1	93	Power connecting wire L-300mm (red)	1
57	Motor	1	94	Power connecting wire L-100mm (red)	
58	Running belt	1			
59	Incline motor	1			
60	Running deck	1			
61	Motor belt	1			
62	Motor cover	1			
63	Motor cover (L) fixing board frame	1			
64	Computer cover plate	1			





Tunturi New Fitness BV

Purmerweg 1 NL - 1311 XE Almere
P.O. Box 60001 NL - 1320 AA Almere
The Netherlands

www.tunturi-fitness.com