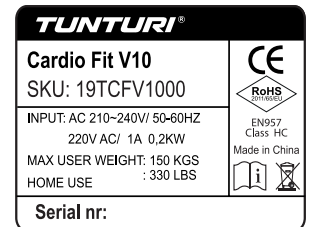


# TUNTURI®

## Cardio Fit Vibration Plate V10

<b>GB</b>	<b>User manual</b>	<b>06 - 10</b>
DE	Benutzerhandbuch	11 - 15
FR	Manuel de l'utilisateur	16 - 20
NL	Gebruikershandleiding	21 - 25
IT	Manuale d'uso	26 - 30
ES	Manual del usuario	31 - 35
SV	Bruksanvisning	36 - 40
SU	Käyttöohje	41 - 45



**Attention, Achtung, Attention, Attentie, Attenzione, Atención, Giv akt, Huomio**

- **Please read this user manual carefully prior to using this product.**
- Lesen Sie sich vor dem Gebrauch des Produkts diese Bedienungsanleitung sorgfältig durch.
- Veuillez lire attentivement le présent manuel de l'utilisateur avant d'utiliser ce produit.
- Lees deze gebruikershandleiding zorgvuldig voordat u dit product gaat gebruiken.
- Leggere attentamente questo manuale dell'utente prima di utilizzare il prodotto.
- Antes de utilizar este producto, lea atentamente este manual de usuario.
- Läs den här användarhandboken noggrant före användning av den här produkten.
- Lue tämä käyttöohje huolellisesti ennen tämän tuotteen käyttöä.

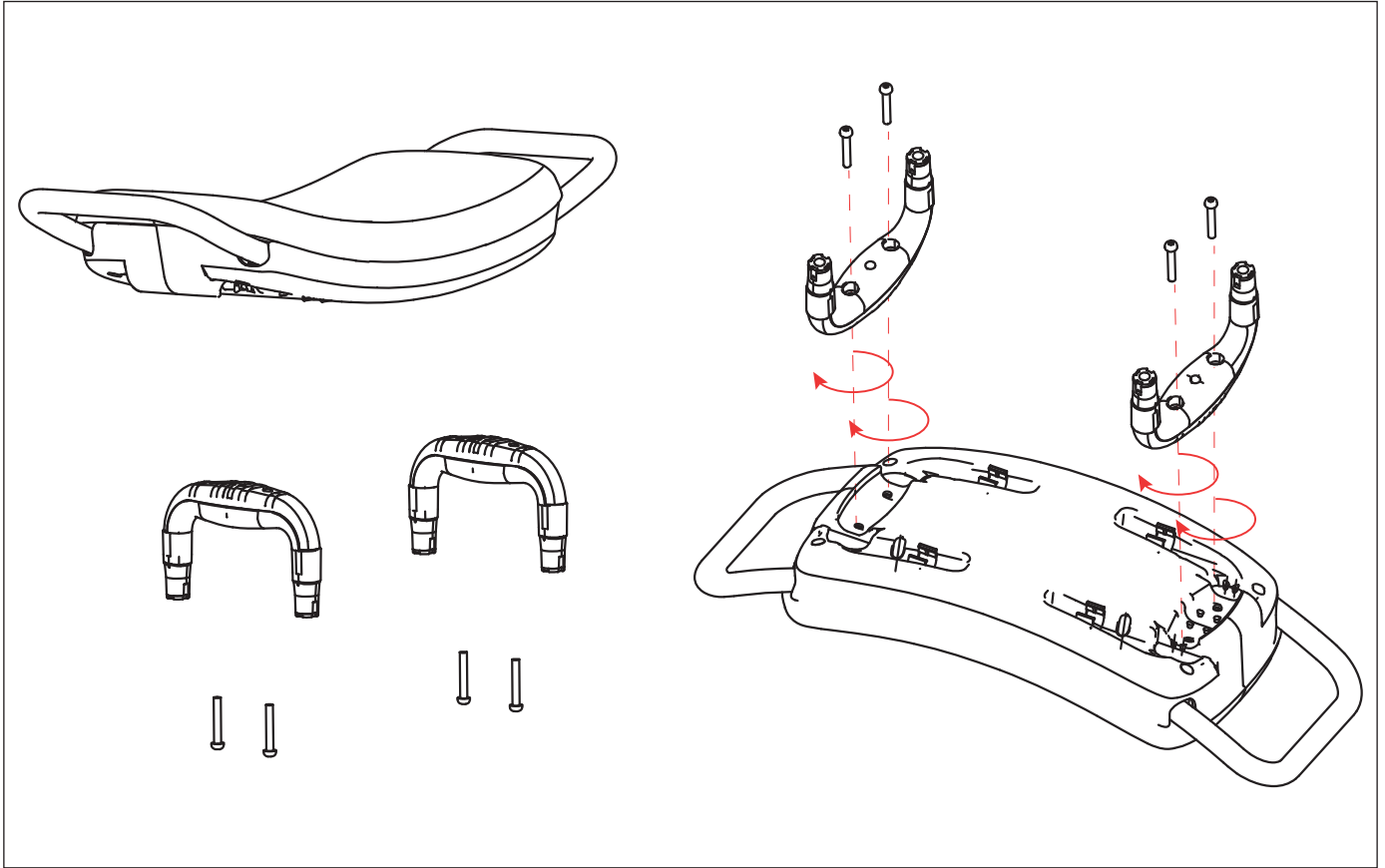




A



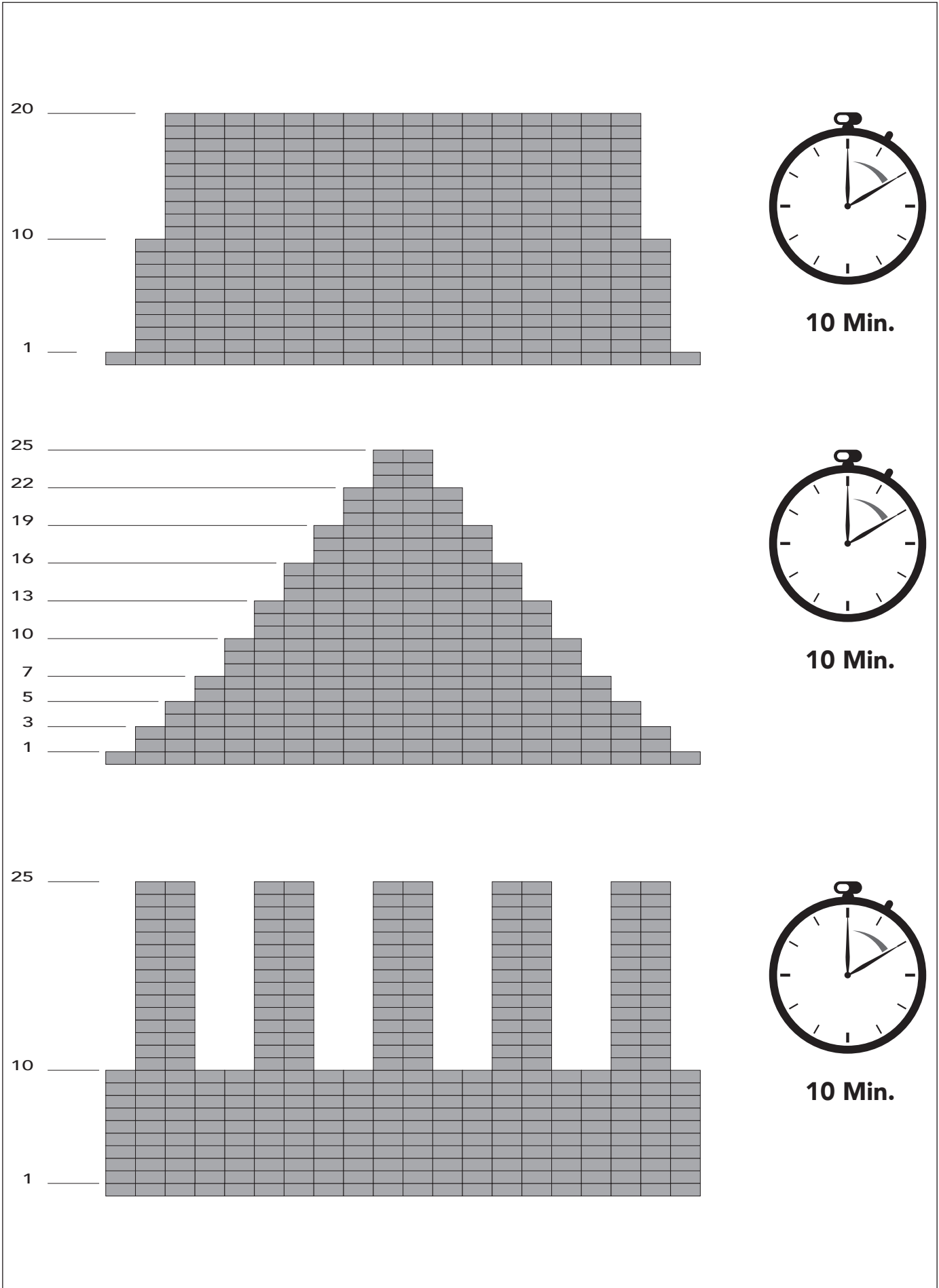
**B**



**C**



# D





<b>Index</b>	
<b>Welcome</b> .....	<b>6</b>
<b>Safety Precautions</b>	
<b>Environment for use</b> .....	<b>6</b>
<b>Explanation of illustrations</b> .....	<b>7</b>
Description illustration A .....	7
Description illustration B .....	7
Description illustration C .....	7
Description illustration D .....	7
<b>Exercising</b> .....	<b>7</b>
Posture .....	7
Additional resistance ropes .....	7
Attach seat to base frame .....	7
<b>Console</b> .....	<b>8</b>
Explanation of buttons .....	8
Remote control .....	8
Explanation Display functions .....	8
<b>Storage and Maintenance</b> .....	<b>9</b>
Surface cleaning .....	9
Additional information .....	9
<b>Troubleshooting</b> .....	<b>9</b>
<b>Warranty</b> .....	<b>9</b>
<b>Technical data</b> .....	<b>10</b>
<b>Declaration of the manufacturer</b> .....	<b>10</b>
<b>Disclaimer</b> .....	<b>10</b>

## Welcome

Welcome to the world of Tunturi!  
 Thank you for purchasing this piece of Tunturi equipment.  
 Tunturi offers a wide range of home fitness equipment, including  
 crosstrainers, treadmills, exercise bikes, rowers, strength benches and  
 multi stations. The Tunturi equipment is suitable for the entire family,  
 no matter what fitness level. For more information, please visit our  
 website [www.tunturi.com](http://www.tunturi.com)

## Important Safety Instructions

This manual is an essential part of your training equipment please read all instructions in this manual before you start using this equipment. The following precautions must always be followed:

### Safety Precautions Environment for use

- Do not use the vibration plate in humid or dusty environment to avoid electric shock or break down of the mechanical parts.
- Do not use the vibration plate when indoor temperature is over 40°C.
- Do not use the vibration plate in the open air or under the direct sunlight.
- Place the vibration plate on flat floor.

#### DANGER

- Please wait for one hour before using the vibration plate when it is moved from low to high temperature, to prevent water vapour from condensing on the machine and resulting in any failure .

### People with health conditions below are not suggested to use the vibration plate.

- It is strongly advised to consult your doctor before use, especially for patients who are under treatment or do not feel well.
- Patients with malignant tumour.
- Pregnant women or in menstrual period.
- People with heart disease, osteoporosis patients.
- People heart pacemaker or other medical electronic instrument implanted.
- People with artificial limb;
- People who are sensitive to vibration and strenuous exercise.

### © Notices during operation

- Before use, please undress watch, bangle, cell phone or other valuable objects, and keys, knife or other incisive objects to avoid damage or body injury.
- Do not smoke while using the vibration plate.
- Do not use the vibration plate together with other medical equipments.
- Do not use the vibration plate for medical treatment purpose.
- Do not use the vibration plate right after a meal or drink.
- During use, please keep children and/ or pets away from the vibration plate.
- It is forbidden to put fingers or other foreign bodies into the gap between the middle cover and base cover.
- Supervision is needed for child under 10 years and the aged over 60 years during using the vibration plate.
- The load capability of the vibration plate is 150kg (330lbs), people over this weight are not suggested to use the vibration plate.
- This vibration plate is only limited for one-person use.

#### WARNING

- Unauthorized dismantle, disassembly or renovation is not allowed to prevent electrical shock or any malfunctions. Please contact manufacturer or local dealer immediately if there is any service work needed.

### Stop using the vibration plate and unplug power cord from the power supply immediately under below conditions.

- Water or other liquid is accidentally splashed onto the vibration plate or controller.
- Any accessory is found damaged or internal component is exposed.
- Feel abnormal or severe pain during use.
- Power failure.
- Thundering or lighting weather.

### Plug and power cord

- Check if the voltage complies with the one specified for the vibration plate.
- Do not retract the power plug with wet hand to prevent electric shock.
- Hold the plug rather than the power cord to pull out the power cord.
- Turn off the power switch and remove the plug from the power supply in case of electrical failure or if not in use for a long time.
- Stop using the vibration plate if the power cord has any damage, turn off the power switch, pull the plug, and replace the power cord or contact technicians for repair.
- Do not run the mains cable underneath the equipment. Do not run the mains cable underneath a carpet. Do not place any objects on the mains cable.

## Explanation of illustrations

### Description illustration A

The illustration shows what components and parts you should find when un-boxing your product.

#### NOTE

- Small parts can be hidden/ packed in hollow spaces in the Styrofoam product protection
- If a part is missing, contact your dealer.

### Description illustration B

The illustration shows how to fit the handles onto the seat cushion frame.

#### NOTE

- The screwdriver required for this assembly is not included in the carton.

### Description illustration C

The illustration shows the control panel button overlay and remote control.

### Description illustration D

The illustrations shows the pre programmed program profiles.

## Exercising

It is recommended to train 2-3 sessions per week for exercising. As with other (cardiovascular) workouts it is recommended to keep your own pace. Start training according to your own fitness level, and at a low intensity, and increase the intensity of your training according to your personal health.

### Posture

- In general, you should feel comfortable doing the exercises.
- Always make sure your back is straight, and try to avoid 'hanging' on the machine.
- All exercises and stretching should be done 'actively', whereas in massaging or relaxing you can release the tension in the muscles.
- Keep your abdominal muscles tensed to make the workout more effective.
- At all exercises you should bend your knees, and not 'lock' any joints or straighten your legs during exercise. The vibration should go through the muscles, not through the joints.

#### WARNING

- When you feel a very high vibration up to your head, your posture is incorrect.

### Additional resistance ropes

Your trainer comes with additional resistance ropes that can be used to intensify or vary your workout as you please.

#### WARNING

- The additional resistance ropes can only be used when standing on the equipment, this to avoid lifting the complete machine and therewith risking machine damage of the impact when the machine comes down again.

### Attach the additional resistance ropes

- Take the loop of the additional resistance rope and guide it through one of the rings/ brackets on the bottom front side of your trainer.
- Guide the handle of the additional resistance band through the loop of the band and pull tight, so you get an easy detachable but secured fixture.
- Only one additional resistance rope can be attached to each of the two available rings.
- Remove the bungee in the reverse following order.

### Adjust the resistance ropes length

To adjust the resistance ropes to your body length it is recommended to adjust the length accordingly.

- To adjust the length of the resistance rope, push the rope through the slider on the hand-grip side, and pull it tight again through the handle.

### Attach seat to base frame

To attach the seat to the base frame it is required to first open the seat surface caps to free the seat handle fixing pockets. Position the seat over the pockets, and push it in to secure the fixture.

When removing the seat again from the base frame, pull out the seat while preventing the base frame from being lifted.  
Make sure the seat handle fixing pockets are closed with the surface caps when seat is not fitted.

#### NOTE

- The fix will not be a tight fit, therefore the attached seat cannot be used as a product handle to lift the machine.

The seat can be used for different variations in your workout.

## Console

### Explanation of buttons

#### Power:

Press the button while power plug in, LCD shows "00" "10" ,the machine is toggling between "On mode" and "Standby mode".

#### "P", "P1" "P2" "P3" ( Auto program )

- Press auto program button, to start a pre programmed profile quick.

#### Start/ Pause

- Press the button to start the vibration plate.
- In the operation of the machine, press this button to stop working.

#### S ▲ (speed +)

Speed increase: Manual 1- 30. ( ± 1)

- Press this button to increase the speed when the machine is operating.

#### S ▼ (speed -)

Speed decrease: Manual 1- 30. ( ± 1)

- Press this button to decrease the speed when the machine is operating.

#### T ▲ (time +)

Press this button to Increase time. ( ± 1 min. )

- Range: 1 ~ 10

#### T ▼ (time -)

Press this button to Decrease time. ( ± 1 min.)

- Range: 1 ~ 10

#### "10" "15" "20" ( Manual quick button )

Press manual quick button to start a manual workout with pre set time fast.

#### NOTE

- The effective reception range of the remote Control signal is 2.5 meters, the infrared emission indicator of the controller should be aligned with the infrared receiving window on the vibration plate.

## Remote control

The remote control comes without batteries, and needs to be purchased and installed prior to use.

The remote control requires 2 pcs. of AAA size batteries.

### To fit/ Replace the batteries

- Remove the cover.  
Located on the back side.
- Remove the old batteries.  
Only valid when replacing the batteries for fresh ones.
- Insert the new batteries.  
Make sure that batteries match the (+) and (-) polarity markings.
- Mount the cover.

#### NOTE

- Empty batteries should always be recycled per your Local legal regulations to save the environment.

#### WARNING

- Do not expose batteries to big temperature changes to prevent the batteries from leaking.
- To prevent your batteries from leaking, take them out if you plan on not using your device for longer periods of time.
- When inserting multiple batteries into a device, always use the same brand, the same type, and the same energy level.

### Button functions

The button functions for the remote control are corresponding with the main unit display buttons, and therefore have the same functionality.

The Remote control works on an infrared protocol.

Therefore it requires an unblocked air space between remote control's transmitter and console receiver for proper functionality.

### Explanation Display functions

#### Speed

- Displays current training vibration frequency setting.
- Range: 1 ~ 30.

#### NOTE

Speed level	Motor RPM	Formula	Hz
Speed 1	500	500/ 60	8.33
Speed 2	510	510/ 60	8.50
Speed 29	790	790/ 60	13.17
Speed 30	800	800/ 60	13.33

#### Time/ Program

- Shows left time when workout.
- Shows the target time when being in programming mode.
- Shows program selection when being in program mode.



## Storage and Maintenance

### WARNING

- Before cleaning, ensure the power switch is turned off, and the attaching plug is pulled out of the socket.
- The rubber protective top mat and covers can be cleaned with a wet cloth containing detergent, and the detergent should be removed with a cloth notice
- Do not clean the vibration plate with corrosive detergent such as benzene or thinner, as it may cause fading, corrosion or crack on the vibration plate's shell.
- Do not splash water into the vibration plate to avoid short circuit.

### CAUTION

- Do not carry this appliance by the power supply cord or use cord as a handle.

## Surface cleaning

### Clean the remote controller

As wet cloth may cause malfunction of the controller, only dry cloth can be used.

When cleaning the remote controller, it is recommended to take out battery first.

### Storage an Maintenance

- Make sure that the power switch is turned off and the plug is removed From the power supply.
- Clean off the dust and dirt on the vibration plate and keep it clean and away From places with high temperature or high humidity.
- If the vibration plate is not in use for along period, a dust proof cover (buy it Yourself) should be applied on the vibration plate to prevent the entry of dust.

Change of fuse: turn the fuse base in the direction of the arrow (counter-clockwise), and replace the fuse with a clockwise screw back.

### NOTE

- Please consult after-sales department, if malfunction can not be removed by consumers themselves

## Additional information

### Packaging disposal

Government guidelines ask that we reduce the amount of waste material disposed of in land fill sites. We therefore ask that you dispose of all packaging waste responsibly at public recycling centres.

### End of life disposal

We at Tunturi hope you enjoy many years of enjoyable use from your fitness trainer. However, a time will come when your fitness trainer will come to the end of its useful life. Under 'European WEEE Legislation you are responsible for the appropriate disposal of your fitness trainer to a recognised public collection facility.

## Troubleshooting

### The vibration plate can not be started

- The plug is not in place, insert the plug to resolve.
- The power switch is in Off mode, Turn the power switch to ON mode.
- Thermal fuse is burn, replace with a new fuse of the same model.

### Sound like phew or Da-da is heard during working

- This is normal operational sounds produced by the motor of from the abrasion between mechanical parts.

### Operate the controller, but the vibration plate no action.

- The battery power of the remote is low, replace the battery to resolve.
- The remote control is out of the receivers reach, make sure the space in between the sender and receiver is not blocked and not over 2,5 meters.

### Sudden stop of the unit

- Default or pre-set working time is up, restart the unit after 10 minutes interval.

### Unit does not respond to commands

- Too many commands send to the unit is short time and cannot be processed simultaneously, restart the unit, unplug power cord for at least 5 seconds and start the unit to resolve.

### Display show ER01 or ER02

Motor power problem and units stops to protect from damage. Restart the unit, unplug power cord for at least 5 seconds and start the unit to resolve.

## Warranty

### Tunturi purchaser's warranty

#### Warranty terms

The consumer is entitled to the applicable legal rights stated in the national legislation concerning the commerce of consumer goods. This warranty does not restrict these rights. The Purchaser's Warranty is only valid if the item is used in an environment approved by Tunturi New Fitness BV, and is maintained as instructed for that particular equipment. The product-specific approved environment and maintenance instructions are stated in the "user manual" of the product. The "user manual" can be downloaded from our website. <http://manuals.tunturi.com>

#### Warranty conditions

The warranty conditions commence from the date of purchase. Warranty conditions may vary per country, so please consult your local dealer for the warranty conditions.

#### Warranty coverage

Under no circumstances shall Tunturi New Fitness BV or the Tunturi Distributor be liable by virtue of this warranty or otherwise for any special, indirect, secondary or consequential damages of any nature arising out of any use or inability to use this equipment.

### Warranty limitations

This warranty covers manufacturing defects in the fitness equipment as originally packed by Tunturi New Fitness BV. The warranty shall apply only under conditions of normal, recommended use of the product as described in the Owner's Manual and providing that Tunturi New Fitness BV's instructions for installation, maintenance and use have been complied with. Neither Tunturi New Fitness BV's nor the Tunturi Distributors' obligations apply to defects due to reasons beyond their control. The warranty applies only to the original purchaser and is valid only in countries where Tunturi New Fitness BV has an authorised importer. The warranty does not extend to fitness equipment or components that have been modified without the consent of Tunturi New Fitness BV. Defects resulting from normal wear, misuse, abuse, corrosion, or damage incurred during loading or transportation are not covered.

The warranty does not cover sounds or noises emitted during use where these do not substantially impede the use of the equipment and where they are not caused by a fault in the equipment.

The warranty does not cover defects arising from the failure to carry periodic maintenance as outlined within the Owner's Manual for the product. Furthermore, the warranty does not cover defects arising from usage and storage within an unsuitable environment as described within the Owner's Manual which should be indoors, dry, dust and grit free and within a temperature range of +15°C to +35°C. The warranty does not cover maintenance activities, such as cleaning, lubricating, and normal part adjustments, nor installation

procedures that customers can accomplish themselves, such as changing uncomplicated meters, pedals and other similar parts not requiring any dismantling/reassembling of the fitness equipment. Warranty repairs carried out by other than authorised Tunturi representatives are not covered.

Failure to follow the instructions given in the Owner's Manual will invalidate the product's warranty.

### Technical data

Parameter	Unit of measurement	Value
Heartrate measurement available via:	hand-grip contact 5.3~ 5.4 Khz. Bluetooth (BLE) ANT+	<input checked="" type="checkbox"/> <input checked="" type="checkbox"/> <input checked="" type="checkbox"/> <input checked="" type="checkbox"/>
Amplitude	mm	10 (±1)
Force	G	
Length	cm inch	58.0 22.8
Width	cm inch	33.0 13.0
Height	cm inch	34.0 13.4
Weight	kg lbs	11.3 24.9
Max. user weight	kg lbs	150 330
Mains voltage	VAC	210~240
Mains frequency	HZ	50~60

### Declaration of the manufacturer

Tunturi New Fitness BV declares that the product is in conformity with the following standards and directives: EN 957 (HC), 2014/30/EU . The product therefore carries the CE label.

04-2020

Tunturi New Fitness BV  
Purmerweg 1  
1311 XE Almere  
The Netherlands

### Disclaimer

© 2020 Tunturi New Fitness BV  
All rights reserved.

- The product and the manual are subject to change.
- Specifications can be changed without further notice.
- Check our website for the latest user manual version.

## Deutsch

Diese deutsche Bedienungsanleitung ist eine Übersetzung des englischen Textes. Es können keine Rechte auf diese Übersetzung abgeleitet werden.

## Index

<b>Willkommen.....</b>	<b>11</b>
<b>Sicherheitsvorkehrungen für die Einsatzumgebung</b>	
.....	<b>11</b>
<b>Erläuterung der Abbildungen.....</b>	<b>12</b>
Beschreibung Abbildung A.....	12
Beschreibung Abbildung B.....	12
Beschreibung Abbildung C.....	12
Beschreibung Abbildung D.....	12
<b>Übungen.....</b>	<b>12</b>
Haltung.....	12
Zusätzliche Widerstandsseile.....	12
Sitz am Basisrahmen befestigen.....	13
<b>Konsole.....</b>	<b>13</b>
Erläuterung der Schalter.....	13
Fernbedienung.....	13
Erläuterung der Anzeigefunktionen.....	13
<b>Lagerung und Wartung.....</b>	<b>14</b>
Oberflächenreinigung.....	14
Zusätzliche Informationen.....	14
<b>Problemlösung.....</b>	<b>14</b>
<b>Garantie.....</b>	<b>15</b>
<b>Technische Daten.....</b>	<b>15</b>
<b>Herstellereklärung.....</b>	<b>15</b>
<b>Haftungsausschluss.....</b>	<b>15</b>

## Willkommen

Willkommen in der Welt von Tunturi!

Danke, dass Sie dieses Gerät von Tunturi erworben haben. Tunturi bietet eine breite Palette an Heim-Fitnessgeräten wie beispielsweise Crosstrainer, Laufbänder, Trainingsfahrräder, Rudergeräte, Kraftbänke und Multi-Stationen an. Die Tunturi Geräte sind für die ganze Familie geeignet - ganz egal, wie fit man ist. Weitere Informationen finden Sie auf unserer Website unter [www.tunturi.com](http://www.tunturi.com)

## Wichtige sicherheitshinweise

Diese Anleitung ist ein unerlässlicher Teil Ihres Trainingsgeräts: Lesen Sie alle Anweisungen in diesem Handbuch durch, bevor Sie dieses Gerät verwenden. Die folgenden Vorsichtsmaßnahmen müssen immer befolgt werden.

## Sicherheitsvorkehrungen für die Einsatzumgebung

- Die Vibrationsplatte darf nicht in feuchten oder staubigen Umgebungen eingesetzt werden, um Stromschlag oder Ausfall mechanischer Teile zu vermeiden.
- Die Vibrationsplatte nicht bei Innentemperaturen über 40 °C verwenden.
- Die Vibrationsplatte nicht an der offenen Luft oder in direkter Sonneneinstrahlung verwenden.
- Die Vibrationsplatte auf den flachen Boden legen.

### GEFAHR

- Vor der Verwendung der Vibrationsplatte eine Stunde warten, wenn sie von einer Umgebung mit niedriger in eine Umgebung mit hoher Temperatur verbracht wurde, um die Kondensation von Wasserdampf an der Maschine zu vermeiden, was zu Ausfällen führen kann.

## Menschen mit den folgenden gesundheitlichen Problemen sollten die Vibrationsplatte nicht verwenden.

- Es wird dringend geraten, dass sich insbesondere aktuell in Behandlung befindliche Patienten oder Personen, denen es nicht gut geht, vor der Verwendung mit Ihrem Arzt beraten.
- Patienten mit bösartigem Tumor.
- Schwangere oder Menstruierende.
- Menschen mit Herzkrankheiten, Osteoporosepatienten.
- Menschen mit implantiertem Herzschrittmacher oder anderen implantierten medizinischen elektronischen Instrumenten.
- Menschen mit künstlichen Gliedmaßen.
- Menschen, die empfindlich auf Schwingungen und anstrengende körperliche Aktivität reagieren.

## © Hinweise im Betrieb

- Vor der Verwendung Armbanduhr, Armreife, Handys und andere Wertsachen sowie Schlüssel, Messer und andere spitzige oder scharfe Gegenstände ablegen, um Schäden oder Verletzungen zu vermeiden.
- Bei Verwendung der Vibrationsplatte nicht rauchen.
- Die Vibrationsplatte nicht in Kombination mit anderen medizinischen Geräten einsetzen.
- Die Vibrationsplatte nicht zum Zweck der medizinischen Behandlung verwenden.
- Die Vibrationsplatte nicht direkt nach dem Essen oder Trinken einsetzen.
- Während der Verwendung Kinder und/oder Haustiere von der Vibrationsplatte fernhalten.
- Keine Finger oder andere Fremdkörper in den Spalt zwischen der mittleren Abdeckung und der Basisabdeckung halten.
- Kinder unter 10 Jahren und Personen über 60 Jahren sind bei der Verwendung der Vibrationsplatte zu beaufsichtigen.
- Die Tragfähigkeit der Vibrationsplatte beträgt 150kg (330lbs). Schwerere Menschen sollten die Vibrationsplatte nicht verwenden.
- Die Vibrationsplatte ist immer nur durch eine Person zu verwenden.

### WARNUNG

- Zerlegen, Demontage oder Reparatur ohne Erlaubnis sind nicht zulässig. Gefahr von Stromschlag oder Fehlfunktionen. Wenden Sie sich an den Hersteller oder an Ihren örtlichen Händler, wenn Sie Wartungsarbeiten benötigen.

### **Nehmen Sie die Vibrationsplatte in folgenden Fällen umgehend außer Betrieb und trennen Sie sie von der Stromversorgung:**

- Wasser oder andere Flüssigkeiten werden versehentlich auf die Vibrationsplatte oder den Controller gespritzt.
- Zubehörteile sind beschädigt oder Innenteile liegen frei.
- Verwendung führt zu ungewöhnlichen oder schweren Schmerzen.
- Stromausfall.
- Gewitter.

### **Stecker und Stromkabel**

- Stellen Sie sicher, dass die Spannung den Vorgaben für die Vibrationsplatte entspricht.
- Ziehen Sie den Stecker nie mit nassen Händen. Gefahr von Stromschlag!
- Greifen Sie zum Ausstecken immer den Stecker, und nie das Stromkabel.
- Schalten Sie bei Stromausfall oder längerer Nichtverwendung den Hauptschalter aus und trennen Sie das Gerät von der Stromversorgung.
- Stellen Sie den Betrieb der Vibrationsplatte ein, falls das Stromkabel beschädigt ist. Schalten Sie den Hauptschalter aus, ziehen Sie den Stecker und ersetzen Sie das Stromkabel oder wenden Sie sich für eine Reparatur an Techniker.
- Lassen Sie das Netzkabel nicht unter dem Gerät entlanglaufen. Lassen Sie das Netzkabel nicht unter einem Teppich entlanglaufen. Stellen Sie keine Gegenstände auf das Netzkabel.

## **Erläuterung der Abbildungen**

### **Beschreibung Abbildung A**

Die Abbildung zeigt, welche Komponenten und Teile in der Lieferung enthalten sein sollen.

#### HINWEIS

- Kleinteile können in Hohlräumen im Styropor-Produktschutz versteckt/verpackt werden
- Wenden Sie sich an Ihren Händler, wenn Teile fehlen.

### **Beschreibung Abbildung B**

Die Abbildung zeigt, wie die Griffe am Sitzkissenrahmen angebracht werden.

#### HINWEIS

- Der für die Montage erforderliche Schraubendreher ist nicht im Karton enthalten.

### **Beschreibung Abbildung C**

Die Abbildung zeigt die Tasten des Bedienfelds und die Fernbedienung.

### **Beschreibung Abbildung D**

Die Abbildungen zeigen die vorprogrammierten Programmprofile.

## **Übungen**

Wir empfehlen Ihnen, die Übungen zwei bis drei Mal pro Woche durchzuführen. Dehnungstraining und Erholungseinheiten können öfter stattfinden. Wie bei anderem (kardiovaskulärem) Training empfehlen wir Ihnen, in Ihrem eigenen Tempo zu trainieren. Beginnen Sie das Training mit geringer Intensität und steigern Sie die Trainingsintensität Ihren persönlichen Erfahrungen entsprechend.

### **Haltung**

- Allgemein sollten Sie sich während der Übungen komfortabel fühlen.
- Ihr Rücken muss immer gestreckt sein. Vermeiden Sie das "Hängen" am Gerät.
- Alle (Dehnungs-)Übungen sollten aktiv geschehen. Bei Massage- oder Erholungseinheiten können Sie die Muskelspannung abbauen.
- Die Bauchmuskeln sollten angespannt bleiben. So wird das Training effektiver.
- Bei allen Übungen sollten Sie die Knie beugen. Gelenkesollten sich nicht im Bewegungsendstand befinden, und Beine sollten während der Übung nicht durchgestreckt werden. Die Vibration sollte durch die Muskeln hindurchgehen, nicht durch die Gelenke.

### WARNUNG

- Spüren Sie eine sehr hohe Vibration, die bis zum Kopf reicht, ist Ihre Haltung nicht korrekt.

### **Zusätzliche Widerstandsseile**

Ihr Trainer wird mit zusätzlichen Widerstandsseilen geliefert, mit denen Sie Ihr Training nach Belieben intensivieren oder variieren können.

### WARNUNG

- Die zusätzlichen Widerstandsseile können nur verwendet werden, wenn man auf dem Gerät steht. So wird vermieden, dass die gesamte Maschine angehoben und durch den Aufprall beschädigt wird, wenn sie wieder herunterkommt.

### **Befestigen des zusätzlichen Widerstandsseils**

- Führen Sie die Schlaufe des zusätzlichen Widerstandsseils durch einen der Ringe/Halterungen an der unteren Vorderseite Ihres Trainers.
- Führen Sie den Griff des zusätzlichen Widerstandsseiles durch die Schlaufe des Seiles und ziehen Sie es fest, so dass Sie eine leicht zu lösende, aber sichere Befestigung erhalten.
- An jedem der beiden vorhandenen Ringe kann nur ein zusätzliches Widerstandsseil befestigt werden.
- Entfernen Sie den Gummizug in umgekehrter Reihenfolge.

### **Einstellen der Länge der Widerstandsseile**

Um die Widerstandsseile an Ihre Körperlänge anzupassen, empfiehlt es sich, die Länge entsprechend einzustellen.

- Um die Länge des Widerstandsseils einzustellen, schieben Sie das Seil durch den Schieber an der Seite des Handgriffs und ziehen Sie es durch den Griff wieder fest.

### Sitz am Basisrahmen befestigen

Um den Sitz auf dem Basisrahmen zu befestigen, müssen zunächst die Kappen an der Sitzfläche geöffnet werden, um die Befestigungstaschen für den Sitzgriff freizulegen.

Positionieren Sie den Sitz über den Taschen und drücken Sie ihn ein, um die Halterung zu sichern.

Wenn Sie den Sitz wieder aus dem Basisrahmen herausnehmen, ziehen Sie den Sitz heraus und achten Sie darauf, dass der Basisrahmen nicht angehoben wird.

Vergewissern Sie sich, dass die Befestigungstaschen für den Sitzgriff mit den Kappen verschlossen sind, wenn der Sitz nicht montiert ist.

#### HINWEIS

- Die Befestigung wird nicht stark sein, daher kann der angebrachte Sitz nicht als Produktgriff zum Anheben des Geräts verwendet werden.

Der Sitz kann für verschiedene Trainingsvariationen verwendet werden.

## Konsole

### Erläuterung der Schalter

#### Leistung:

Drücken Sie die Taste, während das Gerät eingesteckt ist. Die LCD zeigt „00“ „10“, und die Maschine schaltet zwischen „An“ und „Standby“ hin und her.

#### „P“, „P1“ „P2“ „P3“ (automatisches Programm)

Drücken Sie die automatische Programmtaste, um schnell ein vorprogrammiertes Profil zu starten.

#### (Start/Pause)

- Drücken Sie die Taste, um die Vibrationsplatte zu starten.
- Drücken Sie bei Betrieb der Maschine diese Taste, um den Betrieb einzustellen.

#### S ▲ (speed +)

Geschwindigkeit erhöhen: Manuell 1- 30. ( ± 1)

- Drücken Sie diese Taste, um die Geschwindigkeit im laufenden Betrieb der Maschine zu erhöhen.

#### S ▼ (speed -)

Geschwindigkeit verringern: Manuell 1- 30. ( ± 1)

- Drücken Sie diese Taste, um die Geschwindigkeit im laufenden Betrieb der Maschine zu verringern.

#### T ▲ (time +)

Zeit verlängern:

Die Standardbetriebszeit beträgt 10 Minuten, geteilt in 10 Stufen.

Drücken Sie die Taste, um die Zeit zu verlängern. ( ± 1 Min.)

#### T ▼ (time -)

Zeit verringern: Die Standardbetriebszeit beträgt 10 Minuten, geteilt in 10 Stufen.

Drücken Sie die Taste, um die Zeit zu verringern.

#### „10“ „15“ „20“ (Tasten zur manuellen Schnellverstellung)

Drücken Sie eine Taste zur manuellen Schnellverstellung, um einen manuellen Workout mit einer voreingestellten Zeit schnell zu starten.

#### HINWEIS

- Der effektive Empfangsbereich des Fernbedienungssignals beträgt 2,5 Meter. Die Infrarotanzeige der Fernbedienung sollte an dem Infrarotempfangsfenster an der Vibrationsplatte ausgerichtet sein.

### Fernbedienung

Die Fernbedienung wird ohne Batterien geliefert und muss vor der Verwendung gekauft und installiert werden.

Die Fernbedienung benötigt zwei Batterien der Größe AAA.

#### Einsetzen/Austauschen der Batterien

- Entfernen Sie die Abdeckung. (Befindet sich auf der Rückseite).
- Entfernen Sie die alten Batterien.  
Gilt nur, wenn die Batterien durch neue ersetzt werden.
- Legen Sie die neuen Batterien ein.  
Achten Sie darauf, dass die Pole der Batterien mit den Markierungen (+) und (-) übereinstimmen.
- Bringen Sie die Abdeckung wieder an.

#### HINWEIS

- Leere Batterien sollten immer gemäß den örtlichen gesetzlichen Bestimmungen recycelt werden, um die Umwelt zu schützen.

#### WARNUNG

- Setzen Sie die Batterien keinen großen Temperaturschwankungen aus, um ein Auslaufen zu verhindern.
- Um zu verhindern, dass die Batterien auslaufen, sollten Sie sie herausnehmen, wenn Sie Ihr Gerät längere Zeit nicht benutzen wollen.
- Wenn Sie mehrere Batterien in ein Gerät einlegen, verwenden Sie immer dieselbe Marke, denselben Typ und dieselbe Energiestufe.

#### Tastenfunktionen

Die Tastenfunktionen der Fernbedienung entsprechen den Tasten auf dem Display des Hauptgeräts und haben daher die gleiche Funktionalität.

Die Fernbedienung arbeitet mit einem Infrarot-Protokoll.

Daher muss der Luftraum zwischen dem Sender der Fernbedienung und dem Empfänger der Konsole frei sein, damit sie richtig funktioniert.

### Erläuterung der Anzeigefunktionen

#### Speed (Geschwindigkeit)

- Aktuelle Einstellung zur Schwingungsfrequenz wird angezeigt.
- Bereich: 1 ~ 30.



## HINWEIS

Speed level	Motor RPM	Formula	Hz
Speed 1	500	500/ 60	8.33
Speed 2	510	510/ 60	8.50
Speed 29	790	790/ 60	13.17
Speed 30	800	800/ 60	13.33

Speed level	Geschwindigkeitsstufe
Motor RPM	Motordrehzahl
Formula	Berechnungsformel
Hz	Hertz

### Time/ Program

- Zeigt die verbleibende Zeit an.
- Zeigt im Programmiermodus die Zielzeit an.
- Zeigt im Programmiermodus die Programmauswahl.

## Lagerung und Wartung

### WARNUNG

- Vor dem Reinigen sicherstellen, dass der Hauptschalter deaktiviert ist, und der Befestigungsstecker aus der Steckdose gezogen ist.
- Die obere Gummischutzmatte und Abdeckungen lassen sich mit einem nassen Tuch und Reinigungsmittel reinigen. Das Reinigungsmittel sollte mit einem Tuch abgewischt werden
- Die Vibrationsplatte nicht mit korrodierendem Reinigungsmittel wie Benzol oder Verdünnern reinigen, da dies zu Ausbleichen, Korrosion oder Rissen an der Hülle der Vibrationsplatte führen kann.
- Kein Wasser in die Vibrationsplatte spritzen, um Kurzschluss zu vermeiden.

### ACHTUNG

- Das Gerät nicht am Stromkabel tragen, und das Kabel nicht als Griff verwenden.

## Oberflächenreinigung

### Die Fernbedienung reinigen

Da ein nasses Tuch zu Fehlfunktionen der Fernsteuerung führen kann, muss ein trockenes Tuch verwendet werden.

Es wird empfohlen, vor dem Reinigen der Fernsteuerung die Batterie zu entnehmen.

### Lagerung und Wartung

- Sicherstellen, dass der Hauptschalter deaktiviert und das Gerät von der Stromversorgung getrennt ist.
- Staub und Verunreinigung von der Vibrationsplatte entfernen, sauber und von Orten mit hoher Temperatur oder hoher Feuchtigkeit entfernt halten.
- Wenn die Vibrationsplatte für einen längeren Zeitraum nicht in Verwendung ist, sollte eine staubdichte Abdeckung (von Ihnen zu erwerben) auf die Vibrationsplatte aufgebracht werden, um Eindringen von Staub zu vermeiden.

Sicherungswechsel: Die Sicherungsbasis in Pfeilrichtung (gegen den Uhrzeigersinn) drehen und die Sicherung im Uhrzeigersinn wieder eindrehen.

## HINWEIS

- Wenn eine Fehlfunktion nicht durch Verbraucher selbst behoben werden kann wenden Sie sich bitte an die Aftersales-Abteilung.

## Zusätzliche Informationen

### Verpackungsentsorgung

Staatliche Vorschriften sagen, dass wir die in Deponien entsorgten Abfallmengen verringern sollen. Daher bitten wir Sie, den gesamten Verpackungsabfall an öffentlichen Recyclingstellen abzugeben

### Entsorgung am ende der Lebensdauer

Wir bei Tunturi hoffen, dass Sie Ihren Fitnesstrainer viele Jahre mit Freude nutzen werden. Jedoch wird irgendwann die Zeit kommen, wenn die Ende der Nutzungsdauer des Fitnesstrainers erreicht ist. Gemäß den europäischen WEEE-Gesetzen sind Sie für eine geeignete Entsorgung des Fitnesstrainers bei einer anerkannten öffentlichen Entsorgungsstelle verantwortlich.

## Problemlösung

### Die Vibrationsplatte lässt sich nicht starten.

- Der Stecker ist nicht eingesteckt. Zur Lösung den Stecker einstecken.
- Der Hauptschalter ist ausgeschaltet. Schalten Sie den Hauptschalter EIN.
- Die Thermalsicherung ist durchgebrannt. Ersetzen Sie sie mit einer neuen Sicherung desselben Modells.

### Bei der Arbeit ertönt ein Geräusch, das wie „Puh“ oder „Da-da“ klingt.

- Dies sind normale Betriebsgeräusche, die durch den Motor oder durch Reibung zwischen mechanischen Teilen erzeugt werden.

### Eine Betätigung der Fernbedienung führt nicht zu einer Reaktion der Vibrationsplatte.

- Die Batterie der Fernbedienung ist schwach. Wechseln Sie die Batterie.
- Die Fernbedienung ist außer Reichweite des Empfängers. Stellen Sie sicher, dass der Abstand zwischen Sender und Empfänger nicht blockiert ist und nicht mehr als 2,5 Meter beträgt.

### Die Einheit hält plötzlich an

- Die Standard- oder voreingestellte Arbeitszeit ist abgelaufen. Die Einheit kann nach 10 Minuten wieder gestartet werden.

### Die Einheit reagiert nicht auf Befehle

- Die Einheit hat in kurzer Zeit zu viele Befehle erhalten und kann diese nicht gleichzeitig verarbeiten. Stecken Sie das Stromkabel mindestens 5 Sekunden lang aus und starten Sie dann die Einheit erneut, um das Problem zu lösen.

### Die Anzeige zeigt ER01 oder ER02 an.

Motorenergieproblem. Die Einheit stoppt, um Schäden zu vermeiden. Starten Sie die Einheit neu. Stecken Sie das Stromkabel mindestens 5 Sekunden lang aus und starten Sie die Einheit, um das Problem zu lösen.

## Garantie

### Eigentümer-garantie für Tunturi fitnessgeräte.

#### Garantiebedingungen

Der Käufer hat Anspruch auf die anwendbaren Bestimmungen, die in der jeweiligen nationalen Gesetzgebung für den Handel mit Konsumgütern festgelegt sind. Diese Garantie schränkt diese Rechte nicht ein. Die Garantie des Käufers gilt nur, wenn der Artikel in einer Umgebung verwendet und nach Anweisung gewartet wird, die von Tunturi New Fitness BV für dieses Gerät genehmigt wurde. Die produktspezifisch zugelassene Umgebung und Wartungshinweise sind im "Benutzerhandbuch" des Produkts angegeben. Das "Benutzerhandbuch" kann von unserer Website heruntergeladen werden. <http://manuals.tunturi.com>

#### Garantiedauer

Die Garantie gilt ab Kaufdatum. Die Garantiedauer kann sich je nach Land unterscheiden. Bitte wenden Sie sich an Ihren zuständigen Händler, um die Garantiedauer zu erfahren.

#### Garantieumfang

Unter keinen Umständen haften die Tunturi New Fitness BV oder der Tunturi-Vertragshändler für dem Käufer möglicherweise zugefügte indirekte Schäden wie Gebrauchsbeeinträchtigung oder Einkommensverlust oder anderen wirtschaftlichen Folgeschäden.

#### Einschränkungen der garantie

Die Garantie deckt durch Herstellung oder Material hervorgerufene Fehler des Fitnessgeräts in dessen ursprünglicher Zusammensetzung. Unter Voraussetzung, dass die Aufbau-, Pflege- und Gebrauchsanweisungen von Tunturi befolgt wurden, erstreckt sich die Garantie auf solche Fehler, die bei normaler und einem dem Gerät beiliegenden Anleitungsbuch entsprechender Benutzung auftreten können. Die Tunturi New Fitness BV und der Tunturi-Vertragshändler haften nicht für Fehler, die durch Faktoren außerhalb ihrer Einflussmöglichkeiten hervorgerufen wurden. Die Garantie gilt nur für den ursprünglichen Eigentümer und nur in den Ländern, in denen es einen von der Tunturi New Fitness BV autorisierten Importeur gibt. Die Garantie gilt nicht für solche Fitnessgeräte oder Teile, an denen ohne Zustimmung der Tunturi New Fitness BV Veränderungen vorgenommen worden sind. Die Garantie betrifft auch nicht solche Schäden, die durch natürlichen Verschleiß, fehlerhaften Gebrauch, Benutzung unter für das Gerät nicht vorgesehenen Umständen, Korrosion, Verladung oder Transport hervorgerufen wurden.

Ersatzleistungen aufgrund von Geräuschen, die beim Einsatz des Geräts auftreten, sind von der Garantie ausgeschlossen, sofern diese Geräusche den Gebrauch des Geräts nicht wesentlich beeinträchtigen und nicht durch einen Gerätefehler bedingt sind.

Die Garantie beinhaltet keine Wartungsmaßnahmen, wie Reinigung, Schmieren oder normales Kontrollieren der Teile, auch nicht solche Aufbaumaßnahmen, die der Kunde selbst ausführen kann und die kein spezielles Auseinander- oder Zusammenbauen des Fitnessgeräts erfordern. Zu solchen Maßnahmen gehört beispielsweise das Austauschen von Cockpits, Pedalen oder anderer entsprechender einfacher Teile. Andere als die durch einen autorisierten Tunturi-Vertreter ausgeführten Garantieleistungen werden nicht ersetzt. Durch unsachgemäße, d.h. nicht der Bedienungsanleitung entsprechenden, Bedienung, verfällt jedweder Garantieanspruch.

## Technische Daten

Parameter	Maßeinheit	Wert
Herzdatenmessung verfügbar über:	Handgriffkontakt 5,3~ 5,4 Khz. Bluetooth (BLE) ANT+	<input checked="" type="checkbox"/> <input checked="" type="checkbox"/> <input checked="" type="checkbox"/> <input checked="" type="checkbox"/>
Amplitude	mm	10 (±1)
Force	G	
Länge	cm inch	58.0 22.8
Breite	cm inch	33.0 13.0
Körpergröße	cm inch	34.0 13.4
Gewicht	kg lbs	11.3 24.9
Max. Benutzergewicht	kg lbs	150 330
Netzspannung	VAC	210~240
Netzfrequenz	HZ	50~60

## Herstellereklärung

Tunturi New Fitness BV erklärt hiermit, dass das Produkt folgenden Normen und Richtlinien entspricht: EN 957 (HC), 2014/30/EU . Das Produkt trägt daher das CE-Kennzeichen.

04-2020

Tunturi New Fitness BV  
Purmerweg 1  
1311 XE Almere  
The Netherlands

## Haftungsausschluss

© 2020 Tunturi New Fitness BV  
Alle Rechte vorbehalten.

- Produkt und Handbuch können geändert werden.
- Die technischen Daten können ohne Vorankündigung geändert werden.
- Auf unserer Website finden Sie die neueste Version des Benutzerhandbuchs.

## Français

Ce manuel français est une traduction de la version anglaise. Notez que la version anglaise est en tête dans le contenu lorsque des différences sont trouvées.

## Indice

<b>Bienvenue .....</b>	<b>16</b>
<b>Consignes de sécurité, environnement d'utilisation .....</b>	<b>16</b>
<b>Explication des illustrations .....</b>	<b>17</b>
Description de l'illustration A .....	17
Description de l'illustration B .....	17
Description de l'illustration C .....	17
Description de l'illustration D .....	17
<b>Exercice .....</b>	<b>17</b>
Posture .....	17
Autres bandes de résistance .....	17
Fixation du siège au cadre de base .....	18
<b>Console .....</b>	<b>18</b>
Explication des boutons .....	18
Télécommande .....	18
Explication des fonctions à l'écran .....	18
<b>Stockage et de maintenance .....</b>	<b>19</b>
Nettoyage des surface .....	19
Informations supplémentaires .....	19
<b>Dépannage .....</b>	<b>19</b>
<b>Garantie .....</b>	<b>20</b>
<b>Données techniques .....</b>	<b>20</b>
<b>Déclaration du fabricant .....</b>	<b>20</b>
<b>Limite de responsabilité .....</b>	<b>20</b>

## Bienvenue

Bienvenue dans l'univers de Tunturi Fitness !  
 Merci pour votre achat de cet élément d'équipement Tunturi.  
 Tunturi offre toute une gamme d'équipements de fitness professionnels, notamment des vélos elliptiques, tapis de course, vélos d'appartement, rameurs, bancs de musculation, multi stations et accessoires. Les équipements Tunturi sont parfaits pour toute la famille, quel que soit le niveau de forme de ses membres. Pour en savoir plus, visitez notre site Web [www.tunturi.com](http://www.tunturi.com)

## Consignes de sécurité importantes

Ce Manuel est un élément essentiel de votre équipement d'entraînement : veuillez lire toutes les instructions qu'il contient avant de commencer à utiliser cet équipement. Les consignes suivantes doivent toujours être respectées :

### Consignes de sécurité, environnement d'utilisation

- Ne pas utiliser la plateforme vibrante dans un environnement humide ou poussiéreux pour éviter les chocs électriques ou l'endommagement des pièces mécaniques.
- Ne pas utiliser la plateforme vibrante si la température ambiante dépasse 40°C.
- Ne pas utiliser la plateforme vibrante en plein air ni l'exposer au rayonnement direct du soleil.
- Placer la plateforme vibrante sur un sol plan.

#### DANGER

- Veuillez attendre une heure avant d'utiliser la plateforme vibrante si elle a été déplacée d'une température ambiante basse à élevée afin d'éviter la formation de condensation sur la machine, pouvant entraîner des dysfonctionnements.

### Il est recommandé aux personnes atteintes des pathologies ci-dessous de ne pas utiliser la plateforme vibrante.

- Il est vivement recommandé de consulter un médecin avant utilisation, notamment pour les personnes qui suivent un traitement médical ou qui ne se sentent pas bien.
- Personnes atteintes d'une tumeur maligne.
- Femmes enceintes ou en période menstruelle.
- Personnes atteintes de pathologies cardiaques ou d'ostéoporose.
- Personnes porteuses d'un stimulateur cardiaque (pacemaker) ou de tout autre implant électronique médical.
- Personnes porteuses d'un membre artificiel.
- Personnes sensibles aux vibrations ou ne supportant pas les exercices intenses.

#### © Remarques pendant le fonctionnement

- Avant utilisation, retirer les montres, bracelets, téléphones portables et tout autre objet de valeur, clés, couteaux et autres objets coupants pour éviter tout dommage et blessure.
- Ne pas fumer pendant l'utilisation de la plateforme vibrante.
- Ne pas utiliser la plateforme vibrante avec d'autres dispositifs médicaux.
- Ne pas utiliser la plateforme vibrante dans le cadre d'un traitement médical.
- Ne pas utiliser la plateforme vibrante après avoir ingéré de la nourriture ou une boisson.
- Pendant l'utilisation, tenir les enfants et/ou les animaux domestiques à distance de la plateforme vibrante.
- Il est interdit d'introduire les doigts ou d'autres corps étrangers dans l'écart situé entre le capot central et le capot de base.
- Les enfants de moins de 10 ans et les personnes âgées de plus de 60 ans doivent faire l'objet d'une surveillance lorsqu'ils utilisent la plateforme vibrante.
- La capacité de charge de la plateforme vibrante est de 150kg (330lbs). Il est déconseillé aux personnes dont le poids dépasse cette valeur d'utiliser la plateforme vibrante.

- Cette plateforme vibrante ne doit être utilisée que par une seule personne à la fois.

### AVERTISSEMENT

- La dépose, le démontage et la réparation ne sont pas autorisés pour éviter tout risque de choc électrique ou de dysfonctionnement. Veuillez contacter immédiatement le fabricant ou le revendeur si une intervention de maintenance est nécessaire.

### **Cessez d'utiliser la plateforme vibrante et débranchez immédiatement le cordon de l'alimentation secteur dans les cas suivants.**

- De l'eau ou un autre liquide s'est répandu(e) accidentellement sur la plateforme vibrante ou la commande.
- Un accessoire a été endommagé ou un composant interne est apparent.
- L'utilisateur ressent une douleur anormale ou intense pendant l'utilisation.
- Coupure de courant.
- Passage d'un orage.

### **Fiche secteur et cordon d'alimentation**

- Vérifiez si la tension correspond à celle spécifiée sur la plateforme vibrante.
- Ne pas retirer la fiche secteur avec les mains mouillées pour éviter un choc électrique.
- Tirez sur la fiche plutôt que sur le cordon d'alimentation pour débrancher.
- Placez l'interrupteur principal sur Arrêt et débranchez la fiche secteur de l'alimentation électrique en cas de coupure de courant ou d'inutilisation prolongée.
- Cessez d'utiliser la plateforme vibrante si le cordon d'alimentation est endommagé, placez l'interrupteur principal sur Arrêt, débranchez la fiche secteur et remplacez le cordon d'alimentation ou confiez la réparation à un technicien.
- Ne passez pas le câble secteur sous l'équipement. Ne passez pas le câble secteur sous un tapis. Ne placez aucun objet sur le câble secteur.

## **Explication des illustrations**

### **Description de l'illustration A**

Cette illustration montre les composants et les pièces que vous trouverez après le déballage du produit.

### REMARQUE

- Il se peut que les petites pièces soient dissimulées/coincées dans des espaces vides de la protection en polystyrène.
- Si une pièce est manquante, contacter le revendeur.

### **Description de l'illustration B**

L'illustration décrit comment monter les poignées sur le cadre rembourré du siège.

### REMARQUE

- Le tournevis nécessaire au montage n'est pas inclus dans le carton.

### **Description de l'illustration C**

L'illustration indique la disposition des touches du panneau de commande et la télécommande.

### **Description de l'illustration D**

Les illustrations affichent les profils de programmes prédéfinis.

## **Exercice**

Nous vous conseillons de faire de l'exercice 2 ou 3 fois par semaine. Les séances d'extension et de relaxation peuvent être plus fréquentes. Comme pour les autres séances (cardio-vasculaires), nous vous conseillons de vous entraîner à votre rythme. Commencez l'entraînement à basse intensité et augmentez l'intensité de votre entraînement selon votre expérience personnelle.

### **Posture**

- En général, vous devriez être à l'aise en faisant les exercices.
- Tenez-vous toujours bien droit. Evitez de vous affaler sur la machine.
- Tous les exercices et extensions doivent être faits 'activement', alors que vous pouvez relâcher la tension dans vos muscles pendant un massage ou une séance de relaxation.
- Maintenez les abdominaux tendus pour rendre la séance de mise en forme plus efficace.
- Pliez les genoux pendant tous les exercices. Ne 'verrouillez' pas les articulations et ne tendez pas les jambes pendant l'exercice. Les vibrations doivent passer par les muscles et non par les articulations.

### AVERTISSEMENT

- Si vous sentez une forte vibration allant jusqu'à la tête, votre posture n'est pas bonne.

### **Autres bandes de résistance**

L'appareil d'entraînement est livré avec des bandes de résistance supplémentaires afin d'intensifier ou de réguler la difficulté de l'entraînement à votre guise.

### AVERTISSEMENT

- Les bandes de résistance supplémentaires ne peuvent être utilisées qu'en position debout sur l'équipement, afin de ne pas soulever entièrement la machine et éviter de l'endommager lorsqu'elle redescend.

### **Fixation des bandes de résistance supplémentaires**

- Former une boucle avec la bande de résistance supplémentaire et la faire passer dans l'un des anneaux/supports situés au bas à l'avant de l'appareil.
- Passer la poignée de la bande de résistance dans la boucle de la bande et tirer afin d'obtenir une excellente fixation facile à détacher.
- Une seule bande de résistance supplémentaire peut être insérée sur chacun des deux anneaux disponibles.
- Retirer la bande élastique en suivant l'ordre inverse suivant.

## Réglage de la longueur des bandes de résistance

Pour adapter les bandes de résistance à votre taille, il est recommandé d'ajuster leur longueur en conséquence.

- Pour régler la longueur de la bande de résistance, insérer la bande dans le curseur situé sur le côté de la poignée, puis la faire passer à nouveau dans la poignée.

## Fixation du siège au cadre de base

Pour fixer le siège au cadre, il faut d'abord ouvrir les capuchons à la surface du siège pour libérer les orifices de fixation de la poignée du siège.

Poser le siège sur les orifices et le pousser pour assurer une bonne fixation.

Lors du retrait ultérieur du siège du cadre de base, sortir le siège tout en empêchant le cadre de se soulever.

Veiller à ce que les orifices de fixation soient refermés avec les capuchons de surface lorsque le siège n'est pas monté.

### REMARQUE

- La fixation ne doit pas être trop serrée afin que le siège monté ne puisse pas servir de poignée pour soulever la machine.

Le siège peut être utilisé pour différents types d'entraînement.

## Console

### Explication des boutons

#### Mise en route :

Appuyez sur le bouton après avoir branché la fiche secteur, l'écran LCD affiche « 00 » « 10 », la machine alterne entre le « Mode On » et le « Mode Veille ».

#### “P”, “P1” “P2” “P3” (programme auto)

Appuyez sur le bouton du programme Auto pour démarrer rapidement un profil pré-programmé.

#### (Démarrage / Pause)

- Appuyez sur le bouton pour démarrer la plateforme vibrante.
- Appuyez sur ce bouton pour interrompre le fonctionnement de la machine.

#### S ▲ (speed +)

Augmenter la vitesse : Manuel 1-30. ( ± 1)

- Appuyez sur ce bouton pour augmenter la vitesse pendant le fonctionnement de la machine.

#### S ▼ (speed -)

Réduire la vitesse : Manuel 1-30. ( ± 1)

- Appuyez sur ce bouton pour réduire la vitesse pendant le fonctionnement de la machine.

#### T ▲ (time +)

Augmenter la durée :

La durée de fonctionnement par défaut est de 10 minutes, divisée en 10 niveaux.

Appuyez sur ce bouton pour augmenter la durée. ( ± 1 minute)

#### T ▼ (time -)

Réduire la durée : la durée de fonctionnement par défaut est de 10 minutes, divisée en 10 niveaux.

Appuyez sur ce bouton pour réduire la durée.

#### « 10 » « 15 » « 20 » (bouton rapide manuel)

Appuyez sur le bouton rapide manuel pour démarrer un entraînement en mode manuel avec la durée préréglée rapide.

### REMARQUE

- La portée de réception efficace du signal de la télécommande est de 2,5 mètres, le voyant d'émission infrarouge de la commande doit être aligné sur la fenêtre de réception infrarouge de la plateforme vibrante.

## Télécommande

La télécommande est livrée sans piles et elles doivent être achetées et installées avant de l'utiliser.

La télécommande nécessite 2 piles de type AAA.

### Pour installer/remplacer les piles

- Retirez le couvercle. (Situé à l'arrière).
- Retirez les piles usagées.  
Valable uniquement lors du remplacement des piles par des piles neuves.
- Insérez les piles neuves.  
Assurez-vous que les piles correspondent aux marques de polarité (+) et (-).
- Remplacez le couvercle.

### REMARQUE

- Les piles usagées doivent toujours être recyclées conformément aux réglementations locales afin de préserver l'environnement.

### AVERTISSEMENT

- N'exposez pas les piles à de grands changements de température pour éviter qu'elles ne coulent.
- Pour éviter que vos piles ne coulent, retirez-les si vous prévoyez de ne pas utiliser votre appareil pendant de longues périodes.
- Lorsque vous insérez plusieurs piles dans un appareil, utilisez toujours la même marque, le même type et le même niveau d'énergie.

## Fonctions des touches

Les fonctions des touches de la télécommande correspondent aux touches de l'écran de l'unité principale et ont donc la même fonctionnalité.

La télécommande fonctionne selon un protocole infrarouge.

Il faut donc un espace non obstrué entre l'émetteur de la télécommande et le récepteur de la console pour qu'elle fonctionne correctement.

## Explication des fonctions à l'écran

### Speed (Vitesse)

- Affiche la fréquence vibratoire actuelle de l'entraînement.
- Plage: 1 ~ 30.



## REMARQUE

Speed level	Motor RPM	Formula	Hz
Speed 1	500	500/ 60	8.33
Speed 2	510	510/ 60	8.50
Speed 29	790	790/ 60	13.17
Speed 30	800	800/ 60	13.33

Speed level	Niveau de vitesse
Motor RPM	Régime du moteur
Formula	formule de calcul
Hz	Hertz

### Time/ Program

- Montre la durée qu'il reste à courir en mode entraînement.
- Montre le temps à atteindre en mode programmation.
- Montre la sélection de programme en étant en mode programmation.

## Stockage et de maintenance

### AVERTISSEMENT

- Avant le nettoyage, s'assurer que l'interrupteur principal est sur Arrêt et que la fiche secteur a été débranchée de la prise.
- Le tapis supérieur de protection en caoutchouc et les caches peuvent être nettoyés avec un chiffon humide imprégné de détergent. Éliminer le détergent à l'aide d'un chiffon.
- Ne pas nettoyer la plateforme vibrante avec un détergent corrosif comme du benzène ou du diluant qui peuvent entraîner une décoloration, la corrosion ou des fissures sur la coque de la plateforme vibrante.
- Ne pas renverser d'eau sur la plateforme vibrante pour éviter les courts-circuits.

### ATTENTION

- Ne pas transporter l'appareil en le tenant par son cordon d'alimentation et ne pas se servir du cordon comme une poignée.

## Nettoyage des surface

### Nettoyer la télécommande

Ne pas utiliser un chiffon humide pour nettoyer la commande mais uniquement un chiffon sec.

Avant de nettoyer la télécommande, il est recommandé de retirer la batterie.

### Stockage et maintenance

- S'assurer que l'interrupteur principal est sur Arrêt et que la fiche secteur a été débranchée de la prise.
- Éliminer la poussière et les salissures présentes sur la plateforme vibrante et veiller en permanence à sa propreté. Ne pas l'utiliser dans des lieux où règnent des températures ou une humidité élevées.
- Si la plateforme vibrante reste inutilisée pendant une période prolongée, la couvrir d'une housse anti-poussière (à acheter séparément) pour éviter la pénétration de poussière.

Remplacement de fusible : tourner le socle du fusible dans le sens de la flèche (dans le sens inverse des aiguilles d'une montre) et remettre en place le fusible en le vissant dans le sens des aiguilles d'une montre.

### REMARQUE

- Veuillez contacter le service après-vente si vous ne parvenez pas à résoudre un problème.

## Informations supplémentaires

### Élimination des emballages

Les réglementations gouvernementales nous demandent de réduire la quantité de matériaux déposés dans les décharges. C'est pour cela que nous faisons appel à votre responsabilité et vous demandons de déposer les emballages dans des centres de recyclage publics.

### Élimination du produit

Chez Tunturi, nous espérons que vous profiterez longtemps de votre appareil de fitness. Cependant, nous savons bien qu'un jour ou l'autre votre machine arrivera au terme de sa vie utile. Selon la directive européenne sur les DEEE, vous êtes responsable de vous séparer correctement de votre appareil de fitness en le déposant dans un site public agréé de récupération des déchets.

## Dépannage

### Démarrage impossible de la plateforme vibrante

- La fiche secteur n'est pas branchée : brancher la fiche secteur.
- L'interrupteur principal est sur OFF. Placer l'interrupteur principal sur ON.
- Le fusible thermique a brûlé, le remplacer par un fusible neuf du même modèle.

### Un sifflement ou un autre bruit se fait entendre pendant le fonctionnement

- Il s'agit de sons normaux produits par le moteur et causés par le frottement des pièces mécaniques.

### Utilisation de la commande mais la plateforme vibrante ne répond pas.

- La batterie de la commande est faible, remplacer la batterie.
- La télécommande n'est pas à portée des récepteurs. S'assurer que l'espace entre l'émetteur et le récepteur n'est pas obstrué et ne dépasse pas 2,5 mètres.

### Arrêt soudain de la machine

- La durée de fonctionnement par défaut ou prédéfinie s'est écoulée. Redémarrer la machine après 10 minutes.

### La machine ne répond pas aux commandes

- Un trop grand nombre de commandes sont envoyées à la machine dans un délai court et ne peuvent pas être traitées simultanément. Redémarrer la machine, débrancher le cordon d'alimentation pendant au moins 5 secondes, puis démarrer la machine.

### L'écran affiche ER01 ou ER02

Problème d'alimentation électrique du moteur. La machine s'arrête pour éviter tout dommage. Redémarrer la machine, débrancher le cordon d'alimentation pendant au moins 5 secondes, puis démarrer la machine.

## Garantie

### Garantie du propriétaire d'un équipement de Tunturi

#### Conditions de garantie

Le consommateur est protégé par la législation en vigueur concernant le commerce des biens de consommation. Cette garantie ne limite pas ces droits. La Garantie de l'acheteur n'est valide que si le produit est utilisé dans l'environnement préconisé par la société Tunturi New Fitness BV, et est conservé tel que cela est indiqué pour cet équipement donné. L'environnement approuvé spécifique au produit et les instructions d'entretien sont indiqués dans le « manuel d'utilisation » du produit. Le « manuel d'utilisation » peut être téléchargé sur notre site Web. <http://manuals.tunturi.com>

#### Conditions de garantie

Les conditions de garantie sont applicables à compter de la date d'achat et peuvent varier selon les pays. Demandez conseil à votre revendeur.

#### Étendue de la garantie

En aucun cas Tunturi New Fitness BV, le revendeur ou le distributeur Tunturi ne répondra des éventuels dommages spéciaux, indirects, secondaires ou consécutifs, de quelque nature que ce soit, liés à l'utilisation de ou à l'inaptitude à utiliser cet équipement.

#### Restrictions de garantie

La garantie couvre les défauts de fabrication et de matériaux dans un équipement d'origine, sorti d'usine et conditionné par Tunturi New Fitness BV. La garantie couvre uniquement les défauts apparaissant lors d'une utilisation normale et conforme aux instructions du manuel du propriétaire, à condition que les instructions de montage, de maintenance et d'utilisation établies par Tunturi New Fitness BV aient été respectées. Tunturi New Fitness BV et les revendeurs Tunturi ne répondent pas des défauts occasionnés par des conditions indépendantes de leur volonté. La garantie est applicable uniquement au premier acheteur et est valable uniquement dans les pays où Tunturi New Fitness BV dispose d'un distributeur agréé. La garantie ne s'étend pas aux équipements de fitness ou aux pièces qui ont été modifiées sans l'autorisation de Tunturi New Fitness BV. La garantie ne s'applique pas aux défauts provenant d'une usure normale, d'une utilisation inadaptée, d'une utilisation dans des conditions non prévues par le fabricant, de la corrosion ou d'un dommage intervenu lors du chargement ou du transport.

La garantie ne couvre pas les sons ou les bruits émis par l'équipement s'ils ne gênent pas son utilisation et s'ils ne sont pas provoqués par un dysfonctionnement.

La garantie ne couvre pas non plus les mesures de maintenance, telles que le nettoyage, la lubrification ou la vérification normale des pièces, ni les actions que le client peut effectuer lui-même et qui n'exigent pas particulièrement de monter/ démonter l'équipement. Ces actions sont par exemple le changement des compteurs, des pédales ou autres pièces similaires faciles à changer. Seules les réparations sous garantie effectuées par un revendeur ou par le distributeur agréé Tunturi seront prises en charge. Le non-respect des instructions décrites dans le Manuel de l'Utilisateur entraînera l'annulation de la garantie.

## Données techniques

Paramètre	Unité de mesure	Valeur
Mesure de la fréquence cardiaque disponible via:	contact par prise en main 5,3 ~ 5,4 kHz. Bluetooth (BLE) ANT+	<input checked="" type="checkbox"/> <input checked="" type="checkbox"/> <input checked="" type="checkbox"/> <input checked="" type="checkbox"/>
Amplitude	mm	10 (±1)
Force	G	
Longueur	cm inch	58.0 22.8
Largeur	cm inch	33.0 13.0
Hauteur	cm inch	34.0 13.4
Poids	kg lbs	11.3 24.9
Poids maxi. utilisateur	kg lbs	150 330
Tension secteur	VCA	210~240
Fréquence secteur	HZ	50~60

## Déclaration du fabricant

Tunturi Fitness BV déclare que le produit est conforme aux directives et normes suivantes : EN 957 (HC), 2014/30/EU . Ce produit porte donc la marque CE.

04-2020

Tunturi New Fitness BV  
Purmerweg 1  
1311 XE Almere  
Pays-Bas

## Limite de responsabilité

© 2020 Tunturi New Fitness BV  
Tous les droits réservés.

- Le produit et le manuel sont sujets à modifications.
- Les spécifications peuvent changer sans préavis.
- Consultez notre site Web pour obtenir la dernière version du manuel d'utilisation.

## Nederlands

Deze Nederlandse handleiding is een vertaling van de Engelse tekst. Aan deze vertaling kunnen geen rechten ontleend worden. De originele Engelse tekst blijft leidend.

## Inhoud

<b>Welkom.....</b>	<b>21</b>
<b>Veiligheidsmaatregelen Gebruiksomgeving .....</b>	<b>21</b>
<b>Uitleg van de afbeeldingen .....</b>	<b>22</b>
Beschrijving afbeelding A .....	22
Beschrijving afbeelding B.....	22
Beschrijving afbeelding C .....	22
Beschrijving afbeelding D .....	22
<b>Gebruik.....</b>	<b>22</b>
Positie.....	22
Extra weerstandskabels.....	22
Zitting aan basisframe bevestigen .....	23
<b>Console .....</b>	<b>23</b>
Werkning van de knoppen.....	23
Afstandsbediening .....	23
Uitleg van de displayfuncties .....	24
<b>Opslag en onderhoud.....</b>	<b>24</b>
Reiniging van het oppervlak .....	24
Aanvullende informatie .....	24
<b>Oplossen van problemen.....</b>	<b>24</b>
<b>Garantie .....</b>	<b>25</b>
<b>Technische gegevens .....</b>	<b>25</b>
<b>Verklaring van de fabrikant .....</b>	<b>25</b>
<b>Disclaimer .....</b>	<b>25</b>

## Welkom

Welkom in de wereld van Tunturi Fitness!

Hartelijk dank voor uw aankoop van dit Tunturi-toestel. Tunturi biedt een grote verscheidenheid aan professionele toestellen zoals crosstrainers, loopbanden, fietstrainers, roeimachines, krachtbanken, multistations en accessoires. Het Tunturi-toestel is geschikt voor de hele familie, onafhankelijk van de conditie. Meer informatie vindt u op de website [www.tunturi.com](http://www.tunturi.com)

## Belangrijke Informatie

Deze handleiding is een essentieel onderdeel van uw trainingsapparatuur. Lees alle instructies in deze handleiding voordat u de apparatuur in gebruik neemt. De volgende voorzorgsmaatregelen moeten altijd in acht worden genomen:

## Veiligheidsmaatregelen Gebruiksomgeving

- Gebruik de trilplaat niet in een vochtige of stoffige omgeving. Zo voorkomt u een elektrische schok of storing van de mechanische onderdelen.
- Gebruik de trilplaat niet wanneer de temperatuur binnen hoger is dan 40°C.
- Gebruik de trilplaat niet in de open lucht of in direct zonlicht.
- Plaats de trilplaat op een vlakke vloer.

### ⚠ GEVAAR

- Wacht een uur voordat u de trilplaat gebruikt wanneer deze van een ruimte met een lage temperatuur naar een ruimte met een hoge temperatuur is verplaatst. Zo voorkomt u dat waterdamp condenseert op het apparaat, wat kan leiden tot een storing.

## Wij raden mensen met de onderstaande aandoeningen aan de trilplaat niet te gebruiken.

- Vooral als u onder behandeling bent of zich niet goed voelt, raden wij u sterk aan om uw arts te raadplegen voordat u het apparaat gebruikt.
- Mensen met een kwaadaardige tumor.
- Vrouwen die zwanger zijn of menstrueren.
- Mensen met een hartkwaal of osteoporose.
- Mensen met een pacemaker of andere elektronische medische implantaten.
- Mensen met kunstmatige ledematen.
- Mensen die gevoelig zijn voor trillingen en inspannende oefeningen.

## © Instructies voor tijdens het gebruik

- Om schade of lichamelijk letsel te voorkomen, raden wij u aan uw horloge, armband, mobiele telefoon of andere waardevolle voorwerpen, evenals sleutels, messen of andere scherpe voorwerpen te verwijderen.
- Rook niet tijdens het gebruik van de trilplaat.
- Gebruik de trilplaat niet samen met andere medische apparatuur.
- Gebruik de trilplaat niet voor medische doeleinden.
- Gebruik de trilplaat niet direct na een maaltijd of drankje.
- Houd kinderen en/of huisdieren uit de buurt van de trilplaat wanneer u deze gebruikt.
- Steek geen vingers of andere voorwerpen in de opening tussen de middelste afdekplaat en de onderste plaat.
- Kinderen jonger dan 10 jaar en ouderen vanaf 60 jaar moeten tijdens het gebruik van de trilplaat in de gaten worden gehouden.
- De maximale belasting van de trilplaat is 150kg (330lbs). Wij raden mensen die zwaarder zijn aan de trilplaat niet te gebruiken.
- Deze trilplaat mag slechts door één persoon tegelijk worden gebruikt.

### ⚠ WAARSCHUWING

- Niet-geautoriseerde demontage of reparatie is niet toegestaan, omdat dit kan leiden tot een elektrische schok of storing. Neem onmiddellijk contact op met de fabrikant of de plaatselijke dealer in geval er onderhoudswerkzaamheden vereist zijn.

### Stop onder de onderstaande omstandigheden met het gebruik van de trilplaat en haal onmiddellijk de stekker uit het stopcontact.

- Er is per ongeluk water of een andere vloeistof gemorst op de trilplaat of de afstandsbediening.
- Onderdelen zijn beschadigd of interne onderdelen worden blootgesteld.
- U voelt abnormale of ernstige pijn tijdens het gebruik.
- Stroomstoring.
- Onweer of bliksem.

### Stekker en stroomsnoer

- Controleer of de spanning overeenkomt met de spanning die wordt vermeld voor de trilplaat.
- Haal de stekker niet uit het stopcontact met natte handen. Zo voorkomt u een elektrische schok.
- Wanneer u de stekker uit het stopcontact haalt, trek dan aan de stekker en niet aan het stroomsnoer.
- Zet de aan/uit-schakelaar uit en haal de stekker uit het stopcontact in het geval van een stroomstoring of wanneer u het apparaat langere tijd niet gebruikt.
- Gebruik de trilplaat niet meer als het stroomsnoer beschadigd is. Zet in dit geval de aan/uit-schakelaar uit, trek de stekker uit het stopcontact en vervang het stroomsnoer of neem contact op met een technicus voor reparatie.
- Laat het snoer niet onder het toestel door lopen. Laat het snoer niet onder een kleed door lopen. Plaats geen voorwerpen op het snoer.

## Uitleg van de afbeeldingen

### Beschrijving afbeelding A

De afbeelding laat zien welke componenten en onderdelen er in je pakket moeten zitten.

#### ⚠ OPMERKING

- Kleine onderdelen kunnen soms enigszins verborgen verpakt zitten in holle ruimtes in het beschermende piepschuimmateriaal om het product.
- Neem contact op met de dealer wanneer een onderdeel ontbreekt.

### Beschrijving afbeelding B

De afbeelding toont hoe de handgrepen op het frame van het zitkussen moeten worden aangebracht.

#### ⚠ OPMERKING

- De schroevendraaier die voor deze montage nodig is, is niet bijgesloten.

### Beschrijving afbeelding C

De afbeelding toont de toetsen op het bedieningspaneel en de afstandsbediening.

### Beschrijving afbeelding D

De afbeeldingen tonen de vooraf ingestelde programmaprofielen.

## Gebruik

We raden aan om 2 tot 3 keer per week te trairgen. Stretchen en relaxende oefeningen kunnen vaker worden uitgevoerd. Met andere (vetverbradings) oefeningen raden wij aan om te trainen naar eigen wens. Start de training bij lage intensiteit en verhoog de intensiteit van de training naar persoonlijke ervaring.

### Positie

- In het algemeen moet u zich comfortabel voelen tijdens de oefeningen.
- Zorg altijd dat uw rug recht is, en probeer te voorkomen om aan de machine te hangen.
- Alle oefeningen en stretchen zullen 'actief' gedaan worden. Bij relaxen of masseren kunt u wel rustig ontspannen.
- Houd uw buikspieren aangespannen tijdens de training om de oefening meer effectief te maken
- Gedurende alle oefeningen moet u uw knieën gebogen hebben, zet geen van uw gewrichten op slot en strek uw benen niet. De vibratie moet door uw spieren geleiden en niet door uw gewrichten.

#### ⚠ WAARSCHUWING

- Zodra u een hoge vibratie in uw hoofd voelt is uw positie niet goed.

### Extra weerstandskabels

De trainer wordt geleverd met extra weerstandskabels die je kunt gebruiken om je training naar wens te intensiveren of te variëren.

#### ⚠ WAARSCHUWING

- De extra weerstandskabels mogen alleen worden gebruikt wanneer men op het toestel staat. Dit om te voorkomen dat het volledige toestel wordt opgetild en daardoor het risico bestaat dat het toestel beschadigd raakt door de klap waarmee het toestel weer neerkomt.

### Extra weerstandskabels bevestigen

- Neem de lus van de extra weerstandskabel en haal deze door een van de ringen/beugels aan de onderkant van de voorkant van je trainer.
- Leid de handgreep van de extra weerstandskabel door de lus van de kabel en trek deze strak, zodat je een gemakkelijk afneembare maar stevige bevestiging krijgt.
- Aan elk van de twee beschikbare ringen kan slechts één extra weerstandskabel worden bevestigd.
- Verwijder de kabel in omgekeerde volgorde.

### Lengte van de weerstandskabels instellen

Om de weerstandskabels aan je lichaamslengte aan te passen, is het raadzaam de lengte af te stellen.

- Om de lengte van de weerstandskabel aan te passen, duw je de kabel door de schuifknop aan de kant van de handgreep, en trek je hem weer strak door de handgreep.

## Zitting aan basisframe bevestigen

Om de zitting aan het basisframe te bevestigen, moeten eerst de afdekoppen van de zitting worden geopend om de bevestigingsopeningen van de handgreep van de zitting vrij te maken.

Plaats de zitting boven de openingen en duw hem naar binnen om de bevestiging vast te zetten.

Als je de zitting weer van het basisframe verwijdert, trek dan de zitting eruit terwijl je voorkomt dat het basisframe wordt opgetild. Zorg ervoor dat de bevestigingsopeningen van de handgreep van de zitting gesloten zijn met de afdekoppen wanneer de zitting niet gemonteerd is.

### OPMERKING

- De bevestiging is niet strak, zodat de bevestigde zitting niet kan worden gebruikt als handgreep om de machine op te tillen.

De zitting kan worden gebruikt voor verschillende variaties in je training.

## Console

### Werking van de knoppen

#### Aan/uit-schakelaar:

Druk op de toets wanneer de stekker in het stopcontact zit. Op het display wordt '00' '10' weergegeven en het apparaat kan schakelen tussen de 'Aan' en de 'Stand-by' modus.

#### "P", "P1" "P2" "P3" (Automatisch programma)

Druk op de toets 'automatisch programma' om snel een voorgeprogrammeerd profiel te starten.

#### (Starten / Onderbreken)

- Druk op de toets om de trilplaat te starten.
- Druk tijdens het gebruik op deze toets om de werking van het apparaat te stoppen.

#### S ▲ (speed +)

Snelheid verhogen: Handmatig 1- 30. ( ± 1)

- Druk op deze toets om de snelheid te verhogen wanneer het apparaat in bedrijf is.

#### S ▼ (speed -)

Snelheid verlagen: Handmatig 1- 30. ( ± 1)

- Druk op deze toets om de snelheid te verlagen wanneer het apparaat in bedrijf is.

#### T ▲ (time +)

Tijd verhogen:

De standaard werktijd is 10 minuten, verdeeld in 10 niveaus.

Druk op deze toets om de tijd te verhogen. (± 1 minuut)

#### T ▼ (time -)

De standaard werktijd is 10 minuten, verdeeld in 10 niveaus.

Druk op deze toets om de tijd te verlagen.

## '10' '15' '20' (Handmatige sneltoets)

Druk op de handmatige sneltoets om snel een workout met een vooraf ingestelde tijd te starten.

### OPMERKING

- Het effectieve ontvangstbereik van het signaal van de afstandsbediening is 2,5 meter. Het infrarood-signaal van de afstandsbediening moet worden gericht op het infrarood-ontvangstvenster op de trilplaat.

## Afstandsbediening

De afstandsbediening wordt geleverd zonder batterijen, en moet vóór gebruik worden aangeschaft en geïnstalleerd.

De afstandsbediening werkt op 2 AAA-batterijen.

### Plaatsen/ vervangen van de batterijen

- Verwijder het deksel. (Zit aan de achterkant).
- Verwijder de oude batterijen.  
Dit geldt alleen als de batterijen worden vervangen door nieuwe.
- Plaats de nieuwe batterijen.  
Let bij het plaatsen van de batterijen op de (+) en (-) polariteitsmarkeringen.
- Plaats het deksel.

### OPMERKING

- Om het milieu te sparen, moeten lege batterijen altijd worden gerecycled volgens de plaatselijke wettelijke voorschriften.

### WAARSCHUWING

- Stel de batterijen niet bloot aan grote temperatuurschommelingen. Zo voorkomt u dat ze gaan lekken.
- Om te voorkomen dat de batterijen gaan lekken, moet u ze verwijderen als u van plan bent het toestel langere tijd niet te gebruiken.
- Wanneer u meerdere batterijen in een apparaat plaatst, moet u altijd batterijen van hetzelfde merk, hetzelfde type en hetzelfde energieniveau gebruiken.

### Functies van de toetsen

De functies van de toetsen op de afstandsbediening komen overeen met die van de toetsen op het hoofddisplay, en werken dus op dezelfde manier.

De afstandsbediening werkt volgens een infraroodsysteem.

Voor een goede werking ervan mag daarom de ruimte tussen de zender van de afstandsbediening en de ontvanger niet wordt geblokkeerd.



## Uitleg van de displayfuncties

### Speed (snelheid)

- Geeft de huidig ingestelde trillingsfrequentie weer.
- Bereik: 1 ~ 30

### ⚠ OPMERKING

Speed level	Motor RPM	Formula	Hz
Speed 1	500	500/ 60	8.33
Speed 2	510	510/ 60	8.50
Speed 29	790	790/ 60	13.17
Speed 30	800	800/ 60	13.33

Speed level	Snelheid niveau
Motor RPM	Motor toerental
Formula	Reken formule
Hz	Hertz

### Time/ Program

- Toont de resterende tijd bij een workout.
- Toont de streeftijd in de programmeringsmodus.
- Toont het gekozen programma in de programmeringsmodus.

## Opslag en onderhoud

### ⚠ WAARSCHUWING

- Controleer voordat u start met het reinigen of de aan/uit-schakelaar op uit staat en of de stekker uit het stopcontact is getrokken.
- De rubberen beschermmat en afdekplaten kunnen worden gereinigd met een vochtige doek met een reinigingsmiddel. Het reinigingsmiddel moet worden verwijderd met een droge doek.
- Reinig de trilplaat niet met een bijtend reinigingsmiddel zoals wasbenzine of thinner, omdat dit kan leiden tot verkleuring, corrosie of barsten in de behuizing van de trilplaat.
- Zorg ervoor dat u geen water spat in de trilplaat. Zo voorkomt u kortsluiting.

### ⚠ LET OP

- Draag dit apparaat nooit aan het stroomsnoer en gebruik het snoer nooit als handvat.

## Reiniging van het oppervlak

### Reinigen van de afstandsbediening

Gebruik hiervoor een droge doek, omdat een vochtige doek kan zorgen voor storingen in de afstandsbediening. Wij raden u aan eerst de batterij te verwijderen uit de afstandsbediening, voordat u de afstandsbediening reinigt.

### Opslag en onderhoud

- Controleer of de aan/uit-schakelaar op uit staat en of de stekker uit het stopcontact is gehaald.
- Verwijder stof en vuil van de trilplaat en houd deze schoon en uit de buurt van plekken met hoge temperaturen of een hoge luchtvochtigheid.

- Als de trilplaat gedurende langere tijd niet wordt gebruikt, plaats dan een stofdichte kap (niet meegeleverd) op de trilplaat om het binnendringen van stof te voorkomen.

Zekering vervangen: draai de zekeringhouder in de richting van de pijl (linksom) en vervang de zekering. Draai deze rechtsom.

### ⚠ OPMERKING

- Neem contact op met de aftersales-afdeling als de storing niet door de klant zelf kan/mag worden verholpen

## Aanvullende informatie

### Afvoeren van verpakkingsmateriaal

Overheids-richtlijnen geven aan dat we de hoeveelheid afvalmateriaal afgevoerd naar stortplaatsen moeten verminderen. Daarom vragen we u al het afvalmateriaal op verantwoordelijke wijze af te voeren naar openbare recycling-centra.

### Verwijdering aan het eind van de levensduur.

We hopen dat u jarenlang plezier hebt van uw fitnessapparaat. Er komt echter een moment waarop het fitnessapparaat het eind van de bruikbare levensduur heeft bereikt. Onder de Europese AEEA-wetgeving bent u verantwoordelijk voor het op de juiste wijze afvoeren van uw fitnessapparaat naar een erkend openbaar inzamelpunt.

## Oplossen van problemen

### De trilplaat kan niet worden gestart

- De stekker zit niet in het stopcontact. Steek de stekker in het stopcontact om het probleem op te lossen.
- De aan/uit-schakelaar staat in de UIT-modus. Zet de aan/uit-schakelaar in de AAN-modus.
- De thermische zekering is doorgebrand. Vervang deze door een nieuwe zekering van hetzelfde type.

### Geluiden wanneer het apparaat in bedrijf is

- Dit zijn normale operationele geluiden die worden geproduceerd door de motor of door het contact tussen mechanische onderdelen.

### De afstandsbediening wordt bediend, maar de trilplaat reageert niet.

- De batterij van de afstandsbediening is bijna leeg. Vervang de batterij om het probleem op te lossen.
- De afstandsbediening is buiten het bereik van de ontvanger. Zorg ervoor dat de ruimte tussen de zender en de ontvanger niet wordt geblokkeerd en niet meer is dan 2,5 meter.

### Het apparaat stopt plotseling

- De standaard of vooraf ingestelde werktijd is verstreken. Start het apparaat na 10 minuten opnieuw op.

### Het apparaat reageert niet op opdrachten

- Er worden binnen korte tijd te veel opdrachten verstuurd, die niet gelijktijdig kunnen worden verwerkt. Stop het apparaat, haal de stekker ten minste 5 seconden uit het stopcontact en start daarna het apparaat weer op om het probleem op te lossen.

**Op het display wordt ER01 of ER02 weergegeven**

Probleem met het motorvermogen en het apparaat stopt om schade te voorkomen. Stop het apparaat, haal de stekker ten minste 5 seconden uit het stopcontact en start daarna het apparaat weer op om het probleem op te lossen.

**Garantie****Garantie voor eigenaars van Tunturi trainingsapparatuur****Garantievoorwaarden**

De consument heeft recht op de geldende wettelijke rechten met betrekking tot de handel in consumptiegoederen die worden vermeld in de nationale wet- en regelgeving. Deze garantie zal deze rechten niet beperken. De garantie voor de eigenaar geldt alleen wanneer het apparaat wordt gebruikt in een door Tunturi New Fitness BV voor dat specifieke apparaat toegestane omgeving en wordt onderhouden volgens de aanwijzingen. De goedgekeurde omgeving en onderhoudsinstructies voor het product staan vermeld in de "gebruikershandleiding" van het product. De "gebruikershandleiding" kan worden gedownload van onze website. <http://manuals.tunturi.com>

**Garantievoorwaarden**

De garantievoorwaarden gaan in vanaf de datum van aankoop. Deze kunnen per land verschillen. Vraag in de winkel bij u in de buurt naar de garantievoorwaarden.

**Garantiedekking**

In geen enkele omstandigheid zal Tunturi New Fitness BV of een wederverkoper van Tunturi aansprakelijk zijn voor eventuele indirecte schade geleden door de koper, zoals verlies van gebruiksnuut of inkomstenderving of andere indirecte economische gevolgen.

**Garantiebeperkingen**

De garantie dekt defecten van het toestel die het gevolg zijn van materiaalfouten of onjuist uitgevoerd werk, mits het toestel zijn originele samenstelling heeft. De garantie betreft alleen defecten die blijken tijdens normaal gebruik overeenkomstig de meegeleverde gebruiksaanwijzing, mits de montage-, onderhouds- en gebruiksaanwijzingen van Tunturi zijn opgevolgd. Tunturi New Fitness BV en zijn wederverkopers zijn niet aansprakelijk voor defecten tengevolge van factoren waarop zij geen invloed kunnen uitoefenen. De garantie betreft alleen de eerste eigenaar van het toestel en is alleen geldig in landen waar een geautoriseerde importeur van Tunturi New Fitness BV is gevestigd. De garantie betreft geen trainingstoestellen of onderdelen die zijn gewijzigd zonder toestemming van Tunturi New Fitness BV. De garantie dekt geen defecten tengevolge van normale slijtage, onjuist gebruik, gebruik in omstandigheden waarvoor het toestel niet is bedoeld, corrosie of schade ontstaan tijdens laden of transport. De garantie geldt niet voor geluiden die ontstaan door het gebruik, als ze het gebruik van het apparaat niet wezenlijk belemmeren en niet veroorzaakt zijn door een defect aan het apparaat.

De garantie omvat ook geen onderhoudsmaatregelen, zoals reiniging, smering of normale inspectie van onderdelen, noch dergelijke montagewerkzaamheden die de klant zelf kan uitvoeren en die geen speciale demontage en montage van het toestel vereisen. Dit soort maatregelen zijn bijv. vervanging van monitoren, pedalen of andere vergelijkbare eenvoudige onderdelen. Garantieherstel dat is uitgevoerd door een ander dan de

geautoriseerde Tunturi-vertegenwoordiger wordt niet vergoed. De garantie geldt alleen voor normaal, voorgeschreven gebruik van het product zoals beschreven in de handleiding.

**Technische gegevens**

Parameter	Meeteenheid	Waarde
Hartslagmeting beschikbaar via:	handgreepcontact 5.3~ 5.4 Khz. Bluetooth (BLE) ANT+	<input checked="" type="checkbox"/> <input checked="" type="checkbox"/> <input checked="" type="checkbox"/> <input checked="" type="checkbox"/>
Amplitude	mm	10 (±1)
Force	G	
Lengte	cm inch	58.0 22.8
Breedte	cm inch	33.0 13.0
Hoogte	cm inch	34.0 13.4
Gewicht	kg lbs	11.3 24.9
Max. gewicht gebruiker	kg lbs	150 330
Netspanning	VAC	210~240
Spanning frequentie	HZ	50~60

**Verklaring van de fabrikant**

Tunturi New Fitness BV verklaart dat het product voldoet aan de volgende normen en richtlijnen: EN 957 (HC), 2014/30/EU. Het product is derhalve voorzien van het CE-label.

04-2020

Tunturi New Fitness BV  
Purmerweg 1  
1311 XE Almere  
The Netherlands

**Disclaimer**

© 2020 Tunturi New Fitness BV  
Alle rechten voorbehouden.

- Het product en de handleiding zijn aan veranderingen onderhevig.
- Specificaties kunnen zonder verdere kennisgeving worden veranderd.
- Raadpleeg onze website voor de meest recente versie van de gebruikershandleiding.

## Italiano

Questo manuale in lingua italiana è una traduzione dalla versione originale del manuale in lingua inglese.  
Non si possono trarre diritti di traduzione dalla presente traduzione.

## Indice

<b>Benvenuti .....</b>	<b>26</b>
<b>Precauzioni di sicurezza</b>	
<b>Ambiente di utilizzo .....</b>	<b>26</b>
<b>Spiegazione delle illustrazioni .....</b>	<b>27</b>
Illustrazione descrittiva A .....	27
Illustrazione descrittiva B.....	27
Illustrazione descrittiva C .....	27
Illustrazione descrittiva D .....	27
<b>Allenamenti.....</b>	<b>27</b>
Postura .....	27
Cordini di resistenza supplementari.....	27
Fissare il sedile al telaio di base.....	28
<b>Console.....</b>	<b>28</b>
Spiegazione dei tasti.....	28
Telecomando.....	28
Spiegazione delle funzioni del display.....	28
<b>Conservazione e Conservazione e manutenzione ..</b>	<b>29</b>
Pulizia della superficie.....	29
Informazioni aggiuntive.....	29
<b>Risoluzione dei problemi .....</b>	<b>29</b>
<b>Garanzia.....</b>	<b>30</b>
<b>Dati tecnici.....</b>	<b>30</b>
<b>Dichiarazione del fabbricante .....</b>	<b>30</b>
<b>Clausola di esonero della responsabilità.....</b>	<b>30</b>

## Benvenuti

Benvenuti nel mondo di Tunturi Fitness!

Grazie per aver acquistato questo apparecchio Tunturi. Tunturi offre un'ampia gamma di apparecchi per fitness professionale, fra cui crosstrainer, tapis roulant, cyclette, vogatori, panche di forza e multi stazioni. Questo apparecchio Tunturi è adatto per tutta la famiglia, a prescindere dal livello di forma fisica. Per ulteriori informazioni, visitare il sito Web [www.tunturi.com](http://www.tunturi.com)

## Importanti istruzioni di sicurezza

Questo manuale è una parte essenziale dell'attrezzo da allenamento, si prega di leggere tutte le istruzioni fornite prima di iniziare a utilizzare l'attrezzo. Le seguenti precauzioni devono essere sempre seguite:

### Precauzioni di sicurezza Ambiente di utilizzo

- Non usare la piastra vibrante in ambienti umidi o polverosi per evitare la folgorazione o la rottura delle parti meccaniche.
- Non usare la piastra vibrante quando la temperatura all'esterno supera i 40 °C.
- Non usare la piastra vibrante all'aria aperta o sotto la luce diretta del sole.
- Collocare la piastra vibrante su un pavimento in piano.

#### ⚠ PERICOLO

- Attendere un'ora prima di usare la piastra vibrante quando viene spostata da una temperatura bassa a una temperatura alta per evitare che nella macchina si formi vapore acqueo provocato dalla condensa e quindi possa andare incontro a danni.

#### Chi soffre di problemi di salute come quelli riportati in basso non può utilizzare la piastra vibrante.

- Si consiglia vivamente di consultare il proprio medico prima dell'uso, in particolare chi è sottoposto a cure o non si sente bene.
- Pazienti affetti da tumori maligni.
- Donne incinte o in periodo mestruale.
- Cardiopatici o con pazienti con osteoporosi.
- Portatori di pacemaker o altri strumenti elettronici medicali impiantati.
- Persone con arti artificiali;
- Persone sensibili alle vibrazioni e all'esercizio intenso.

#### © Avvisi durante l'uso

- Prima dell'uso togliere orologio, bracciali, telefono o altri oggetti di valore, oltre alle chiavi, coltelli o altri oggetti che possano provocare tagli, così da evitare danni o lesioni corporee.
- Non fumare durante l'uso della piastra vibrante.
- Non usare la piastra vibrante insieme ad altre apparecchiature medicali.
- Non usare la piastra vibrante a scopo terapeutico.
- Non usare la piastra vibrante subito dopo aver mangiato o bevuto.
- Durante l'uso, tenere i bambini e gli animali sempre lontani dalla piastra vibrante.
- È vietato inserire le dita o altri corpi estranei nella fessura tra la copertura intermedia e la copertura della base.
- Durante l'uso della piastra vibrante da parte di bambini di età inferiore ai 10 anni e di persone dai 60 anni in su, è necessaria la supervisione.
- La capacità di carico della piastra vibrante è di 150kg (330lbs); è sconsigliato l'uso dell'apparecchio alle persone di peso superiore.
- L'uso della piastra vibrante è limitato a una sola persona.

#### ⚠ AVVISO

- Per evitare la folgorazione o altri malfunzionamenti, non è consentito lo smontaggio, l'apertura o il rinnovo non autorizzato. Qualora fosse necessario qualsiasi intervento in assistenza, contattare il produttore o il rivenditore locale immediatamente.

### **Interrompere l'uso della piastra vibrante e scollegare il cavo elettrico dall'alimentatore immediatamente qualora si verificano le seguenti condizioni:**

- Schizzi di acqua o altro liquido sulla piastra vibrante o sul dispositivo di comando.
- Eventuali accessori che fossero trovati danneggiati o esposizione di componenti interne.
- Percezione di dolore anomalo o intenso durante l'uso.
- Guasto elettrico.
- Situazione meteo con tuoni o lampi.

### **Spina e cavo elettrico**

- Controllare se la tensione è conforme a quella specificata per la piastra vibrante.
- Non estrarre la presa elettrica con le mani bagnate per evitare folgorazioni.
- Tenere la spina e non il cavo elettrico quando viene effettuato lo scollegamento della presa.
- Spegnerne l'interruttore ed estrarre la spina dall'alimentatore in caso di guasto elettrico o se l'apparecchio non viene usato per un periodo di tempo prolungato.
- Interrompere l'uso della piastra vibrante se il cavo elettrico è danneggiato, spegnere l'interruttore, estrarre la spina e sostituire il cavo elettrico o contattare i tecnici per la riparazione.
- Non far passare il cavo di alimentazione sotto l'apparecchio. Non far passare il cavo di alimentazione sotto un tappeto. Non collocare alcun oggetto sul cavo di alimentazione.

## **Spiegazione delle illustrazioni**

### **Illustrazione descrittiva A**

L'illustrazione mostra i vari componenti e le varie parti presenti quando si apre l'imballo del prodotto.

#### **⚠️ NOTA**

- Le parti di piccole dimensioni potrebbero trovarsi nascoste o infilate in spazi ristretti nella protezione del prodotto in Styrofoam
- In caso di parti mancanti, contattare il proprio rivenditore.

### **Illustrazione descrittiva B**

L'illustrazione mostra come montare le impugnature sul telaio del sedile.

#### **⚠️ NOTA**

- Il cacciavite necessario per questo montaggio non è incluso nella fornitura.

### **Illustrazione descrittiva C**

L'illustrazione mostra la sovrapposizione dei pulsanti del pannello di comando e il telecomando.

### **Illustrazione descrittiva D**

Le illustrazioni mostrano i profili di programma preimpostati.

## **Allenamenti**

Vi consigliamo di allenarvi 2 o 3 volte la settimana. Le sessioni di stretching e di rilassamento possono essere effettuate con maggior frequenza. Come con altri esercizi di tipo cardiovascolare, vi consigliamo di esercitarvi al vostro ritmo. Iniziate con un'intensità ridotta per poi passare a ritmi più veloci in base alla vostra esperienza personale.

### **Postura**

- In linea generale, durante l'allenamento dovrete sentirvi comodi.
- Accertatevi di tenere sempre la schiena dritta ed evitate di 'appendervi' alla macchina.
- Effettuate 'attivamente' tutto l'allenamento e lo stretching, mentre durante il massaggio o il rilassamento potete allentare la tensione muscolare.
- Tendete gli addominali per rendere più efficace l'allenamento.
- Nel corso di tutti esercizi occorre piegare le ginocchia senza 'bloccare' le articolazioni né raddrizzare le gambe durante gli esercizi. Le vibrazioni dovrebbero arrivare ai muscoli, non alle articolazioni.

#### **⚠️ AVVISO**

- Se avvertite vibrazioni estremamente elevate fino al capo, la postura è scorretta.

### **Cordini di resistenza supplementari**

Il tuo trainer è dotato di cordini di resistenza supplementari da utilizzare per intensificare o variare il tuo allenamento secondo le tue necessità.

#### **⚠️ AVVERTENZA**

- I cordini di resistenza supplementari si possono usare solo rimanendo in piedi sull'attrezzo, questo per evitare di sollevare l'intera attrezzatura e quindi danneggiarla per l'eventuale impatto quando ritorna giù.

### **Attaccare i cordini di resistenza supplementari**

- Prendi l'asola del cordino di resistenza supplementare e guidalo attraverso uno degli anelli/supporti sul lato anteriore nella parte bassa del tuo trainer.
- Guida l'impugnatura della fascia di resistenza supplementare attraverso l'asola della fascia e tira forte, per avere un fissaggio facile da staccare ma bloccato bene.
- A ciascuno dei due anelli presenti è possibile fissare un solo cordino di resistenza supplementare.
- Rimuovere la corda elastica seguendo l'ordine inverso.

### **Regolare la lunghezza dei cordini di resistenza**

Per adattare i cordini di resistenza alla lunghezza del proprio corpo, è consigliabile regolarne la lunghezza.

- Per regolare la lunghezza del cordino di resistenza, basta spingere il cordino attraverso il cursore sul lato dell'impugnatura, e serrarlo nuovamente attraverso l'impugnatura.

## Fissare il sedile al telaio di base

Per fissare il sedile al telaio di base bisogna prima aprire i tappi sulla superficie del sedile per liberare le cavità di fissaggio della maniglia del sedile.

Posizionare il sedile sopra le cavità e spingerlo dentro per fissarlo.

Se si rimuove nuovamente il sedile dal telaio di base, estrarre il sedile evitando di sollevare il telaio di base.

Assicurarsi che le cavità di fissaggio della maniglia del sedile siano chiuse con i tappi quando il sedile non è montato.

### NOTA

- Il fissaggio non sarà molto solido, quindi il sedile fissato non può essere usato come impugnatura per sollevare l'attrezzatura.

Il sedile può essere utilizzato per diverse varianti nel vostro allenamento.

## Console

### Spiegazione dei tasti

#### Alimentazione:

Premere il tasto mentre si inserisce la spina, l'LCD visualizza "00" "10", la macchina passa tra "On mode" (Modalità on) e "Standby mode" (Modalità standby).

#### "P", "P1" "P2" "P3" (Programma automatico)

Premere il tasto del programma automatico per avviare velocemente un profilo pre-programmato.

#### Start/Pausa

- Premere il tasto "START" per avviare la piastra vibrante.
- Nell'uso della macchina, premere questo pulsante per iniziare a lavorare.

#### S ▲ (speed +)

Aumento della velocità: Manuale 1-30. ( ± 1)

- Premere questo pulsante per aumentare la velocità quando la macchina è in uso.

#### S ▼ (speed -)

Diminuzione della velocità: Manuale 1-30. ( ± 1)

- Premere questo pulsante per aumentare la velocità quando la macchina è in uso.

#### T ▲ (time +)

Aumento del tempo:

Il tempo di lavoro predefinito è di 10 minuti, diviso in 10 livelli.

Premere questo tasto per aumentare il tempo (± 1 minuto)

#### T ▼ (time -)

Diminuzione del tempo: il tempo di lavoro predefinito è di 10 minuti, diviso in 10 livelli.

Premere questo tasto per diminuire il tempo.

#### "10" "15" "20" (tasto rapido manuale)

Premere il tasto rapido manuale per avviare un allenamento manuale con un tempo preimpostato rapido.

### NOTA

- La portata della ricezione effettiva del segnale del telecomando è di 2,5 metri, l'indicatore delle emissioni a infrarossi del dispositivo di comando deve essere allineata alla finestra di ricezione a infrarossi della piastra vibrante.

## Telecomando

Il telecomando viene fornito senza batterie, che devono essere acquistate e inserite prima dell'uso.

Il telecomando richiede 2 batterie di tipo AAA.

### Per montare/sostituire le batterie

- Rimuovere il coperchio. (Situato sul lato posteriore).
- Rimuovere le vecchie batterie.  
Valido solo quando si sostituiscono le batterie con quelle nuove.
- Inserire le nuove batterie.  
Assicuratevi che le batterie corrispondano ai segni di polarità (+) e (-).
- Montare il coperchio.

### NOTA

- Le batterie scariche dovrebbero sempre essere smaltite secondo le direttive locali in materia ambientale.

### AVVERTENZA

- Non esporre le batterie a escursioni di temperatura importanti per evitare che le batterie possano perdere del liquido.
- Per evitare che ciò accada, togliete le batterie se pensate di non usare il vostro dispositivo per lunghi periodi di tempo.
- Se si inseriscono più batterie in un dispositivo, utilizzare sempre la stessa marca, lo stesso tipo e lo stesso livello di energia.

## Funzioni dei pulsanti

Le funzioni dei pulsanti del telecomando corrispondono a quelle dei pulsanti del display dell'unità principale, e quindi hanno la stessa funzionalità.

Il telecomando funziona secondo un protocollo a infrarossi.

Per questo motivo, perché possa funzionare correttamente, dev'esserci uno spazio privo di ostacoli fra il trasmettitore del telecomando e il ricevitore della console.

## Spiegazione delle funzioni del display

### Speed [velocità]

- Visualizza l'impostazione della frequenza di vibrazione dell'allenamento corrente.
- Range: 1 ~ 30

### NOTAE

Speed level	Motor RPM	Formula	Hz
Speed 1	500	500/ 60	8.33
Speed 2	510	510/ 60	8.50
Speed 29	790	790/ 60	13.17
Speed 30	800	800/ 60	13.33

Speed level	Livello di velocità
Motor RPM	Giri motore
Formula	formula di calcolo
Hz	Herz

### Time/ Program

- Mostra il tempo residuo.
- Mostra l'obiettivo di tempo quando si è in modalità di programmazione.
- Mostra la selezione del programma in modalità di programmazione.

## Conservazione e Conservazione e manutenzione

### ⚠ AVVISI

- Prima della pulizia, accertarsi che l'interruttore sia spento e che la spina sia stata scollegata dalla presa.
- Il tappetino superiore protettivo in gomma può essere pulito con un panno umido con detergente e il detergente deve essere eliminato completamente con un panno. Nota
- Non pulire la piastra vibrante con detersivi corrosivi come benzene o diluenti, che potrebbero provocare sbiadimento, corrosione o incrinature sul guscio della piastra vibrante.
- Non schizzare la piastra vibrante con l'acqua per evitare cortocircuiti.

### ⚠ ATTENZIONE

- Non trasportare questo apparecchio prendendolo dal cavo di alimentazione, né usare il cavo come maniglia.

## Pulizia della superficie

### Pulire il telecomando

Poiché i panni bagnati potrebbero causare il malfunzionamento del dispositivo di comando, usare solo un panno asciutto. Durante la pulizia del telecomando, si consiglia di estrarre prima la batteria.

### Conservazione e manutenzione

- Accertarsi che l'interruttore sia spento e che la spina sia stata scollegata dalla presa.
- Pulire la polvere e lo sporco sulla piastra vibrante e mantenerla pulita e lontana da luoghi con alta temperatura o umidità.
- Se la piastra vibrante non è in uso per un periodo prolungato, è necessario applicare una copertura antipolvere (da acquistare autonomamente) sulla stessa.

Cambio di un fusibile: ruotare il fusibile alla base nella direzione della freccia (senso antiorario) e sostituire il fusibile riavvitandolo in senso orario.

### 🔧 NOTA

- Consultare il reparto post-vendita qualora il malfunzionamento non possa essere risolto autonomamente dal consumatore

## Informazioni aggiuntive

### Smaltimento dell'imballo

Le linee guide governative chiedono di ridurre la quantità di rifiuti smaltiti nelle discariche. Per questo vi chiediamo di smaltire in modo responsabile tutti i rifiuti d'imballo presso dei centri di riciclaggio pubblici.

### Smaltimento a fine vita

Noi di Tunturi speriamo che possiate godervi molti anni di piacevole uso dal nostro fitness trainer. Tuttavia, arriverà il momento quando il vostro fitness trainer arriverà alla fine della sua vita utile. Secondo la Legislazione Europea WEEE voi siete responsabili per uno smaltimento appropriato del vostro fitness trainer presso una struttura di raccolta pubblica autorizzata.

## Risoluzione dei problemi

### La piastra vibrante non si avvia

- La spina non è collegata, inserire la spina per risolvere.
- L'interruttore è in modalità off, accendere l'interruttore portandolo in posizione ON.
- Il fusibile termico si è bruciato; sostituirlo con un nuovo fusibile dello stesso modello.

### Durante l'uso si sentono suoni come soffi o battiti intermittenti

- Si tratta di normali suoni operativi prodotti dal motore o dallo sfregamento tra le parti meccaniche.

### Il dispositivo di comando viene utilizzato ma la piastra vibrante non funziona.

- La carica della batteria del telecomando è bassa, sostituirla per risolvere.
- Il telecomando è fuori dalla portata dei ricevitori; accertarsi che lo spazio tra l'emittente e il ricevente non sia bloccato e non superi i 2,5 metri.

### Arresto improvviso dell'unità

- Il tempo di lavoro predefinito o preimpostato è terminato, riavviare l'unità dopo un intervallo di 10 minuti.

### L'unità non risponde ai comandi

- Sono stati inviati all'unità troppi comandi in poco tempo e non possono essere elaborati contemporaneamente; riavviare l'unità, scollegare la presa elettrica per almeno 5 secondi e avviare l'unità per risolvere.

### Il display visualizza ER01 o ER02

Problema con l'alimentazione del motore e l'unità si arresta per proteggere dai danni. Riavviare l'unità, scollegare il cavo elettrico per almeno 5 secondi e avviare l'unità per risolvere.



## Garanzia

### Garanzia dell'attrezzo sportivo Tunturi

#### Condizioni di garanzia

Il consumatore beneficia dei diritti legali applicabili previsti dalla legislazione nazionale in materia di commercio di beni di consumo. La garanzia non limita tali diritti. La Garanzia dell'acquirente è valida solo se l'articolo viene utilizzato in un ambiente approvato da Tunturi New Fitness BV per quel determinato attrezzo. Le istruzioni relative all'ambiente e di manutenzione specifiche per il prodotto sono riportate nel "manuale utente" del prodotto. Il "manuale utente" può essere scaricato dal nostro sito web. <http://manuals.tunturi.com>

#### Condizioni per la garanzia

La garanzia entra in vigore dalla data dell'acquisto dell'attrezzo. Le condizioni per la garanzia possono variare in funzione del paese. Rivolgersi al rivenditore di zona per maggiori informazioni sulle condizioni per la garanzia.

#### Copertura della garanzia

L'azienda Tunturi Ltd ed i suoi rappresentanti non rispondono per nessun motivo dei danni indiretti causati all'acquirente dall'attrezzo. Per danni indiretti s'intendono quelli relativi al mancato sfruttamento dell'attrezzo, mancato guadagno o altri danni di natura economica.

#### Limiti di garanzia

La garanzia copre i difetti di materiale e fabbrica dell'attrezzo che si manifestano subito dopo l'acquisto. La garanzia copre solo i difetti che si manifestano durante l'uso normale e conforme alle istruzioni del manuale di installazione, manutenzione ed uso fornito da Tunturi. L'azienda Tunturi Ltd ed i suoi rivenditori non rispondono dei danni causati da eventi al di fuori del loro controllo. La garanzia riguarda solo il proprietario originario dell'attrezzo ed è in vigore solo in quei paesi in cui Tunturi Ltd dispone di un proprio rappresentante autorizzato.

La garanzia non copre i difetti di quegli attrezzi o componenti che sono stati modificati senza l'espressa autorizzazione del fabbricante Tunturi Ltd. La garanzia non copre i difetti causati dalla normale usura, da un uso in condizioni non previste, dalla corrosione, dalla movimentazione e dal trasporto.

La garanzia non copre rumori o suoni emessi durante l'uso a meno che non impediscano l'uso dell'attrezzo e che non siano causati da un guasto all'attrezzo stesso.

La garanzia non comprende nemmeno i normali interventi di servizio dell'attrezzo, come per esempio la pulizia, lubrificazione, controllo periodico dei componenti né le piccole installazioni che può effettuare il cliente stesso e che non richiedono lo smontaggio/montaggio dell'attrezzo. Questi interventi sono, per esempio, la sostituzione del pannello, dei pedali o di altri componenti analoghi. La garanzia non copre gli interventi di riparazione previsti, se non vengono eseguiti da un rappresentante autorizzato Tunturi. Se sbagliate a seguire le istruzioni del manuale d'uso, decade subito la garanzia sul prodotto.

## Dati tecnici

Parametro	Unità di misura	Valore
Misurazione della frequenza cardiaca disponibile tramite:	Contatto impugnatura 5,3~ 5,4 Khz. Bluetooth (BLE) ANT+	<input checked="" type="checkbox"/> <input checked="" type="checkbox"/> <input checked="" type="checkbox"/> <input checked="" type="checkbox"/>
Amplitude	mm	10 (±1)
Force	G	
Lunghezza	cm inch	58.0 22.8
Larghezza	cm inch	33.0 13.0
Altezza	cm inch	34.0 13.4
Peso	kg lbs	11.3 24.9
Peso massimo utente	kg lbs	150 330
Tensione di alimentazione	Vca	210~240
Frequenza di alimentazione	HZ	50~60

## Dichiarazione del fabbricante

Tunturi New Fitness BV dichiara che questo prodotto è conforme ai seguenti standard e direttive: EN 957 (HC), 2014/30/EU. Pertanto sul prodotto è apposto il marchio CE.

04-2020

Tunturi New Fitness BV  
Purmerweg 1  
1311 XE Almere  
Paesi Bassi

## Clausola di esonero della responsabilità

© 2020 Tunturi New Fitness BV  
Tutti i diritti riservati.

- Il prodotto e il manuale sono soggetti a modifiche.
- Le specifiche tecniche possono essere modificate senza preavviso.
- Vedere il nostro sito Web per la versione del manuale più recente.

## Español

Este manual español es una traducción del texto inglés. No se pueden derivar derechos de esta traducción. El texto original en inglés prevalecerá.

## Índice

<b>¡Bienvenido .....</b>	<b>31</b>
<b>Precauciones de seguridad del entorno de uso .....</b>	<b>31</b>
<b>Explicación de las ilustraciones.....</b>	<b>32</b>
Descripción de la ilustración A.....	32
Descripción de la ilustración B.....	32
Descripción de la ilustración C.....	32
Descripción de la ilustración D.....	32
<b>Hacer ejercicio .....</b>	<b>32</b>
Postura .....	32
Cuerdas de resistencia adicionales .....	32
Fijación del asiento al bastidor de la base.....	33
<b>Consola.....</b>	<b>33</b>
Explicación de los botones .....	33
Mando a distancia.....	33
Explicación de las funciones de la pantalla.....	33
<b>Almacenamiento y mantenimiento .....</b>	<b>34</b>
Limpieza de la superficie.....	34
Información adicional.....	34
<b>Resolución de problemas.....</b>	<b>34</b>
<b>Garantía.....</b>	<b>35</b>
<b>Datos técnicos .....</b>	<b>35</b>
<b>Declaración del fabricante .....</b>	<b>35</b>
<b>Descargo de responsabilidad .....</b>	<b>35</b>

## ¡Bienvenido

¡Bienvenido al mundo de Tunturi Fitness!

Le agradecemos la compra de esta máquina Tunturi. Tunturi ofrece una amplia gama de máquinas de fitness profesionales como bicicletas elípticas, cintas de correr, bicicletas de ejercicio, bancos de fuerza y estaciones múltiples. La máquina Tunturi es adecuada para toda la familia, independientemente del nivel de forma física. Si desea información adicional, visite nuestro sitio web [www.tunturi.com](http://www.tunturi.com)

## Información y precauciones

Este manual es una parte esencial del equipo de entrenamiento. Lea todas las instrucciones de este manual antes de comenzar a utilizar el equipo. Se deberán observar siempre las siguientes precauciones:

### Precauciones de seguridad del entorno de uso

- No utilice la plataforma vibratoria en un entorno húmedo o lleno de polvo para evitar descargas eléctricas y averías en las piezas mecánicas.
- No utilice la plataforma vibratoria cuando la temperatura interior supere los 40 °C.
- No utilice la plataforma vibratoria al aire libre o bajo la luz directa del sol.
- Coloque la plataforma vibratoria en un suelo plano.

### ⚠ PELIGRO

- Espere una hora antes de utilizar la plataforma vibratoria cuando esta se traslade de una temperatura baja a una alta, para evitar que el vapor de agua se condense en la máquina y provoque cualquier fallo.

### Sugerimos que las personas que tengan los siguientes estados de salud no usen la plataforma vibratoria.

- Recomendamos vivamente que consulte al médico antes de usarla, sobre todo aquellos pacientes que estén en tratamiento o no se encuentren bien.
- Pacientes con un tumor maligno.
- Mujeres embarazadas o con la regla.
- Personas con enfermedades cardíacas o con osteoporosis.
- Personas a las que se les han implantado marcapasos u otros instrumentos médicos electrónicos.
- Personas con un hígado artificial.
- Personas sensibles a la vibración y el ejercicio intenso.

### © Observaciones durante el funcionamiento

- Antes de usarlo, quítese el reloj, pulseras, teléfono móvil u otros objetos de valor, además de llaves, navajas u otros objetos afilados para evitar daños o lesiones físicas.
- No fume mientras está usando la plataforma vibratoria.
- No utilice la plataforma vibratoria junto con otros equipos médicos.
- No utilice la plataforma vibratoria para fines de tratamientos médicos.
- No utilice la plataforma vibratoria justo después de comer o beber.
- Durante su uso, mantenga a los niños o mascotas alejados de la plataforma vibratoria.
- Está prohibido meter los dedos u otros cuerpos extraños en el hueco entre la cubierta media y la cubierta inferior.
- Durante el uso de la plataforma vibratoria, se deberá supervisar a los niños de menos de 10 años y personas mayores de 60.
- La capacidad de carga de la plataforma vibratoria es de 150kg (330lbs), no recomendamos que las personas con más peso la utilicen.
- Esta plataforma vibratoria solo la podrá usar una persona cada vez.

### ⚠ ADVERTENCIA

- No está permitido el desmantelamiento, desarmado y renovación no autorizados para evitar descargas eléctricas o cualquier avería. Póngase en contacto con el fabricante o el distribuidor local de inmediato si se requiere cualquier trabajo de asistencia.

### **Deje de usar de inmediato la plataforma vibratoria y desconecte el cable de corriente de la toma en las siguientes circunstancias.**

- Se ha caído accidentalmente agua u otro líquido en la plataforma vibratoria o el controlador.
- Se ha encontrado que un accesorio está dañado o un componente interno está al aire.
- Se siente un dolor anormal o agudo durante su uso.
- Hay un corte de luz.
- Hay truenos o relámpagos.

### **Enchufe y cable de alimentación**

- Compruebe si la tensión coincide con la especificada en la plataforma vibratoria.
- No quite el cable de alimentación con la mano mojada para evitar descargas eléctricas.
- Sujete el enchufe en vez de tirar del cable para desenchufar este.
- Apague el interruptor de encendido y desenchufe el cable de alimentación de la toma de corriente en caso de un corte de luz o si no se va a usar el aparato durante mucho tiempo.
- Deje de usar la plataforma vibratoria si el cable de alimentación tiene cualquier daño, apague el interruptor de encendido, desenchufe el cable y sustitúyalo o póngase en contacto con un técnico para que lo repare.
- No pase el cable de red debajo de la máquina. No pase el cable de red debajo de una alfombra. No coloque ningún objeto sobre el cable de red.

## **Explicación de las ilustraciones**

### **Descripción de la ilustración A**

La ilustración muestra los componentes y las piezas que debe encontrar al desembalar el producto.

#### **¡ATENCIÓN!**

- Las piezas de pequeño tamaño pueden estar ocultas o embaladas en espacios huecos del sistema de protección de poliestireno extruido del producto
- Si falta alguno de los componentes, póngase en contacto con su distribuidor.

### **Descripción de la ilustración B**

La ilustración muestra cómo colocar las asas en el marco del cojín del asiento.

#### **¡ATENCIÓN!**

- El destornillador necesario para este montaje no está incluido en la caja.

### **Descripción de la ilustración C**

La ilustración muestra la disposición de botones del panel de control y el mando a distancia.

### **Descripción de la ilustración D**

Las ilustraciones muestran los perfiles de programa preprogramados.

## **Hacer ejercicio**

Se recomienda hacer ejercicio 2 o 3 veces por semana. Las sesiones de estiramientos y relajación se pueden realizar más a menudo. Al igual que con otros ejercicios (cardiovasculares), se recomienda que los realice a su propio ritmo. Comience a ejercitarse a una intensidad baja y vaya incrementando la intensidad en función de su experiencia personal.

### **Postura**

- Por lo general, debería sentirse cómodo realizando los ejercicios.
- Asegúrese siempre de que la espalda esté recta e intente evitar "quedarse suelto" en la máquina.
- Todos los ejercicios y estiramientos se deben realizar "activamente", mientras que en el masaje o la relajación se puede liberar la tensión de los músculos.
- Mantenga los músculos abdominales en tensión para hacer que los ejercicios sean más eficaces.
- Debería flexionar las rodillas durante todos los ejercicios y no "bloquee" ninguna articulación ni enderece las piernas. La vibración debería pasar a través de los músculos, no de las articulaciones.

#### **⚠ ADVERTENCIA**

- Si siente una vibración muy fuerte que llega hasta la cabeza, quiere decir que su postura es incorrecta.

### **Cuerdas de resistencia adicionales**

El entrenador se suministra con cuerdas de resistencia adicionales que pueden utilizarse para intensificar o variar el entrenamiento a su gusto.

#### **⚠ ADVERTENCIA**

- Las cuerdas de resistencia adicionales solo pueden utilizarse estando de pie sobre el equipo. De este modo se impide que la máquina se levante completamente y, con ello, se evita el riesgo de dañar la máquina por el impacto al bajar de nuevo.

### **Fijación de las cuerdas de resistencia adicionales**

- Tome el lazo de la cuerda de resistencia adicional y páselo a través de una de las anillas o los soportes de la parte delantera inferior del entrenador.
- Guíe el mango de la cuerda de resistencia adicional a través del lazo de la cuerda y tire con fuerza, de modo que consiga una fijación fácil de desmontar pero segura.
- Solo se puede fijar una cuerda de resistencia adicional a cada una de las dos anillas disponibles.
- Retire la cuerda elástica siguiendo el orden inverso.

### **Ajuste de la longitud de las cuerdas de resistencia**

Para ajustar las cuerdas de resistencia a la longitud de su cuerpo, se recomienda ajustar la longitud según corresponda.

- Para ajustar la longitud de la cuerda de resistencia, pase la cuerda a través de la corredera en el lado de la empuñadura y tire de ella de nuevo a través del mango.

## Fijación del asiento al bastidor de la base

Para fijar el asiento al bastidor de la base es necesario abrir primero las tapas de la superficie del asiento para liberar los huecos de fijación del asa del asiento.

Coloque el asiento sobre los huecos y presiónelo para asegurar la fijación.

Cuando vuelva a retirar el asiento del bastidor de la base, extraiga el asiento evitando que se levante el bastidor de la base.

Cuando el asiento no esté montado, asegúrese de que los huecos de fijación del asa del asiento están cerrados con las tapas de superficie.

### ¡ATENCIÓN!

- La fijación no estará completamente ajustada, por lo que el asiento acoplado no puede utilizarse como asa del producto para levantar la máquina.

El asiento puede utilizarse para diferentes variaciones de entrenamiento.

## Consola

### Explicación de los botones

#### Encendido:

Pulse el botón cuando esté enchufado, la pantalla de LCD muestra "00" "10" y la máquina estará alternando entre "On mode" (modo activo) y "Standby mode" (modo de espera).

#### "P", "P1" "P2" "P3" (Auto program)

Pulse el botón "auto program" para empezar de prisa un perfil preprogramado.

#### (Start/ Pause)

- Pulse el botón para poner en marcha la plataforma vibratoria.
- Cuando la máquina está funcionando, pulse este botón para que se detenga.

#### **S ▲** (speed +)

Aumento de velocidad: Manual 1- 30. ( $\pm 1$ )

- Pulse este botón para aumentar la velocidad cuando la máquina esté funcionando.

#### **S ▼** (speed -)

Reducción de velocidad: Manual 1- 30. ( $\pm 1$ )

- Pulse este botón para reducir la velocidad cuando la máquina esté funcionando.

#### **T ▲** (time +)

Aumento de tiempo:

El tiempo de funcionamiento predeterminado es 10 minutos, dividido en 10 niveles.

Pulse este botón para aumentar el tiempo ( $\pm 1$  minuto).

#### **T ▼** (time -)

Reducción de tiempo: el tiempo de funcionamiento predeterminado es 10 minutos, dividido en 10 niveles.

Pulse este botón para reducir el tiempo.

### "10" "15" "20" (Manual quick button)

Pulse el botón rápido manual para empezar una sesión manual con el tiempo predeterminado rápido.

#### ADVERTENCIA

- El ámbito de recepción efectivo de la señal del mando a distancia es de 2,5 metros, el indicador de emisión de infrarrojos del controlador se deberá alinear con la ventana receptora de infrarrojos de la plataforma vibratoria.

### Mando a distancia

El mando a distancia se suministra sin pilas y es necesario comprarlas e instalarlas antes de utilizarlo.

El mando a distancia necesita 2 pilas de tamaño AAA.

#### Para colocar/sustituir las pilas

- Retire la tapa. (Situada en la parte trasera).
- Retire las pilas antiguas.  
Solo es válido cuando se sustituyen las pilas por otras nuevas.
- Introduzca las pilas nuevas.  
Asegúrese de que las pilas coinciden con las marcas de polaridad (+) y (-).
- Coloque la tapa.

### ¡ATENCIÓN!

- Las pilas descargadas deben reciclarse siempre según la normativa legal local para preservar el medio ambiente.

#### ADVERTENCIA

- No exponga las pilas a grandes cambios de temperatura para evitar que se produzcan fugas.
- Para evitar fugas de las pilas, si no va a utilizar el dispositivo durante largos períodos de tiempo, sáquelas.
- Cuando introduzca varias pilas en un dispositivo, utilice siempre la misma marca, el mismo tipo y el mismo nivel de energía.

### Funciones de los botones

Las funciones de los botones del mando a distancia se corresponden con las de los botones de la pantalla de la unidad principal, por lo que tienen la misma funcionalidad.

El mando a distancia funciona con un protocolo de infrarrojos.

Por lo tanto, requiere un espacio de aire libre entre el transmisor del mando a distancia y el receptor de la consola para que funcione correctamente.

### Explicación de las funciones de la pantalla

#### Velocidad

- Muestra el ajuste de la frecuencia de vibración del entrenamiento actual.
- Rango: 1 ~ 30

### ⚠ ADVERTENCIA

Speed level	Motor RPM	Formula	Hz
Speed 1	500	500/ 60	8.33
Speed 2	510	510/ 60	8.50
Speed 29	790	790/ 60	13.17
Speed 30	800	800/ 60	13.33

Speed level	nivel de velocidad
Motor RPM	rpm del motor
Formula	fórmula de cálculo
Hz	Hercios

### Time/ Program

- Muestra el tiempo que queda cuando el entrenamiento está en modo cuenta atrás.
- Muestra el tiempo objetivo cuando se encuentra en modo de programación.
- Muestra la selección de programa cuando se encuentra en modo de programa.

## Almacenamiento y mantenimiento

### ⚠ ADVERTENCIA

- Antes de limpiar, asegúrese de que el interruptor de alimentación está apagado y que el enchufe de alimentación está desenchufado.
- La cubierta superior protectora de goma y las fundas se pueden limpiar con un paño mojado que tenga detergente y este se deberá eliminar con un paño.
- No limpie la plataforma vibratoria con un detergente corrosivo como benceno o disolvente, ya que podría provocar decoloración, corrosión o grietas en la carcasa de la plataforma vibratoria.
- No eche agua en la plataforma vibratoria para evitar cortocircuitos.

### ⚠ PRECAUCIÓN

- No arrastre este dispositivo por el cable de alimentación ni use el cable como mango.

## Limpieza de la superficie

### Limpie el controlador a distancia

Como un paño mojado puede provocar averías en el controlador, solo se podrá usar un paño seco.

Cuando limpie el controlador a distancia, se recomienda que quite primero la batería.

### Almacenamiento y mantenimiento

- Asegúrese de que el interruptor de alimentación está apagado y que el enchufe está desenchufado.
- Quite el polvo y la suciedad de la plataforma vibratoria y manténgala limpia y alejada de lugares con temperatura y humedad elevadas.
- Si la plataforma vibratoria no se usa durante un periodo largo, se deberá cubrir con una funda antipolvo (cómprala) para que no entre polvo.

Cambio de fusible: gire la base del fusible en la dirección de la flecha (a la izquierda) y sustituya el fusible volviendo a girar a la derecha.

### ¡ATENCIÓN!

- Consulte al departamento de posventa en caso de que usted no pueda eliminar la avería.

## Información adicional

### Eliminación de embalajes

Las pautas gubernamentales exigen reducir la cantidad de residuos que se depositan en los basureros. Por este motivo, le rogamos que deseche los embalajes de manera responsable en centros públicos de reciclaje.

### Eliminación al final de la vida útil

Desde Tunturi esperamos que disfrute de su equipo de entrenamiento durante muchos años. No obstante, llegará un momento en que éste llegue al final de su vida útil. Conforme a la Directiva WEEE (relativa a la gestión de residuos procedentes de equipos eléctricos y electrónicos) le corresponde a usted la responsabilidad de desechar adecuadamente su equipo de entrenamiento en un centro público autorizado de recogida.

## Resolución de problemas

### La plataforma vibratoria no se puede poner en marcha

- El enchufe no está en la toma, enchúfelo.
- El interruptor de encendido está en modo apagado (OFF), gírelo a la posición de encendido (ON).
- El fusible térmico se ha quemado, sustitúyalo por uno nuevo del mismo modelo.

### Durante la sesión, se escuchan sonidos como "fuu" o "da-da"

- Estos son sonidos normales de funcionamiento producidos por el motor o por la abrasión entre piezas mecánicas.

### Se opera el controlador, pero la plataforma vibratoria no responde

- La batería del mando a distancia está casi agotada, sustitúyala.
- El mando a distancia está fuera del alcance del receptor, asegúrese de que el espacio entre el emisor y el receptor no esté bloqueado y no sea superior a 2,5 metros.

### Parada repentina de la unidad

- El tiempo de funcionamiento predeterminado o por defecto se ha acabado, vuelva a poner en marcha la unidad después de un intervalo de 10 minutos.

### La unidad no responde a los comandos

- Se han enviado demasiado comandos a la unidad en un espacio corto de tiempo y no se pueden procesar simultáneamente; reinicie la unidad, desenchufe el cable de corriente durante al menos 5 segundos y ponga en marcha la unidad.

### La pantalla muestra ER01 o ER02

Problema de potencia del motor; la unidad se detiene para que no se produzcan daños. Reinicie la unidad, desenchufe el cable de corriente durante al menos 5 segundos y ponga en marcha la unidad.

## Garantía

### Garantía del propietario del equipo Tunturi

#### Condiciones de la garantía

El cliente tiene derecho a los beneficios jurídicos aplicables recogidos en la legislación nacional relativa al comercio de bienes de consumo. Esta garantía no restringe dichos beneficios. La garantía del cliente solo será válida si se utiliza el producto en un entorno autorizado por Tunturi New Fitness BV y se mantiene tal como se indica para el equipo concreto. Las instrucciones de mantenimiento y medioambientales aprobadas específicas del producto se indican en el "manual del usuario" del producto. El "manual de usuario" se puede descargar en nuestro sitio web. <http://manuals.tunturi.com>

#### Términos de la garantía

Los términos de la garantía comenzarán el día de la compra. Los términos de garantía pueden variar por país, así que consulte con su distribuidor local para ver cuáles son los términos de la garantía.

#### Cobertura de la garantía

Tunturi New Fitness BV o los distribuidores Tunturi no responderán en ninguna circunstancia a causa de esta garantía por los eventuales daños indirectos, secundarios, resultantes o especiales de ningún tipo derivados del uso o la imposibilidad de uso de este equipo.

#### Restricciones a la garantía

La garantía cubre los fallos debidos a la fabricación y los materiales en un equipo de ejercicio que esté en su ensambladura original. La garantía cubre solamente defectos que se manifiesten durante un uso normal, conforme a las instrucciones dadas en la guía suministrada con el equipo, a condición de que se hayan observado las instrucciones de montaje, mantenimiento y utilización proporcionadas por Tunturi. Tunturi New Fitness BV y los distribuidores Tunturi no pueden responder de fallos ocasionados por circunstancias ajenas a su control. La presente garantía sólo es válida para el comprador original del equipo de ejercicio y tiene vigencia solamente en los países en los que Tunturi New Fitness BV cuenta con un importador autorizado. La garantía no cubre los equipos de ejercicio o sus partes que hayan sido modificados sin el consentimiento previo de Tunturi New Fitness BV. La garantía no cubre fallos derivados del desgaste normal, de un uso indebido, de su uso en condiciones para las que el equipo no ha sido concebido, corrosión o daños sufridos durante la carga o el transporte.

La garantía no cubre los sonidos o ruidos emitidos durante el uso que no impidan de forma sustancial la utilización del equipo y que no estén provocados por un fallo del mismo

La garantía no cubre las actividades de mantenimiento tales como limpieza, lubricación o el ajuste normal de las piezas, ni los procedimientos de instalación que el cliente pueda realizar por sí mismo y que no requieran un desmontaje / montaje especial del equipo de ejercicio. Estos procedimientos son, por ejemplo, el cambio de contadores, pedales o de otras piezas simples similares. No se reembolsarán las reparaciones realizadas durante el periodo de garantía por agentes no autorizados por Tunturi. Si no se siguen adecuadamente las instrucciones dadas en el Manual del Propietario se invalidará la garantía del producto.

## Datos técnicos

Parámetro	Unidad de medición	Valor
Medición de la frecuencia auditiva disponible a través de:	Contacto de la empuñadura 5,3 ~ 5,4 KHz. Bluetooth (BLE) ANT +	<input checked="" type="checkbox"/> <input checked="" type="checkbox"/> <input checked="" type="checkbox"/> <input checked="" type="checkbox"/>
Amplitud	mm	10 (±1)
Force	G	
Longitud	cm inch	58.0 22.8
Anchura	cm inch	33.0 13.0
Altura	cm inch	34.0 13.4
Peso	kg lbs	11.3 24.9
Peso máx. del usuario	kg lbs	150 330
Tensión de red	VAC	210~240
Frecuencia de red	HZ	50~60

## Declaración del fabricante

Tunturi New Fitness BV declara que el producto es conforme con las siguientes normas y directivas: EN 957 (HC), 2014/30/EU. Por tanto, el producto dispone de marcado CE.

04-2020

Tunturi New Fitness BV  
Purmerweg 1  
1311 XE Almere  
The Netherlands

## Descargo de responsabilidad

© 2020 Tunturi New Fitness BV  
Reservados todos los derechos.

- Tanto el producto como el manual están sujetos a modificaciones.
- Las modificaciones se pueden cambiar sin aviso.
- Consulte nuestra página web para descargar la versión del manual de usuario más reciente.



## På svenska

Denna handbok är en översättning av den engelska texten. Vi förbehåller oss rätten till eventuella översättningsfel. Den engelska originaltexten råder.

## Index

<b>Välkommen.....</b>	<b>36</b>
<b>Säkerhetsföreskrifter – användningsmiljö.....</b>	<b>36</b>
<b>Beskrivning av illustrationer.....</b>	<b>37</b>
Beskrivning av illustration A.....	37
Beskrivning av illustration B.....	37
Beskrivning av illustration C.....	37
Beskrivning av illustration D.....	37
<b>Träning.....</b>	<b>37</b>
Kroppshållning.....	37
Extra motståndssnören.....	37
Fästa sätet till ramen.....	37
<b>Panel.....</b>	<b>38</b>
Förklaring av knappar.....	38
Fjärrkontroll.....	38
Beskrivning av skärmfunktioner.....	38
<b>Förvaring och underhåll.....</b>	<b>39</b>
rengöring av yta.....	39
Ytterligare information.....	39
<b>Felsökning.....</b>	<b>39</b>
<b>Garanti.....</b>	<b>39</b>
<b>Teknisk information.....</b>	<b>40</b>
<b>Försäkran från tillverkaren.....</b>	<b>40</b>
<b>Friskrivning.....</b>	<b>40</b>

## Välkommen

Välkommen till Tunturi Fitness värld!

Tack för att du köpte denna utrustning från Tunturi. Tunturi erbjuder ett stort utbud av professionell träningsutrustning, exempelvis crosstrainers, löpband, träningscyklar, roddmaskiner, styrka bänkar och flera stationer. Utrustning från Tunturi passar hela familjen, oavsett träningsnivå. Mer information finns på vår webbplats, [www.tunturi.com](http://www.tunturi.com)

## Viktiga instruktioner om säkerhet

Denna handbok är en viktig del av din träningsutrustning. Läs alla instruktioner i den här handboken innan du börjar använda denna utrustning. Följande försiktighetsåtgärder måste alltid följas:

## Säkerhetsföreskrifter – användningsmiljö

- Använd inte vibrationsplattan i en fuktig eller dammig miljö för att undvika elstötar eller skada på de mekaniska delarna.
- Använd inte vibrationsplattan när inomhustemperaturen överstiger 40 °C.
- Använd inte vibrationsplattan i fri luft eller under direkt solljus.
- Placera vibrationsplattan på plant golv.

### ⚠ FARA

- Vänta i en timme innan du använder vibrationsplattan när den flyttas från en miljö med låg till hög temperatur för att förhindra att vattenånga kondenserar på maskinen och orsakar ett tekniskt fel.

## Vi rekommenderar mot att personer med de hälsotillstånd som beskrivs nedan använder vibrationsplattan.

- Vi rekommenderar starkt att du rådfrågar din läkare före användning, och i synnerhet om du just nu genomgår behandling eller inte mår bra.
- Personer med ondartad tumör.
- Gravida kvinnor eller kvinnor i menstruationsperioden.
- Personer med hjärtsjukdomar, osteoporospatienter.
- Personer med pacemaker eller andra medicintekniska elektroniska instrument implanterade.
- Personer med proteser;
- Personer som är känsliga för vibrationer och ansträngande träning.

### © Meddelanden under användning

- Före användning ska du ta av dig klocka, armband, mobiltelefon eller andra värdefulla föremål och nycklar, kniv eller andra skarpa föremål för att undvika att dessa föremål eller du själv skadas.
- Rök inte när du använder vibrationsplattan.
- Använd inte vibrationsplattan tillsammans med annan medicinteknisk utrustning.
- Använd inte vibrationsplattan för medicinska behandlingsändamål.
- Använd inte vibrationsplattan direkt efter du ätit eller druckit.
- Håll barn och/eller husdjur borta från vibrationsplattan under användning.
- Det är förbjudet att sätta fingrar eller andra främmande kroppar i mellanrummet mellan mittkåpan och basskyddet.
- Barn under 10 år och personer över 60 år måste hållas under tillsyn vid användning av vibrationsplattan.
- Vibrationsplattan belastningskapacitet är 150kg (330lbs), så vi rekommenderar mot att personer över denna vikt använder vibrationsplattan.
- Denna vibrationsplatta får endast användas av en person åt gången.

**⚠ VARNING**

- Obehörig demontering, nedmontering eller renovering får inte förhindra elstötar eller tekniska fel. Kontakta tillverkaren eller den lokala återförsäljaren omedelbart vid behov av servicearbete.

**Upphör med att använda vibrationsplattan och dra ut nätkabeln från strömförsörjningen omedelbart under nedanstående förhållanden.**

- Om vatten eller annan vätska oavsiktligt stänker på vibrationsplattan eller styrenheten.
- Om något tillbehör skadas eller om den interna komponenten exponeras.
- Om det känns obehagligt eller gör ont under användning.
- Strömavbrott.
- Vid åska.

**Nätsladden**

- Kontrollera om spänningen överensstämmer med den som anges för vibrationsplattan.
- Dra inte ur kontakten med en våt hand för att förhindra elstöt.
- Håll i kontakten istället för nätsladden för att dra ut nätsladden.
- Stäng av strömbrytaren och ta ut kontakten från strömförsörjningen i händelse av elfel eller om den inte används under lång tid.
- Sluta använda vibrationsplattan om nätsladden har skadats, stäng av strömbrytaren, dra ur kontakten och byt ut nätsladden eller kontakta tekniker för reparation.
- Dra inte strömkabeln under utrustningen. Dra inte strömkabeln under en matta. Placera inte några föremål på strömkabeln.

**Beskrivning av illustrationer****Beskrivning av illustration A**

På illustrationen kan du se vilka komponenter och delar som du bör hitta när du packar upp produkten.

**⚠ OBS**

- Små delar kan ligga gömda/vara nedpackade i ihåliga utrymmen i produktskyddet av polystyren.
- Om en del saknas så kontaktar du din återförsäljare.

**Beskrivning av illustration B**

Illustrationen visar hur du monterar handtagen vid stolsdynans ram.

**⚠ OBS**

- Skruvmejseln som krävs för denna montering finns inte med i kartongen.

**Beskrivning av illustration C**

Illustrationen visar kontrollpanelens knappöverlagring och fjärrkontrollen.

**Beskrivning av illustration D**

Illustrationerna visar de förprogrammerade programprofilerna.

**Träning**

Vi rekommenderar att du tränar två eller tre gånger i veckan. Stretch- och avslappningsövningarna kan du göra oftare. Precis som vid all annan kardiovaskulär träning bör du träna helt i din egen takt. Börja träningen lågintensivt och öka intensiteten successivt; hur mycket åt gången beror på din träningsvana.

**Kroppshållning**

- Du ska känna att träningen är bekväm att utföra.
- Var noga med att hålla ryggen rak och försök att undvika att "hänga" på träningsredskapet.
- Träningen och stretchingen bör du göra "aktivt", men vid massage och avslappning kan du släppa all aktiv muskelspänning.
- Håll magmusklerna spända så blir träningen mer effektiv.
- Se till att alltid hålla dina knän böjda under träningens gång. "Lås" inga leder och sträck inte ut benen helt när du tränar. Vibrationerna ska gå genom musklerna, inte genom lederna.

**⚠ VARNING**

- Känner du en mycket hög vibration upp mot huvudet har du fel hållning.

**Extra motståndssnören**

Din träningsmaskin levereras med ytterligare motståndssnören som kan användas för att intensifiera eller variera träningen efter eget tycke och smak.

**⚠ VARNING**

- De extra motståndssnörerna får endast användas när man står på utrustningen, detta för att undvika att maskinens lyfts och skadas av stöten när den kommer ner igen.

**Fästa de extra motståndssnörerna**

- Ta öglan på det extra motståndssnöret och för det genom en av ringarna/fästena på träningsmaskinens nedre framsida.
- För det extra motståndssnörets handtag genom öglan på snöret och dra åt så att du får en lätt avtagbar men säker fixering.
- Endast ett extra motståndssnöre får fästas på var och en av de två tillgängliga ringarna.
- Ta bort i omvänd ordning.

**Justera längden på motståndssnörerna**

För att anpassa motståndssnörerna till din kroppslängd rekommenderas det att justera längden.

- För att justera längden på motståndssnörerna trycker du snöret genom reglaget på handtagets sida och drar åt den igen genom handtaget.

**Fästa sätet till ramen**

För att fästa sätet till ramen måste du först öppna sätets lock för att frigöra säteshandtagets fästen.

Placera sätet över fästena och tryck in det för att säkra fästet.

När du tar bort sätet från ramen igen drar du ut sätet samtidigt som du hindrar ramen från att lyftas.

Se till att säteshandtagets fästen är stängda med locken när sätet inte är monterat.

### OBS

- Det monterade sätet kommer inte att sitta fast hårt och får därför inte användas som ett handtag för att lyfta maskinen.

Sätet kan användas för olika variationer i ditt träningspass.

## Panel

### Förklaring av knappar

#### ström:

Tryck på knappen medan strömkontakten är isatt, LCD-skärmen visar "00" "10", maskinen växlar mellan "On-läge" (På) och "Standby-läge" (Vänteläge).

#### **"P", "P1" "P2" "P3" (Auto-program)**

Tryck på Auto-programknappen för att snabbt starta en förprogrammerad profil.

#### (Starta/Pausa)

- Tryck på knappen för att starta vibrationsplattan.
- Tryck på den här knappen för att stoppa maskinen.

#### **S ▲ (speed +)**

Hastighetsökning: Manuell 1–30. ( $\pm 1$ )

- Tryck på den här knappen för att öka hastigheten när maskinen används.

#### **S ▼ (speed -)**

Hastighetsminskning: Manuell 1–30. ( $\pm 1$ )

- Tryck på den här knappen för att minska hastigheten när maskinen används.

#### **T ▲ (time +)**

Tidsökning:

Förinställd arbetstid är 10 minuter, uppdelat i 10 nivåer.

Tryck på den här knappen för att öka tiden. ( $\pm 1$  minut)

#### **T ▼ (time -)**

Tidsminskning: Förinställd arbetstid är 10 minuter, uppdelat i 10 nivåer.

Tryck på den här knappen för att minska tiden.

#### **"10" "15" "20" (manuell snabbknapp)**

Tryck på den manuella snabbknappen för att snabbt starta en manuell träning med förinställd tid.

### OBS

- Det effektiva mottagningsområdet för fjärrkontrollsignalen är 2,5 meter, och styrenhetens infraröda strålningsindikator ska vara i linje med det infraröda mottagningsfönstret på vibrationsplattan.

## Fjärrkontroll

Fjärrkontrollen levereras utan batterier och måste beställas och installeras innan den används.

Fjärrkontrollen kräver 2 st. AAA-batterier.

### Montera/byta batterierna

- Ta bort locket. (Sitter på baksidan).
- Ta bort de gamla batterierna.  
Gäller endast vid byte av batterier mot nya.
- Sätt i de nya batterierna.  
Se till att batterierna matchar polaritetsmarkeringarna (+) och (-).
- Montera tillbaka locket.

### OBS

- Använda batterier ska alltid återvinnas enligt lokala lagar för att bevara miljön.

### VARNING

- För att förhindra batteriläckage, utsätt inte batterierna för stora temperaturförändringar.
- För att förhindra batteriläckage, ta ut dem om du planerar att inte använda din enhet under längre perioder.
- När du sätter i flera batterier i en enhet, använd alltid samma märke, samma typ och samma energinivå.

### Knappfunktioner

Fjärrkontrollens knappfunktioner motsvarar huvudenhetens displayknappar och har därför samma funktionalitet.

Fjärrkontrollen fungerar enligt ett infrarött protokoll.

Därför krävs ett fritt utrymme mellan fjärrkontrollens sändare och konsolmottagare för korrekt funktionalitet.

## Beskrivning av skärmfunktioner

### Hastighet

- Visar aktuell frekvensinställning för träningsvibration.
- Område: 1 ~ 30

### OBS

Speed level	Motor RPM	Formula	Hz
Speed 1	500	500/ 60	8.33
Speed 2	510	510/ 60	8.50
Speed 29	790	790/ 60	13.17
Speed 30	800	800/ 60	13.33

Speed level	Hastighetsnivå
Motor RPM	Motorvarvtal
Formula	beräkningsformel
Hz	Hertz

### Time/ Program

- Visar kvarvarande tid vid träning i nedräkningsläge.
- Visar måltiden när i programmeringsläge.
- Visar programval i programläget.

## Förvaring och underhåll

### ⚠ VARNING

- Innan rengöring ska du se till att strömbrytaren är avstängd och att kontakten har dragits ut ur uttaget.
- Den beskyddande toppmattan i gummi och skydden kan rengöras med en våt trasa som innehåller tvättmedel, och tvättmedlet ska avlägsnas med en trasa
- Rengör inte vibrationsplattan med frätande rengöringsmedel som bensen eller förtunningsmedel, eftersom det kan orsaka blekning, korrosion eller spricka på vibrationsplattans skal.
- Stänk inte vatten i vibrationsplattan för att undvika kortslutning.

### ⚠ VARNING

- Undvik att bära apparaten i nätsladden eller använda sladden som ett handtag.

## rengöring av yta

### Rengör fjärrkontrollen

Använd endast torra trasor eftersom det är risk för att våta trasor orsakar funktionsfel hos styrenheten.

Vi rekommenderar att batteriet tas ut först vid rengöring av fjärrkontrollen.

### Förvaring och underhåll

- Innan rengöring ska du se till att strömbrytaren är avstängd och att kontakten har dragits ut ur uttaget.
- Avlägsna damm och smuts på vibrationsplattan och håll den ren och borta från platser med hög temperatur eller hög luftfuktighet.
- Om vibrationsplattan inte används under en längre period ska ett dammsäkert lock (köpes separat) appliceras på vibrationsplattan för att förhindra att damm tränger in.

Byte av säkring: vrid säkringshållaren i pilens riktning (moturs) och byt ut säkringen genom att skruva medurs.

### 🚫 OBS

- Kontakta försäljningsavdelningen om det inte är möjligt att åtgärda felet på egen hand.

## Ytterligare information

### Bortskaffande av förpackning

Riktlinjer från myndigheter uppmanar att vi minskar mängden avfall som placeras i deponier. Vi ber dig därför att bortskaffa allt förpackningsavfall på ett ansvarsfullt sätt på allmänna återvinningscentraler.

### Bortskaffande av uttjänt redskap

Vi på Tunturi hoppas att du får många års trevlig användning av ditt träningsredskap. Men det kommer en tid när ditt träningsredskap är uttjänt. Enligt den europeiska WEEE-lagstiftningen, ansvarar du för korrekt bortskaffande av ditt träningsredskap på en allmän återvinningsanläggning.

## Felsökning

### Vibrationsplattan kan inte startas

- Kontakten är inte isatt – sätt i kontakten för att åtgärda felet.
- Strömbrytaren är i Off-läget (Av) – vrid strömbrytaren till On-läget (På).
- Termosäkring har gått – byt ut mot en ny säkring av samma modell.

### Ljud som "pew" eller "da-da" hörs under arbetet

- Detta är normala driftsljud som kommer från motorn på grund av nötningen mellan de mekaniska delarna.

### Styrenheten har startats, men vibrationsplattan fungerar inte.

- Styrenhetens batteriström är låg – byt ut batteriet för att åtgärda problemet.
- Fjärrkontrollen är utanför mottagarnas räckvidd – se till att utrymmet mellan sändaren och mottagaren inte är blockerat och inte är längre än 2,5 meter.

### Enheten stoppar plötsligt

- Förinställd arbetstid används – starta om enheten efter 10 minuters intervall.

### Enheten svarar inte på kommandon

- För många kommandon skickas till enheten under kort tid och de kan därför dessa inte behandlas – starta om enheten, koppla ur nätsladden i minst 5 sekunder och starta sedan enheten igen för att åtgärda problemet.

### Skärmen visar ER01 eller ER02

Problem med motoreffekten och enheterna stannar för att skyddas mot skador. Starta om enheten, dra ur nätsladden i minst 5 sekunder och starta sedan enheten igen för att åtgärda problemet.

## Garanti

### Tunturis ägargarantitunt

#### Garantivillkor

Konsumenten har rätt till tillämpliga lagliga rättigheter som anges i den nationella lagstiftningen om handel med konsumentvaror. Denna garanti begränsar inte dessa rättigheter. Köparens garanti är endast giltig om produkten används i en miljö som är godkänd av Tunturi New Fitness BV och underhålls enligt instruktionerna för den specifika utrustningen. Den produktspecifika godkända miljön och underhållsinstruktionerna anges i produktens "användarhandbok". "Användarhandboken" kan laddas ned från vår webbplats. <http://manuals.tunturi.com>

#### Garantivillkor

Garantivillkoren börjar att gälla från inköpsdatumet. Garantivillkoren kan variera mellan olika länder. Kontakta en lokal återförsäljare om garantivillkoren.

## Garantins omfattning

Oavsett omständigheter, ansvarar inte Tunturi New Fitness BV eller Tunturis återförsäljare för uppkomna personskador som påverkar köparen, och som innebär inkomstförlust eller andra ekonomiska följdverkningar.

## Gegränsningar i garantin

Garantin gäller för arbets- och materialfel, förutsatt att redskapet är i originalmonterat skick. Garantin gäller endast fel som uppstår vid normalt bruk och då den använts enligt Tunturis instruktioner gällande montering, skötsel och användning. Tunturi New Fitness BV och Tunturis återförsäljare ansvarar ej för fel som uppkommer utanför deras kontroll.

Garantin gäller endast redskapets ursprungliga ägare och är gällande endast i de länder där det finns en godkänd Tunturi New Fitness BV återförsäljare.

Garantin gäller ej för redskap eller delar som har ändrats utan Tunturi New Fitness BV:s godkännande. Garantin gäller ej för fel som beror på normalt slitage, felaktig användning, användning i förhållanden som inte är avsett för redskapet, korrosion eller lastnings- och transportskador.

Garantin täcker inte ljud som uppstår under användning såvida dessa inte väsentligt hindrar utrustningens användning eller har orsakas av ett fel i utrustningen.

Garantin gäller inte för underhållsarbete, som rengöring, smörjning eller normal kontroll av komponenterna och inte heller för monteringsarbete som kunden själv kan göra och som inte kräver att redskapet plockas isär/sätts ihop. Det gäller till exempel byte av mätare, trampor eller andra motsvarande enkla delar. Garantireparationer utförda av andra än en godkänd Tunturi-representant, ersätts inte. Ifall instruktionerna i manualen inte följs upphävs produktens garanti.

## Teknisk information

Parameter	Måttenhet	Värde
Hjärtfrekvensmätning tillgänglig via:	handgrepps kontakt 5,3~5,4 kHz. Bluetooth (BLE) ANT+	<input checked="" type="checkbox"/> <input checked="" type="checkbox"/> <input checked="" type="checkbox"/> <input checked="" type="checkbox"/>
Amplitude	mm	10 (±1)
Force	G	
Längd	cm inch	58.0 22.8
Bredd	cm inch	33.0 13.0
Höjd	cm inch	34.0 13.4
Vikt	kg lbs	11.3 24.9
Max användarvikt	kg lbs	150 330
Nätspänning	VAC	210~240
Nätfrekvens	HZ	50~60

## Försäkran från tillverkaren

Tunturi New Fitness BV försäkrar att produkten uppfyller följande standarder och direktiv:  
EN 957 (HC), 2014/30/EU. Produkten är därför CE-märkt.

04-2020

Tunturi New Fitness BV  
Purmerweg 1  
1311 XE Almere  
Nederländerna

## Friskrivning

© 2020 Tunturi New Fitness BV

Alla rättigheter förbehållna.

- Produkten och handboken kan komma att ändras.
- Specifikationer kan ändras utan förvarning.
- På vår webbplats finns den senaste bruksanvisningen.

**Suomeksi**

Tämä suomennettu käyttöohje on käännetty Englannin kielestä. Pidätämme oikeudet mahdollisiin käännösvirheisiin. Käännös tehty virallisen, englanninkielisen version pohjalta.

**Sisältö**

<b>Tervetuloa</b> .....	<b>41</b>
<b>Turvallisuusvarotoimet</b>	
<b>Käyttöympäristö</b> .....	<b>41</b>
<b>Kuvien selitykset</b> .....	<b>42</b>
Kuvan A kuvaus .....	42
Kuvan B kuvaus .....	42
Kuvan C kuvaus .....	42
Kuvan D kuvaus .....	42
<b>Harjoittelu</b> .....	<b>42</b>
Asento .....	42
Ylimääräiset vastusvaijerit.....	42
Istuimen kiinnittäminen runko-osaan.....	42
<b>Ohjauspaneeli</b> .....	<b>43</b>
Painikkeiden selitykset .....	43
Kaukosäädin .....	43
Näytön toimintojen selitykset.....	43
<b>Säilytys ja huolto</b> .....	<b>43</b>
Pinnan puhdistus .....	44
Lisätietoa laitteen omistajalle .....	44
<b>Vianmääritys</b> .....	<b>44</b>
<b>Takuu</b> .....	<b>44</b>
<b>Tekniset tiedot</b> .....	<b>45</b>
<b>Valmistajan vakuutus</b> .....	<b>45</b>
<b>Vastuuvapauslauseke</b> .....	<b>45</b>

**Tervetuloa**

Tervetuloa Tunturi Fitness -maailmaan!  
Kiitämme sinua tämän Tunturi-laitteen ostosta. Tunturi tarjoaa laajan valikoiman ammattimaisia kuntoilulaitteita, mukaan lukien crosstrainerit, juoksumatot, kuntopyörät, soutilaitteet, voimapankit ja moniasemat.  
Tunturi-laite sopii koko perheelle kuntotasosta riippumatta. Katso lisätiedot verkkosivuiltamme [www.tunturi.com](http://www.tunturi.com)

**Tärkeitä turvallisuusohjeita**

Tämä opas on olennainen osa kuntolaitettasi. Perehdy ohjeisiin huolellisesti ennen kuin alat käyttää kuntolaitettasi. Noudata aina seuraavia varotoimia:

**Turvallisuusvarotoimet  
Käyttöympäristö**

- Älä käytä tärinälevyä kosteassa tai pölyisessä ympäristössä, jotta vältät sähköiskun tai mekaanisten osien rikkoutumisen aiheutumisen.
- Älä käytä tärinälevyä, kun sisälämpötila on yli 40 °C.
- Älä käytä tärinälevyä ulkoilmassa tai suorassa auringonvalossa.
- Aseta tärinälevy tasaiselle lattialle.

**⚠ VAARA**

- Odota yksi tunti ennen tärinälevyn käyttöä sen jälkeen, kun se on siirretty alhaisesta lämpötilasta korkeaan, jotta vesihöyry ei pääsisi tiivistymään koneeseen ja aiheuttamaan toimintahäiriötä.

**Tärinälevyn käyttöä ei suositella henkilöille, joilla on alla lueteltuja terveydentiloja.**

- Suosittelemme voimakkaasti keskustelemaan lääkärin kanssa ennen käyttöä, erityisesti, jos olet hoitoa saava potilas tai olet huonovointinen.
- Potilaat, joilla on pahanlaatuinen kasvain.
- Raskauden tai kuukautisten aikana.
- Henkilöt, joilla on sydänsairaus, potilaat, joilla on osteoporoosi.
- Henkilöt, joilla on sydämentahdistin tai muu implantoitu lääkinnällinen elektroninen väline.
- Henkilöt, joilla on tekoraaja.
- Henkilöt, jotka ovat herkkiä tärinälle ja raskaalle liikunnalle.

**© Ilmoitukset toiminnan aikana**

- Riisu kello, rannekorut, matkapuhelin tai muut arvoesineet sekä avaimet, terät tai muut viiltävät esineet ennen käyttöä henkilövahinkojen ja vaurioiden estämiseksi.
- Älä tupakoi tärinälevyn käytön aikana.
- Älä käytä tärinälevyä yhdessä muiden lääkinnällisten laitteiden kanssa.
- Älä käytä tärinälevyä lääkinnälliseen hoitotarkoitukseen.
- Älä käytä tärinälevyä heti aterian tai juoman nauttimisen jälkeen.
- Pidä lapset ja/tai lemmikit aina loitolla tärinälevystä käytön aikana.
- Sormien tai muiden vierasesineiden laitto keski- ja pohjakannen väliseen aukkoon on kiellettyä.
- Alle 10-vuotiaita lapsia ja yli 60-vuotiaita on valvottava tärinälevyn käytön aikana.
- Tärinälevyn kuormankantokyky on 150kg (330lbs). Tätä enemmän painaville henkilöille ei suositella tärinälevyn käyttöä.
- Tätä tärinälevyä saa käyttää vain yksi henkilö kerrallaan.

**⚠ VAROITUS**

- Luvaton purkaminen, hajottaminen osiin tai kunnostus ei ole sallittua, jotta estetään sähköiskun tai toimintahäiriöiden aiheutuminen. Ota yhteyttä valmistajaan tai paikalliseen jälleenmyyjään heti, jos huoltotyötä tarvitaan.

**Lopeta heti tärinälevyn käyttö ja irrota virtajohto virtalähteestä alla esitettyissä olosuhteissa.**

- Vesi tai muu neste, jota on vahingossa läikytetty tärinälevylle tai kaukosäätimelle.



- Jos jokin lisävaruste on vaurioitunut tai sisäinen komponentti tullut näkyviin.
- Epänormaali olo tai vakava kipu käytön aikana.
- Virtakatkos.
- Ukkonen tai salamointi.

### Pistoke ja virtajohto

- Tarkista, että jännite noudattaa tärinälevyissä määritettyä jännitettä.
- Älä vedä virtajohtoa sisään märällä kädellä, jotta estettäisiin sähköiskun aiheutuminen.
- Pidä kiinni pistokkeesta eikä virtajohdosta, kun vedät virtajohtoa irti.
- Kytke virtakytkin pois päältä ja irrota pistoke virransyötöstä sähkövian tapauksessa tai jos laitetta ei käytetä pitkään aikaan.
- Lopeta tärinälevyn käyttö, jos virtajohto on vahingoittunut. Kytke virtakytkin pois päältä ja vaihda virtajohto tai ota yhteyttä asentajaan sen korjaamiseksi.
- Älä vie virtajohtoa laitteen alitse. Älä laita virtajohtoa maton alle. Älä laita virtajohdon päälle mitään esineitä.

## Kuvien selitykset

### Kuvan A kuvaus

Kuvassa on esitetty, mitä komponentteja ja osia sinun tulisi löytää poistaessasi tuotteen pakkauksesta.

#### !! HUOMAUTUS

- Pienet osat voivat olla piilossa / pakattuina Styrofoam-tuotesuojan koloihin.
- Jos jokin osa puuttuu, ota yhteyttä jälleenmyyjään.

### Kuvan B kuvaus

Kuvassa on esitetty, miten kahvat asennetaan istuintyyntyn runkoon.

#### !! HUOMAUTUS

- Tässä asennuksessa tarvittava ruuvitaltta ei ole mukana pakkauksessa.

### Kuvan C kuvaus

Kuvassa näkyy ohjauspaneelin painikkeen päällisyys ja kauko-ohjain.

### Kuvan D kuvaus

Kuvissa näkyvät ennalta ohjelmoidut ohjelmaprofiilit.

## Harjoittelu

Suosittelava harjoittelutiheys on 2 - 3 kertaa viikossa. Venyttely- ja rentoutusliikkeitä voidaan tehdä useammin. Harjoittelu tulisi tehdä omassa tahdissa, kuten kaikki muukin (aerobinen) harjoittelu. Aloita harjoittelu kevyesti ja lisää rasiustasoa sen mukaan, miltä harjoittelu tuntuu.

### Asento

- Harjoittelun tulisi yleensä ottaa tuntua mukavalta.
- Pidä selkä koko ajan suorana, älä "riipu" laitteesta.

- Varsinaiset harjoitukset ja venytykset tulisi tehdä "aktiivisesti". Hierontaa ja rentoutusta voit käyttää lihasjännityksen vähentämiseen.
- Jännitä harjoittelun aikana vatsalhaksia, sillä se tekee harjoittelusta tehokkaampaa.
- Älä yliojenna niveliä harjoittelun aikana, ja pidä polvet koko ajan vähän koukussa. Tärinän tulisi tuntua lihaksissa eikä nivelissä.

#### ⚠ VAROITUS

- Jos tunnet hyvin voimakasta tärinää päässä asti, asentosi on väärä.

### Ylimääräiset vastusvaijerit

Harjoituslaitteessa on ylimääräiset vastusvaijerit, joiden avulla voit tehostaa tai vaihdella harjoittelua haluamallasi tavalla.

#### ⚠ VAROITUS

- Ylimääräisiä vastusvaijereita saa käyttää vain laitteen päällä seistessä. Näin vältetään koko laitteen nostaminen ja siten mahdolliset iskusta aiheutuvat laitevauriot laitteen laskeutuessa uudelleen.

### Ylimääräisten vastusvaijerien kiinnittäminen

- Tartu ylimääräisen vastusvaijerin lenkkiin ja vie se harjoituslaitteen edessä alhaalla olevan renkaan/kiinnikkeen läpi.
- Vie ylimääräisen vastusvaijerin kahva vaijerin lenkin läpi ja vedä tiukalle, jotta kiinnitys on helposti irrotettava, mutta tukeva.
- Kumpaankin kahdesta käytettävissä olevasta renkaasta saa kiinnittää vain yhden ylimääräisen vastusvaijerin.
- Poista vaijerit päinvastaisessa järjestyksessä.

### Vastusvaijerien pituuden säätäminen

Voit säätää vastusvaijerien pituuden vartalosi pituuden mukaan.

- Säädä vastusvaijerin pituutta työntämällä vaijeri käsikahvan puolella olevan liukukappaleen läpi ja vedä se taas tiukalle kahvan läpi.

### Istuimen kiinnittäminen runko-osaan

Jotta istuin voidaan kiinnittää runko-osaan, istuinpinnan suojuukset on avattava ensin, jotta istuimen kahvojen kiinnitystaskut vapautuvat. Aseta istuin taskujen päälle ja työnnä sitä sisään, jotta se pysyy paikallaan.

Kun istuin irrotetaan taas runko-osasta, vedä istuinta ulos ja estä samalla runko-osan nouseminen.

Varmista, että istuimen kahvojen kiinnitystaskut on suljettu istuinpinnan suojuksilla, kun istuinta ei ole asennettu.

#### !! HUOMAUTUS

- Kiinnitys ei ole tiukka, joten kiinnitettyä istuinta ei voi käyttää tuotteen kahvana laitteen nostamiseen.

Istuinta voi käyttää eri tavoin harjoittelussa.

## Ohjauspaneeli

### Painikkeiden selitykset

#### Power (Virta):

Paina painiketta virran kytkeytyessä. LCD-näytölle avautuu "00" "10", ja laite vaihtelee "päällä-tilan" ja "valmiustilan" välillä.

#### "P", "P1" "P2" "P3" (Autom. ohjelmat)

Paina automaattisen ohjelman painiketta käynnistääksesi nopeasti valmiiksi ohjelmoidun profiilin.

#### (Start/Pause) (Käynnistys/Tauko)

- Paina painiketta tärinälevyn käynnistämiseksi.
- Kun kone on käynnissä, paina tätä painiketta toiminnan pysäyttämiseksi.

#### **S ▲ (speed +)**

Nopeuden lisääminen: Manuaaliohjelma 1–30. ( $\pm 1$ )

- Paina tätä painiketta, kun haluat lisätä nopeutta koneen toiminnan aikana.

#### **S ▼ (speed -)**

Nopeuden vähentäminen: Manuaaliohjelma 1–30. ( $\pm 1$ )

- Paina tätä painiketta, kun haluat vähentää nopeutta koneen toiminnan aikana.

#### **T ▲ (time +)**

Ajan lisääminen:

Oletustoiminta-aika on 10 minuuttia 10 tasolle jaettuna.

Paina tätä painiketta lisätäksesi aikaa. ( $\pm 1$  minuutti)

#### **T ▼ (time -)**

Ajan vähentäminen: oletustoiminta-aika on 10 minuuttia 10 tasolle jaettuna.

Paina tätä painiketta, kun haluat vähentää aikaa.

#### "10" "15" "20" (Manuaaliohjelman pikapainike)

Paina manuaaliohjelman pikapainiketta aloittaaksesi manuaalisen treenin nopeasti valmiiksi asetetulla ajalla.

#### HUOMAUTUS

- Kaukosäätimen signaalin tehokas vastaanottoalue on 2,5 metriä. Säätimen lähettävä infrapunaimaisin pitää kohdistaa tärinälevyn vastaanottavan infrapunaikkunan kanssa.

### Kaukosäädin

Kaukosäädin toimitetaan ilman paristoja, ja paristot on ostettava ja asennettava ennen käyttöä.

Kaukosäädin vaatii 2 kpl. AAA-kokoisia paristoja.

#### Paristojen asentaminen / vaihtaminen

- Irrota kansi. (Sijaitsee takapuolella).
- Poista vanhat paristot.  
Pätee vain, kun paristot vaihdetaan uusiin.
- Aseta uudet paristot paikoilleen.  
Varmista, että paristot vastaavat napaisuusmerkintöjä (+) ja (-).
- Asenna kansi.

#### HUOMAUTUS

- Tyhjat paristot tulee aina kierrättää paikallisten lakien mukaisesti ympäristön suojelemiseksi.

#### VAROITUS

- Älä altista paristoja suurille lämpötilamuutoksille estääksesi niiden vuodot.
- Estä paristojen vuotaminen ottamalla ne pois laitteesta, jos aiott olla käyttämättä laitetta pidempään aikaan.
- Kun asetat laitteeseen useita paristoja, käytä aina samaa merkkiä, samaa tyyppiä ja samaa virtatasoa.

#### Painiketoiminnot

Kaukosäätimen painiketoiminnot vastaavat pääyksikön näyttöpainikkeita, joten niillä on samat toiminnot.

Kaukosäädin toimii infrapunaprotokollalla.

Siksi se vaatii vapaata ilmatilaa kaukosäätimen lähettimen ja konsolin vastaanottimen väliin toimiakseen kunnolla.

### Näytön toimintojen selitykset

#### Speed (nopeus)

- Näyttää harjoituksen senhetkisen värähdystaajuusasetuksen.
- Alue on: 1 ~ 30

#### HUOMAUTUS

Speed level	Motor RPM	Formula	Hz
Speed 1	500	500/ 60	8.33
Speed 2	510	510/ 60	8.50
Speed 29	790	790/ 60	13.17
Speed 30	800	800/ 60	13.33

Speed level	Nopeuden taso
Motor RPM	Moottorin rpm
Formula	laskentakaava
Hz	Hertsiä

#### Time/ Program

- Näyttää jäljellä olevan ajan laskuritulassa.
- Näyttää tavoiteajan ohjelmointitulassa. Näyttää ohjelmavalinnan ohjelmointitulassa.

### Säilytys ja huolto

#### VAROITUS

- Varmista ennen puhdistusta, että virtakytkin on kytketty pois päältä ja kiinnityspistoke on irrotettu pistorasiasta.
- Kuminen suojamatto ja kannet voidaan puhdistaa märällä liinalla, jossa on puhdistusainetta, ja puhdistusaine on poistettava liinalla.  
Huomautus:
- Älä puhdistaa tärinälevyä syövyttävällä puhdistusaineella, kuten bentseenillä tai ohenteella, koska nämä voivat aiheuttaa värimuutoksia, syöpymiä tai halkeamia tärinälevyn koteloon.
- Älä roiskuta vettä tärinälevylle, jotta et aiheuttaisi oikosulkua.

### ⚠ HUOMIO

- Älä kanna tätä laitetta virtajohdosta tai käytä johtoa kantokahvana.

### Pinnan puhdistus

---

#### Kaukosäätimen puhdistus

Koska märkä liina voi aiheuttaa kaukosäätimen toimintahäiriöitä, vain kuivaa liinaa saa käyttää.

Suosittelemme ensin irrottamaan pariston kaukosäädintä puhdistettaessa.

#### Säilytys ja huolto

- Varmista, että virtakytkin on kytketty pois päältä ja pistoke on irrotettu virransyötöstä.
- Puhdista pöly ja lika tärinälevystä ja pidä se puhtaana ja poissa paikoissa, joissa lämpötila tai kosteus voi nousta korkeaksi.
- Jos tärinälevy ei käytetä pitkään aikaan, pölynkestävää kantta (osta se itse) on käytettävä tärinälevyn päällä pölyn sisäänpääsyn estämiseksi.

Sulakkeen vaihto: käännä sulakkeen kantaa nuolen osoittamaan suuntaan (vastapäivään) ja vaihda sulake ruuvaamalla sulakkeen kanta takaisin myötäpäivään.

### 🛠 HUOMAUTUS

- Ota yhteyttä myynninjälkeiseen asiakastukeen, jos kuluttajat eivät itse pysty korjaamaan toimintahäiriötä.

### Lisätietoa laitteen omistajalle

---

#### Pakkauksen hävittäminen

Lainsäädäntö ohjeistaa meitä vähentämään kaatopaikoille toimitetun jätteen määrää. Sen vuoksi pyydämme sinua toimittamaan kaikki pakkausjätteet sitä varten tarkoitettuun kierrätyspisteeseen.

#### Laitteen hävittäminen käyttöiän päättyessä

Me Tunturilla toivomme, että iloiset kuntolaitteestasi vuosia. Jokainen kuntolaite tulee kuitenkin aikanaan oman käyttöikänsä loppuun. Kotitalouksien sähkö- ja elektroniikkalaiteromua käsittelevien eurooppalaisten määräysten (WEEE) mukaan sinun kuuluu toimittaa kuntolaitteesi sitä varten tarkoitettuun keräyspaikkaan.

### Vianmääritys

---

#### Tärinälevy ei käynnisty

- Pistoke ei ole paikallaan. Aseta pistoke pistorasiaan.
- Virtakytkin on off-tilassa (pois päältä). Kytke virtakytkin ON-tilaan (päälle).
- Lämpösulake on palanut. Vaihda uuteen ja samanmalliseen sulakkeeseen.

#### Toiminnan aikana kuuluu viheltävää tai nakuttavaa ääntä

- Nämä ovat normaaleita toimintääniä, joita moottori tuottaa mekaanisten osien hankaamisen vuoksi.

#### Kaukosäädintä käytetään, mutta tärinälevy ei tee mitään.

- Kaukosäätimen paristoteho on alhainen. Vaihda paristo.
- Kaukosäädin on poissa vastaanottimen ulottuvuusalueelta. Varmista, että tilassa lähettimen ja vastaanottimen välillä ei ole esteitä ja että välimatka ei ole yli 2,5 metriä.

#### Laitteen äkillinen pysähtyminen

- Oletus- tai valmiiksi ohjelmoitu toiminta-aika on loppunut. Käynnistä laite uudestaan 10 minuutin välein.

#### Laite ei vastaa komentoja

- Laitteeseen on lähetetty liian monta komentoa lyhyessä ajassa, eikä se pysty käsittelemään niitä samanaikaisesti. Käynnistä laite uudestaan irrottamalla virtajohto vähintään 5 sekunniksi ja käynnistämällä laite.

#### Näyttö näyttää ER01 tai ER02

Moottorin teho-ongelma ja laitteet pysähtyvät suojautuakseen vaurioilta. Käynnistä laite uudestaan irrottamalla virtajohto vähintään 5 sekunniksi ja käynnistämällä laite.

### Takuu

---

#### Tunturi-kuntolaitteen omistajan takuu

##### Takuuehdot

Kuluttaja on oikeutettu soveltuviin, kansallisessa kuluttajatuotteiden kauppaa koskevassa lainsäädännössä mainittuihin lakisääteisiin oikeuksiin. Tämä takuu ei rajoita näitä oikeuksia. Ostajan takuu on voimassa vain, jos tuotetta käytetään ympäristössä, jonka Tunturi New Fitness BV on kyseiselle laitteelle hyväksynyt. Kunkin tuotteen sallitut käyttöympäristöt ja huolto-ohjeet on esitetty tuotteen käyttöohjeessa. Käyttöohje on ladattavissa verkkosivustoltamme. <http://manuals.tunturi.com>

##### Takuuehdot

Takuuehdot tulevat voimaan tuotteen ostopäivästä lukien. Takuuehdot voivat olla erilaiset eri maissa, joten pyydä takuuehdot paikalliselta jälleenmyyjältä.

##### Takuun kattavuus

Missään olosuhteissa Tunturi New Fitness BV tai Tunturi-jälleenmyyjä ei vastaa ostajalle mahdollisesti aiheutuvista välillisistä vahingoista, kuten käyttöhyödyn tai tulojen menetyksestä taikka muista taloudellisista seurausvahingoista.

##### Takuun rajoitukset

Takuu kattaa työstä ja materiaalista johtuvat virheet kuntolaitteessa, joka on alkuperäisessä kokoonpanossaan.

Takuu koskee vain virheitä, jotka ilmenevät normaalissa ja laitteen mukana tulleen ohjekirjan mukaisessa käytössä edellyttäen, että Tunturin asennus-, huolto- ja käyttöohjeita on noudatettu. Tunturi New Fitness BV:n ja Tunturin jälleenmyyjät eivät vastaa virheistä, jotka aiheutuvat heidän vaikutusmahdollisuuksiensa ulkopuolella olevista seikoista. Takuu on voimassa vain niissä maissa, joissa Tunturi New Fitness BV:llä on valtuutettu maahantuoja. Takuu ei koske sellaisia kuntolaitteita tai osia, joita on muutettu ilman Tunturi New Fitness BV:n suostumusta. Takuu ei koske virheitä, jotka johtuvat luonnollisesta kulumisesta, virheellisestä käytöstä, käytöstä olosuhteissa, joihin kuntolaitetta ei ole tarkoitettu, korroosiosta tai lastaus- tai kuljetusvahingoista.

Takuu ei koske käyttöäniä, jotka eivät olennaisesti haittaa laitteen käyttöä eivätkä johdu laitteesta olevasta virheestä.

Takuu ei myöskään sisällä kunnossapitotoimenpiteitä, kuten puhdistusta, voitelua tai sen osien normaalia tarkistamista, eikä sellaisia asennustoimenpiteitä, jotka asiakas voi suorittaa itse ja jotka eivät edellytä erityistä kuntolaitteen purkamista / kokeamista. Tällaisia toimenpiteitä ovat esim. mittareiden, polkimien tai muiden vastaavien yksinkertaisten osien vaihdot. Muun kuin valtuutetun Tunturi-edustajan suorittamia takuukorjauksia ei korvata. Laitteen käyttöohjeen noudattamatta jättäminen aiheuttaa takuun raukeamisen.

## Tekniset tiedot

Parametri	Mittayksikkö	Arvo
Syke voidaan mitata seuraavasti:	käsikahvojen anturit 5,3~ 5,4 Khz. Bluetooth (BLE) ANT+	<input checked="" type="checkbox"/> <input checked="" type="checkbox"/> <input checked="" type="checkbox"/> <input checked="" type="checkbox"/>
Amplitude	mm	10 (±1)
Force	G	
Pituus	cm inch	58.0 22.8
Leveys	cm inch	33.0 13.0
Korkeus	cm inch	34.0 13.4
Paino	kg lbs	11.3 24.9
Suurin sallittu käyttäjän paino	kg lbs	150 330
Sähkölähteen jännite	VAC	210~240
Sähkölähteen taajuus	HZ	50~60

## Valmistajan vakuutus

Tunturi New Fitness BV vakuuttaa tuotteen täyttävän seuraavien standardien ja direktiivien vaatimukset: EN 957 (HC), 2014/30/EU. Tässä tuotteessa on sen vuoksi CE-merkki..

04-2020

Tunturi New Fitness BV  
Purmerweg 1  
1311 XE Almere  
Alankomaat

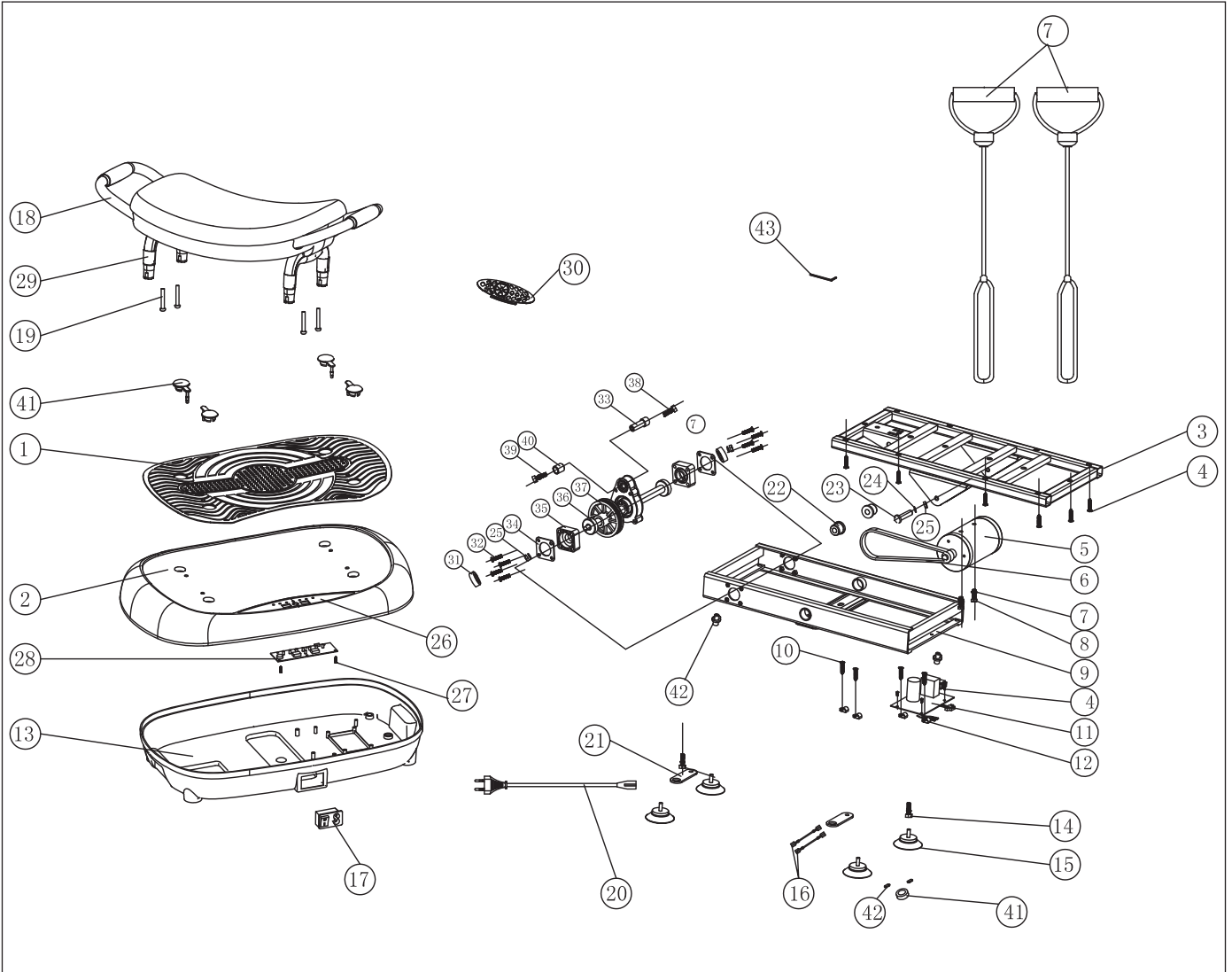
## Vastuuvapauslauseke

© 2020 Tunturi New Fitness BV  
Kaikki oikeudet pidätetään.

- Tuote ja käyttöopas saattavat muuttua.
- Teknisiä tietoja saatetaan muuttaa ilman eri ilmoitusta.
- Katso käyttöohjeiden uusin versio verkkosivustoltamme.



# Cardio Fit V10



1	Foot Pedal cover		1
2	Upper cover		1
3	Main plate		1
4	Philip screw	ST 4*12	18
5	oscillation motor		1
6	Belt		1
7	Resistance rope		2
8	screw	M8*14	2
9	Main frame		1
10	Philip screw	ST3*12	4
11	Lower controller board		1
12	4R type clamp		4
13	Bottom Cover		4
14	Philip screw	ST4*20	2
15	Foot cushion		4
16	Electrical wire A+B		1
17	Power socket and switch ( fuse included)		1
18	Seat cushion		1
19	screw	M6*35	4
20	Power cord		1
21	sheet iron for ropes		2
22	Plastic support plug		2
23	Axle A	Ø8	2
24	Flat washer		2
25	Nylon nut	M8	4
26	Console panel		1
27	Philip screw	ST3*6	4
28	Console board		1
29	handle		2
30	Remote control		1
31	Bearing plug	6201	2
32	screw	M5*25	8
33	Axle of link block		1
34	Cover of axle bracket		2
35	Main Axle bracket		2
36	Bearing	6201	2
37	Flywheel		1
38	Spring washer	Ø8	6
39	screw	M8*20	2
40	Bushing		1
41	Surface cap		4
42	nonconductor		2
43	L type internal hexagonal wrench	M5*31*126	1







**TUNTURI**<sup>®</sup>

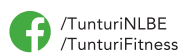
**FEEL BETTER EVERY DAY**

**TUNTURI NEW FITNESS B.V.**

Purmerweg 1  
1311 XE Almere  
The Netherlands

P.O. Box 60001  
1320 AA Almere  
The Netherlands

info@tunturi.com  
www.tunturi.com



20220408-W